





# ADE-6F armored cable glands

IECEX/ATEX  
IP66/IP68

1G

## Cable types:

- Steel wire armored cable (SWA) 
- Steel wire braided cable (SWB) 
- Steel tape armored cable (STA) 
- Braided marine shipboard cable; Type P cable 

## Standard materials:

- Nickel-plated brass for superior corrosion resistance
- 316L stainless steel, bronze and aluminum (optional); it is recommended that a suitable lubricant be used on all threads of stainless steel and aluminum versions

## Ingress protection (IP):

- IP66/IP68 according to the method of attachment and the condition of the equipment area; equipped with deluge seal

## Certifications and compliances:



### ATEX Certificate No.: INERIS12ATEX0032X

- Zones 1 & 2, Groups IIA, IIB, IIC
- Zones 21 & 22, Groups IIIA, IIIB, IIIC
- II2GD / Ex db IIC / Ex eb IIC / Ex tb IIIC
- II3G Ex nRc IIC


### IECEX Certificate No.: IECEX INE 12.0025X

- Zones 1 & 2, Groups IIA, IIB, IIC
- Zones 21 & 22, Groups IIIA, IIIB, IIIC
- Ex db IIC / Ex eb IIC / Ex nRc IIC / Ex tb IIIC

### UL certifications:

 **3DJN E310130, Class I, Zone 2A, AEx e II, Ex e II**

- ADE sizes 4 to 17, 1/2" to 4" NPT or ISO 20 to 110 with armored cable types ITC, MV, PLTC, TC-ER, TC-ER-HL, TC

 **3LRC E314047, Class I, Zone 2A, AEx e II, Ex e II**

- ADE sizes 4 to 17, 1/2" to 4" NPT or ISO 20 to 110 with armored marine cable

### Other certifications:

- CEPEL 05.0559X
- CCoE P360379-1
- KOSHA 2015-BO-0483 to 0490
- NANIO TC-RU C-FR. 1605.B.00858
- NEPSI GYJ13.1082X

### Shipping application:

- ABS 14-HS1274083-PDA
- BV 40910/A0 BV
- DNV TAE000010X
- Lloyd's 11/00072
- DTS-01:1991 compliant

## Operating temperature:

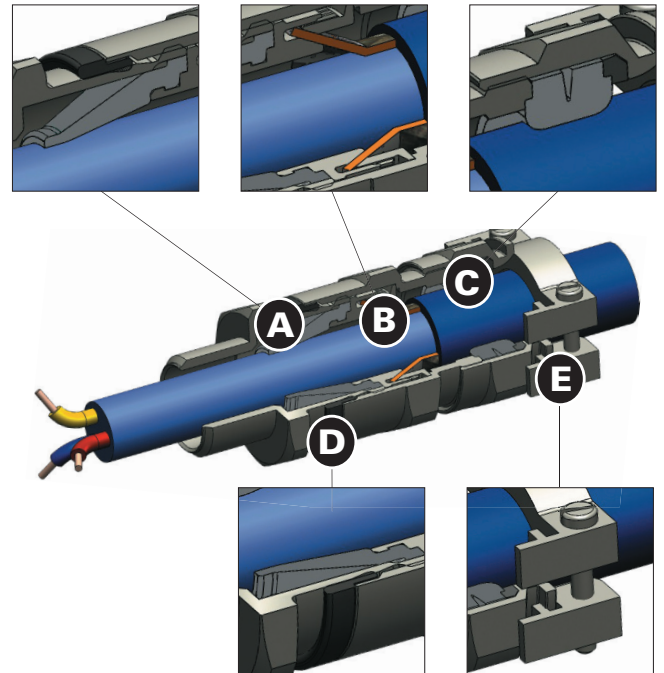
- -60°C to +80°C

**A** Can be used in Division 2, provided that the enclosure contains no components that produce arcs or sparks.



### With inspectable clamping for wire or braid

Ensures 100% clamping of the armor of armored cables. With braided cables, the user must provide additional clamping – we recommend using the certified ADE clamping module.



## Features:

- (A) Specifically formulated diaphragm seal** – offers cold flow protection when required and sealing on cable inner sheath
- (B) Universal clamping design** – for earthing and bonding of armor shield; provides mechanical strength and is suitable for all armor shield types, with no requirement to reverse components that may introduce risk of incorrect installation; fully inspectable
- (C) Specifically formulated elastomer** – used on the outer sheath of the cable to provide IP66 or IP68 moisture ingress protection
- (D) Deluge performance** – to avoid water ingress through the thread
- (E) Optional external clamp** – provides additional external strain relief for rugged applications

## Ordering information:

Part number example  
**ADE6M253NPSK1**

# ADE6

# M25

# 3

# NPS

# K1

### Hub size

NPT	Hub	Metric	Hub
N038	3/8"	M16	16mm
N050	1/2"	M20	20mm
N075	3/4"	M25	25mm
N100	1"	M32	32mm
N125	1 1/4"	M40	40mm
N150	1 1/2"	M50	50mm
N200	2"		

### Cable sealing range

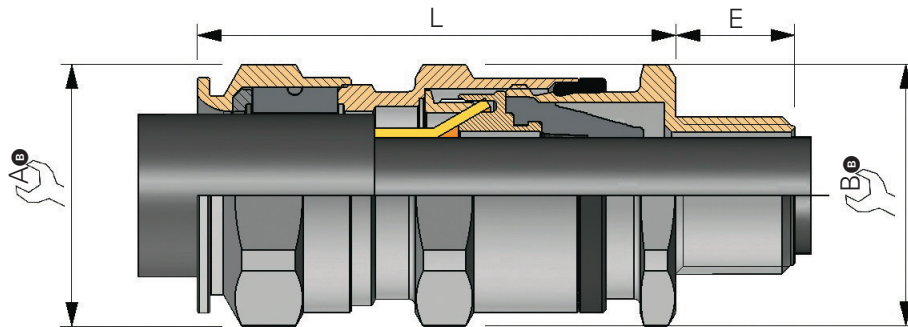
0	Extra small
1	Small
2	Medium
3	Large

### Material

NPS	Nickel-plated brass
SSS	Stainless steel
BZS	Bronze
ALS	Aluminum

### Accessory kits (see page 228)

BLANK	No kit
K1	Locknut, green composite washer
K2	Locknut, green composite washer, earth tag, shroud
K3	Locknut, green composite washer, earth tag, serrated washer



NPT thread size	Cat. # NPT	Metric thread size	Cat. # Metric	Cable sealing range inner sheath		Cable sealing range outer sheath		Armor		Length (L)	E (NPT)	E (Metric)	Gland size	
				Min.	Max.	Min.	Max.	Min.	Max.					
3/8" <b>C</b>	ADE6N0383NPS	M16 <b>C</b>	ADE6M163NPS	0.14 (3.5)	0.30 (7.5)	0.28 (7.0)	0.47 (12.0)	0.01 (0.2)	0.04 (0.9)	0.75 (19.0)	1.87 (47.5)	0.65 (16.6)	0.59 (15.0)	5
1/2"	ADE6N0501NPS	M20	ADE6M201NPS	0.14 (3.5)	0.30 (7.5)	0.28 (7.0)	0.47 (12.0)	0.01 (0.2)	0.04 (0.9)	0.75 (19.0)	1.87 (47.5)	0.87 (22.2)	0.59 (15.0)	5
1/2"	ADE6N0502NPS	M20	ADE6M202NPS	0.26 (6.5)	0.43 (11.0)	0.39 (10.0)	0.63 (16.0)	0.01 (0.2)	0.05 (1.3)	0.94 (24.0)	2.15 (54.5)	0.87 (22.2)	0.59 (15.0)	6
1/2"	ADE6N0503NPS	M20	ADE6M203NPS	0.35 (9.0)	0.57 (14.5)	0.53 (13.5)	0.83 (21.0)	0.01 (0.2)	0.05 (1.3)	1.18 (30.0)	2.38 (60.5)	0.87 (22.2)	0.59 (15.0)	7
3/4"	ADE6N0752NPS	M25	ADE6M252NPS	0.35 (9.0)	0.57 (14.5)	0.53 (13.5)	0.83 (21.0)	0.01 (0.2)	0.05 (1.3)	1.18 (30.0)	2.38 (60.5)	0.89 (22.5)	0.59 (15.0)	7
3/4"	ADE6N0753NPS	M25	ADE6M253NPS	0.47 (12.0)	0.77 (19.5)	0.71 (18.0)	1.08 (27.5)	0.01 (0.2)	0.06 (1.6)	1.61 (41.0)	2.91 (74.0)	0.89 (22.5)	0.59 (15.0)	8
1"	ADE6N1002NPS	M32	ADE6M322NPS	0.47 (12.0)	0.77 (19.5)	0.71 (18.0)	1.08 (27.5)	0.01 (0.2)	0.06 (1.6)	1.61 (41.0)	2.91 (74.0)	1.07 (27.3)	0.59 (15.0)	8
1"	ADE6N1003NPS	M32	ADE6M323NPS	0.69 (17.5)	1.02 (26.0)	0.91 (23.0)	1.34 (34.0)	0.01 (0.2)	0.06 (1.6)	1.89 (48.0)	3.27 (83.0)	1.07 (27.3)	0.59 (15.0)	9
1 1/4"	ADE6N1252NPS	M40	ADE6M402NPS	0.69 (17.5)	1.02 (26.0)	0.91 (23.0)	1.34 (34.0)	0.01 (0.2)	0.06 (1.6)	1.89 (48.0)	3.27 (83.0)	1.10 (28.0)	0.59 (15.0)	9
1 1/4"	ADE6N1253NPS	M40	ADE6M403NPS	0.91 (23.0)	1.30 (33.0)	1.14 (29.0)	1.61 (41.0)	0.01 (0.2)	0.08 (2.0)	2.17 (55.0)	3.62 (92.0)	1.10 (28.0)	0.59 (15.0)	10
1 1/2"	ADE6N1502NPS	M50	ADE6M502NPS	0.91 (23.0)	1.30 (33.0)	1.14 (29.0)	1.61 (41.0)	0.01 (0.2)	0.08 (2.0)	2.17 (55.0)	3.62 (92.0)	1.12 (28.5)	0.63 (16.0)	10
2"	ADE6N2003NPS	M50	ADE6M503NPS	1.12 (28.5)	1.61 (41.0)	1.38 (35.0)	1.89 (48.0)	0.01 (0.2)	0.10 (2.5)	2.52 (64.0)	4.09 (104.0)	1.15 (29.2)	0.63 (16.0)	11

Catalog numbers are for nickel-plated brass; refer to part number builder above for other options.

Dimensions shown in inches (millimeters).

**B** For across corners dimensions, multiply across flats dimensions by 1.1.

**C** Not UL certified.