

QA / QS SERIES HALOGEN LUMINAIRES

Installation & Maintenance Information

IF LBL1216

SAVE THESE INSTRUCTIONS FOR FUTURE REFERENCE

CAUTION Read carefully before installing and wiring the luminaire. Check the ratings to insure suitability for the area. Must be installed in accordance with the NEC (National Electrical Code) and all other applicable codes. Any warning or special instructions should be closely followed. Marine installations on boats should be done in accordance with the regulations of the USCG, CFR46, SUB CHAPTER J, PARTS 110-113.

All luminaires must be properly grounded. These luminaires are not suitable for hazardous locations. These luminaires are provided with one watertight cable gland and six feet of 16/3 cable (1603 & 1605) or 14/3 cable (1610 & 1615). Do not attempt to install this luminaire unless you are familiar with warnings, cautions and procedures outlined in this information sheet.

INSTALLATION & ELECTRICAL WIRING

WARNING Risk of electrical shock hazard, only qualified personnel should conduct this procedure! Do not make electrical connections or service with the power ON. Disconnect supply circuit at least 30 minutes before opening fixture.

1. Select proper anchor and surface to support luminaire. Mark surface and prepare it to accept the fixture yoke (1B) using the mounting hole dimensions shown below.
2. Using 1/4" (1603 & 1605) or 3/8" (1610 & 1615) minimum diameter fasteners (Qty. 2x not provided), mount the fixture yoke (1B) to the prepared surface. Fasteners should include washers and lock washers or locknuts to eliminate loosening during vibration. Make sure that the fasteners are corrosion resistant, if necessary. Securely tighten the mounting fasteners.
3. Install the free end of the supplied power cable (9A) into an approved and appropriate junction box.
4. Connect L1 or hot lead to black wire. Connect L2 or neutral to the common white wire. Connect ground wire to green ground wire.

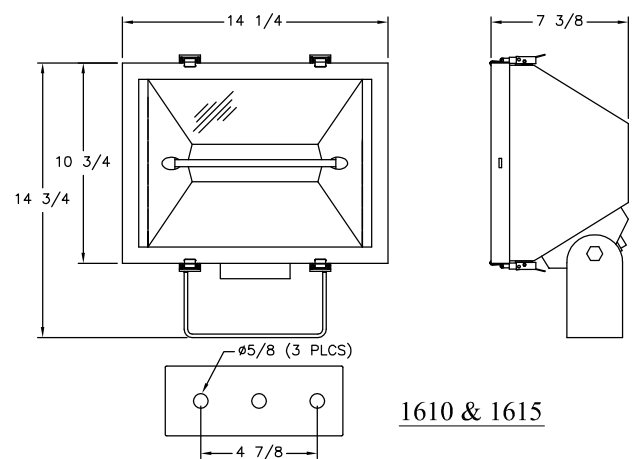
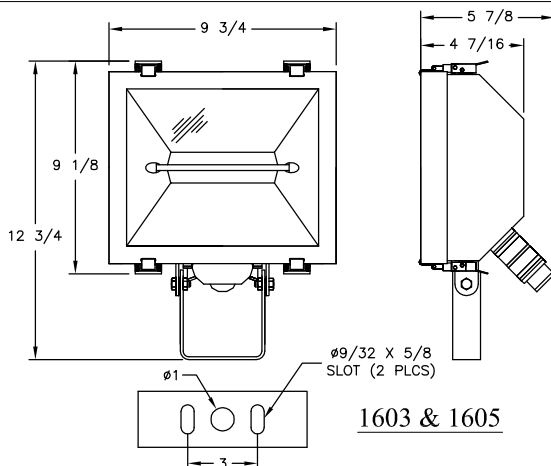
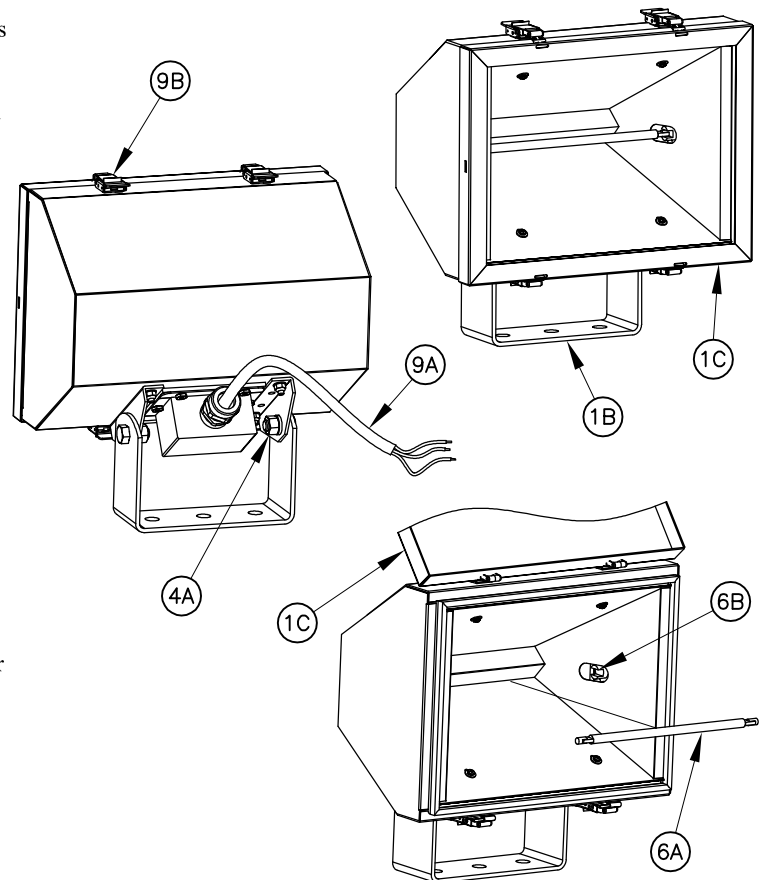
CAUTION See nameplate for voltage & frequency requirements!
If supply cable (9A) is replaced: Use cu or cu clad wire only, see product label for wire temperature rating. Use proper cable gland grommet for a watertight seal around cable (9A).

5. Open lens frame (1C) by releasing each latches (9B) (qty. 4x). Disengage lower latches (9B) (qty. 2x) and rotate lens frame (1C).
6. Carefully remove lamp (6A) from lampholder (6B).
7. Engage one end of new lamp (6A) to indicated lampholder (6B) then other end. Making sure lamp is properly engage.
8. Replace lens frame (1C) engage and close each latches (9B) (qty. 4x).

AIMING

CAUTION Do not aim fixture toward combustible surface. If aiming position must be readjusted, use caution, as external surfaces may become extremely hot.

9. Loosen yoke locking nuts (4A) (qty. 2x), aim to desired angle, and securely tighten both nuts (4A).



All statements, technical information and recommendations contained herein are based on information and tests we believe to be reliable. The accuracy or completeness thereof are not guaranteed. In accordance with Crouse-Hinds "Terms and Conditions of Sale", and since conditions of use are outside our control, the purchaser should determine the suitability of the product for his intended use and assumes all risk and liability whatsoever in connection therewith.