

1136 / 1137 / 1138 / 1139 SERIES INCANDESCENT & FLUORESCENT LUMINAIRES

Installation & Maintenance Information

SAVE THESE INSTRUCTIONS FOR FUTURE REFERENCE

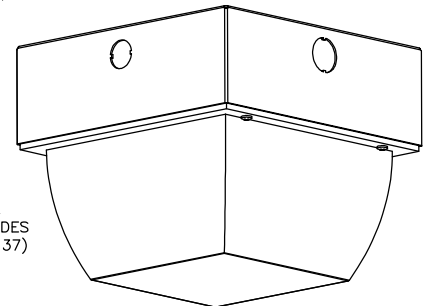
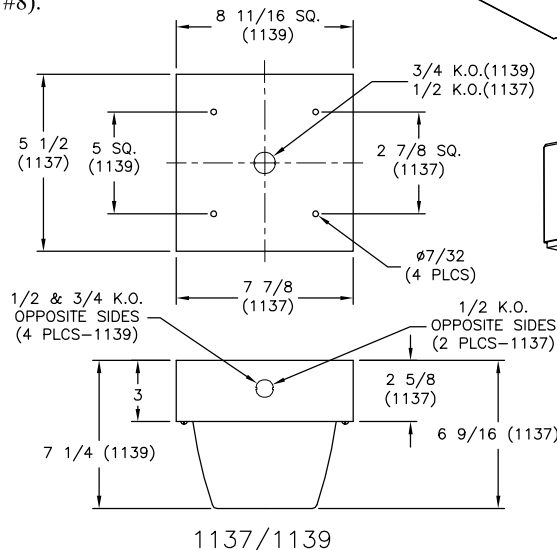
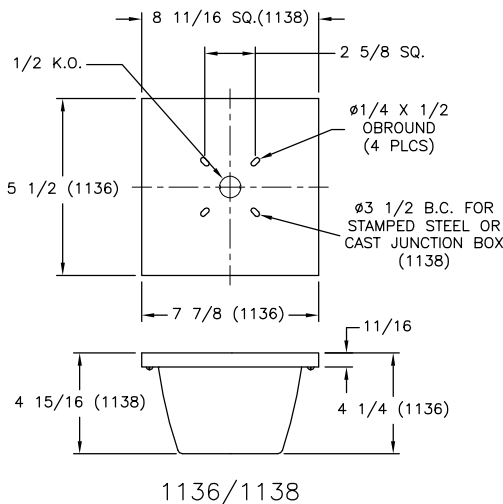
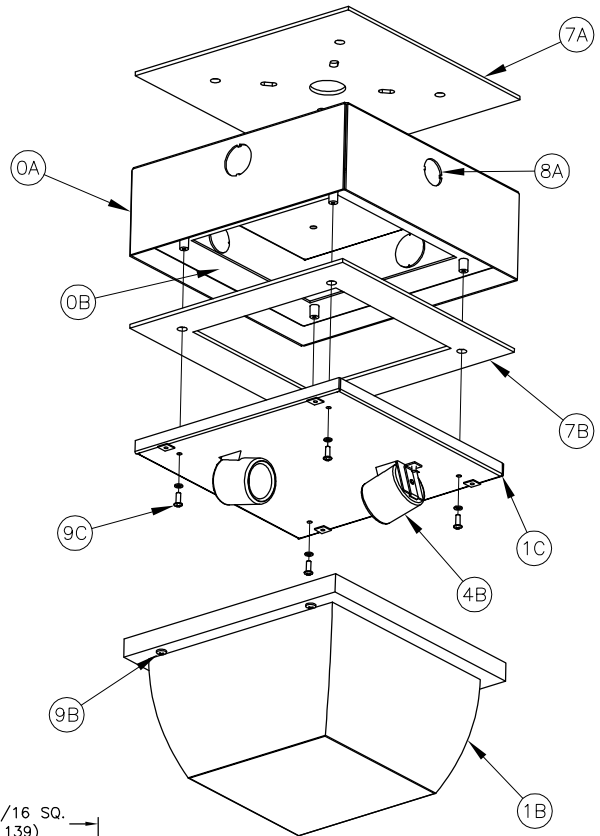
CAUTION Read carefully before installing and wiring the luminaire. Any warning or special instructions should be closely followed. Must be installed in accordance with the NEC (National Electrical Code) and all other applicable codes. All luminaires must be properly grounded. These luminaires are not suitable for hazardous locations.

The 1136 and 1138 luminaires are provided with one 1/2" knockout. The 1137 has three 1/2" knockouts and 1139 has five, two 1/2" and three 3/4" knockouts. Do not attempt to install this luminaire unless you are familiar with warnings, cautions and procedures outlined in this information sheet.

INSTALLATION & ELECTRICAL WIRING

WARNING Risk of electrical shock hazard, only qualified personnel should conduct this procedure! Do not make electrical connections with the power ON. Use cu or cu clad wire only, see product label for wire temperature rating. The luminaires are provided with 1/2" NPT and/or 3/4" NPT knockouts for wiring. Installer must use proper electrical fittings to maintain drip-proof integrity.

1. Make (4) mounting holes for minimum #10 screws (not provided) per mounting dimensions below.
 2. Remove lens (1B) by loosening screws (9B) (qty. 4x, #8).
 3. Remove reflector assembly (1C) by removing screws and washers (9C) (qty. 4x, #6-32).
 4. Break desired knockout (8A).
 5. Position gasket (7A) between housing (0A) and mounting surface. Secure housing using (4) minimum size #10 screws (not provided).
- NOTE: This fixture is listed as " Marine Inside Type Drip-proof", consideration should be given when selecting cord grips to insure a drip-proof seal around the cable.**
6. Strip the supply cable(s) jacket (not provided) back approximately 4".
 7. Select electrical fitting and route wires thru fitting and into housing (0A).
 8. Strip the insulation of the supply wires back approximately 3/8".
- CAUTION** See nameplate for voltage & frequency requirements!
9. Using connectors, connect the L1 or hot lead to black and L2 or neutral to the white wire. Connect ground wire to ground screw or green wire.
 10. Pull out excess cable and tighten fitting cable gland to create a proper seal on the cable as per the manufacturers instructions.
 11. Make sure gasket (7B) is placed flat on housing surface (0B).
 12. Carefully replace reflector assembly (1C) making sure wires are not pinched. Secure inside housing (0A) with screws and washers (9C) (qty. 4x, #6-32).
- CAUTION** Use only lamp to lampholder type and wattage rating as indicated on the luminaire. Exceeding this can cause over heating, premature failure and be dangerous. For incandescent luminaires, the voltage of the lamp must correspond with the supply voltage.
13. Install the proper wattage lamp into the lampholder (4B), making sure the contact of the lamp seats well into the lampholder (4B).
 14. Replace lens (1B) and tighten screws (9B) (qty. 4x, #8).



All statements, technical information and recommendations contained herein are based on information and tests we believe to be reliable. The accuracy or completeness thereof are not guaranteed. In accordance with Crouse-Hinds "Terms and Conditions of Sale", and since conditions of use are outside our control, the purchaser should determine the suitability of the product for his intended use and assumes all risk and liability whatsoever in connection therewith.