

# 1440 & 1449 SERIES INCANDESCENT LUMINAIRES

## Installation & Maintenance Information

**COOPER** Crouse-Hinds  
**PAULUHN**

IF LBL1539

### SAVE THESE INSTRUCTIONS FOR FUTURE REFERENCE

**CAUTION** Read carefully before installing and wiring the luminaire. Any warning or special instructions should be closely followed. Must be installed in accordance with the NEC (National Electrical Code) and all other applicable codes. All luminaires must be properly grounded. These luminaires are not suitable for hazardous locations.

These luminaires are not typically provided with cable entry holes. All holes added should be done by qualified personnel through the thickened areas of the junction box suitable for threading. The junction box can be drilled and tapped a maximum of (4) places, up to a maximum 3/4"NPT. Do not attempt to install this luminaire unless you are familiar with warnings, cautions and procedures outlined in this information sheet.

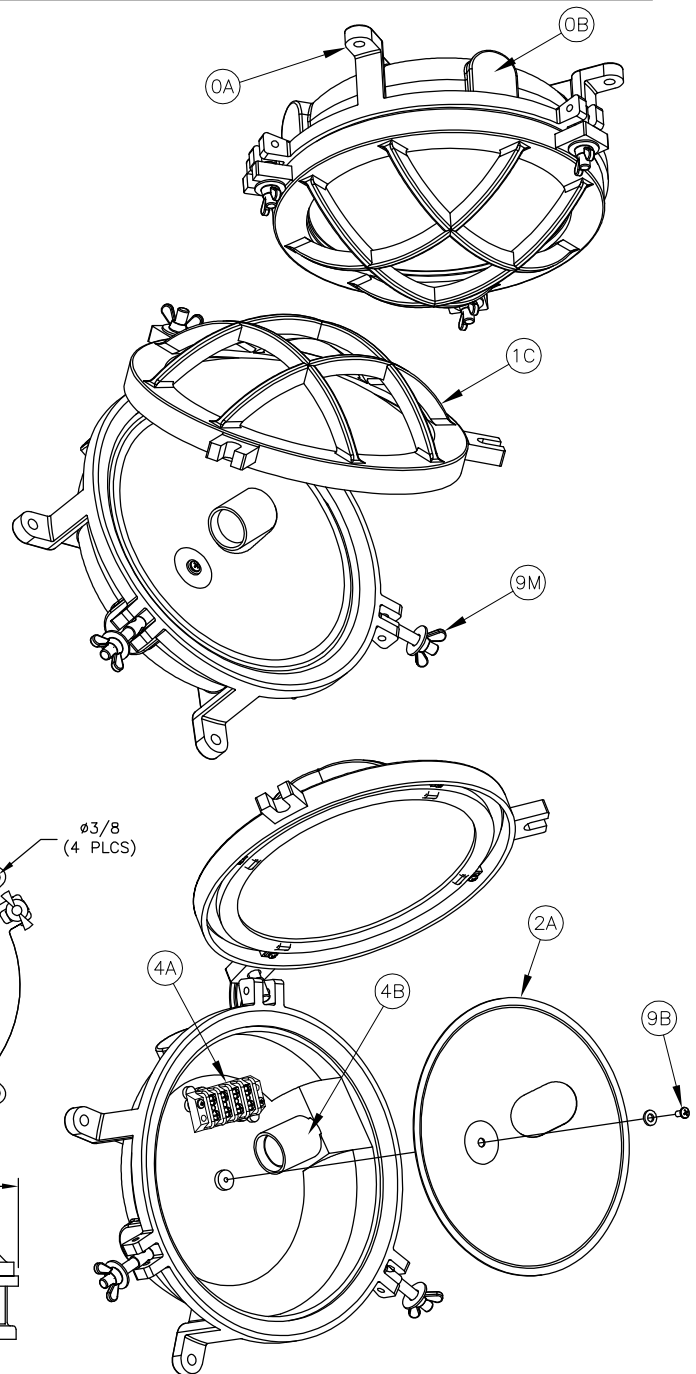
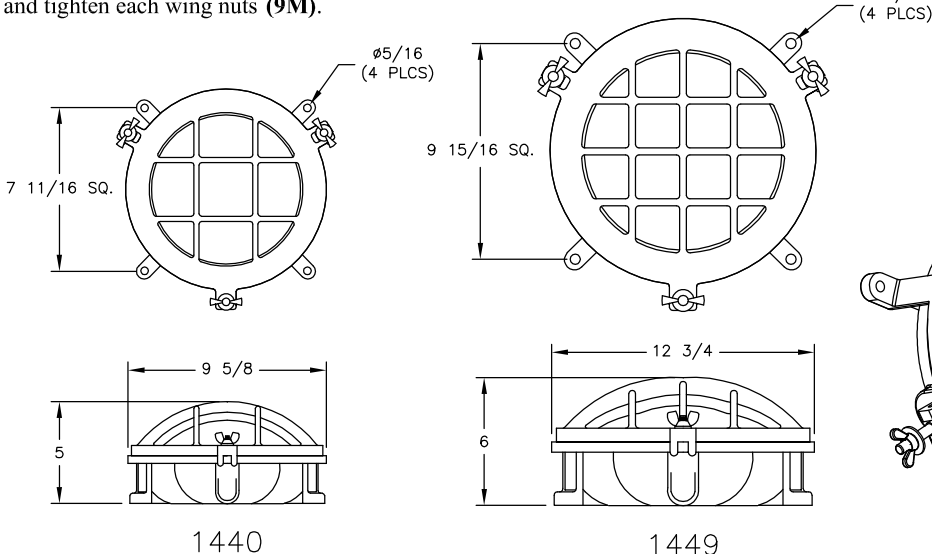
### INSTALLATION & ELECTRICAL WIRING

**WARNING** Risk of electrical shock hazard, only qualified personnel should conduct this procedure! This luminaire is rated for maximum 250 Volts. Do not make electrical connections with the power ON. Use cu or cu clad wire only, see product label for maximum lamp wattage.

1. Make (4) mounting holes for minimum 1/4" bolts (not provided) per mounting dimensions below.
2. Mount housing (0A) in its intended location with (4) minimum size 1/4" bolts (not provided).
3. Drill housing (0A) for fitting (not provided) thru thickened areas (0B) of housing. Maximum holes size for 3/4" NPT fitting.
4. Install fitting (not provided) to housing (0A) and assure a proper seal as per the manufacturers instructions.
5. Open lens assembly (1C) by loosening each wing nuts (9M). Rotate wing nuts (9M) and disengage lens assembly.
6. Loosen screw and washer (9B) (qty.1x, #8-32). Remove reflector (2A).
7. Strip the supply cable(s) jacket (not provided) back approximately 4".
8. Route cable thru fitting cable gland.
9. Strip the insulation of the supply wires back approximately 3/8".

**CAUTION** See nameplate for voltage & frequency requirements!

10. Connect L1 or hot lead to terminal block (4A). Connect L2 or neutral to terminal block (4A). Connect ground wire across from green wire on terminal block (4A).
11. Pull out excess cable and tighten fitting cable gland to create a proper seal on the cable as per the manufacturers instructions.
12. Replace reflector (2A) and secure inside housing with screw and washer (9B) (qty.1x, #8-32).
13. Install the proper wattage lamp (not provided) into the lampholder, making sure the center contact of the lamp seats well into the lampholder (4B).
14. Close lens assembly (1C). Rotate wings nuts (9M) to engage lens assembly and tighten each wing nuts (9M).



All statements, technical information and recommendations contained herein are based on information and tests we believe to be reliable. The accuracy or completeness thereof are not guaranteed. In accordance with Crouse-Hinds "Terms and Conditions of Sale", and since conditions of use are outside our control, the purchaser should determine the suitability of the product for his intended use and assumes all risk and liability whatsoever in connection therewith.