

# Pro

## ProMax Apex/al



### FEATURES

- High output luminaire, up to 30,000 raw lumens.
- Fluorescent system provides energy savings up to 50% when compared to HID.
- Third party certified for operation in high ambient temperatures, up to 55°C (131°F).
- Multi voltage electronic ballast resistant to brownouts or voltage and frequency fluctuations.
- Debris shedding design. Peaked housing prevents particulates from collecting.
- One piece neoprene gasket provides a watertight seal.
- Optional high efficiency reflector up to 95% total reflectivity.
- Suspension style luminaire with feed-through hubs.
- USDA compliant materials.
- Meets Canadian Processed Products Regulations C.R.C., c.291.
- Optional, self contained emergency battery backup ballasts.
- Optional long life T5 lamps available upon request (consult factory).

### APPLICATIONS

- High, mid & low bay
- Watertight requirements
- Dusttight requirements
- High pressure hose down areas
- Food & beverage processing facilities
- Pharmaceutical & additive formulation & processing
- Freezer and refrigeration
- Waste water treatment plants
- Industrial wash bays
- Warehouse/storage facilities

### APPROVALS

- Type 4
- Conforms to IP66
- ABS
- NSF

### STANDARDS

- UL 924 - Emergency Lighting Equipment
- UL 1598 - Luminaires
- CSA - C22.2 250 04
- Canadian Processed Products Regulations C.R.C., c.291
- CSA - C22.2 141
- NSF/ANSI 2-2007 Splash Zone

### TECHNICAL SPECIFICATIONS

#### HOUSING

.062 thick, type 5052H32 aluminum with an electrostatically applied epoxy coated finish.

#### LENS FRAME

Type 6063 aluminum with an electrostatically applied epoxy coated finish.

#### LENS

Acrylic, optional polycarbonate and tempered glass.

#### REFLECTOR

Type 5052H32 aluminum with an electrostatically applied white polyester powder coat finish. Minimum 90% reflectance. High efficiency option, minimum 95% reflectance.

#### GASKET

One piece closed cell neoprene sponge.

#### HINGES

Stainless steel.

#### LAMP HOLDERS

Spring loaded on T5, T5HO and T8HO models. Locking sockets on T8 Bi-Pin models. Engineered plastics, no urea materials.

#### MOUNTING

Attachment points for cable or chain mount. Ceiling mounting kit available.

#### ENTRIES

1/2" or 3/4" NPT feed-through.

#### LAMP TYPES

See ORDERING REFERENCES. Lamps not provided.

#### BALLAST

120 to 277 volt 50/60 Hz electronic, optional 347v and 480v.

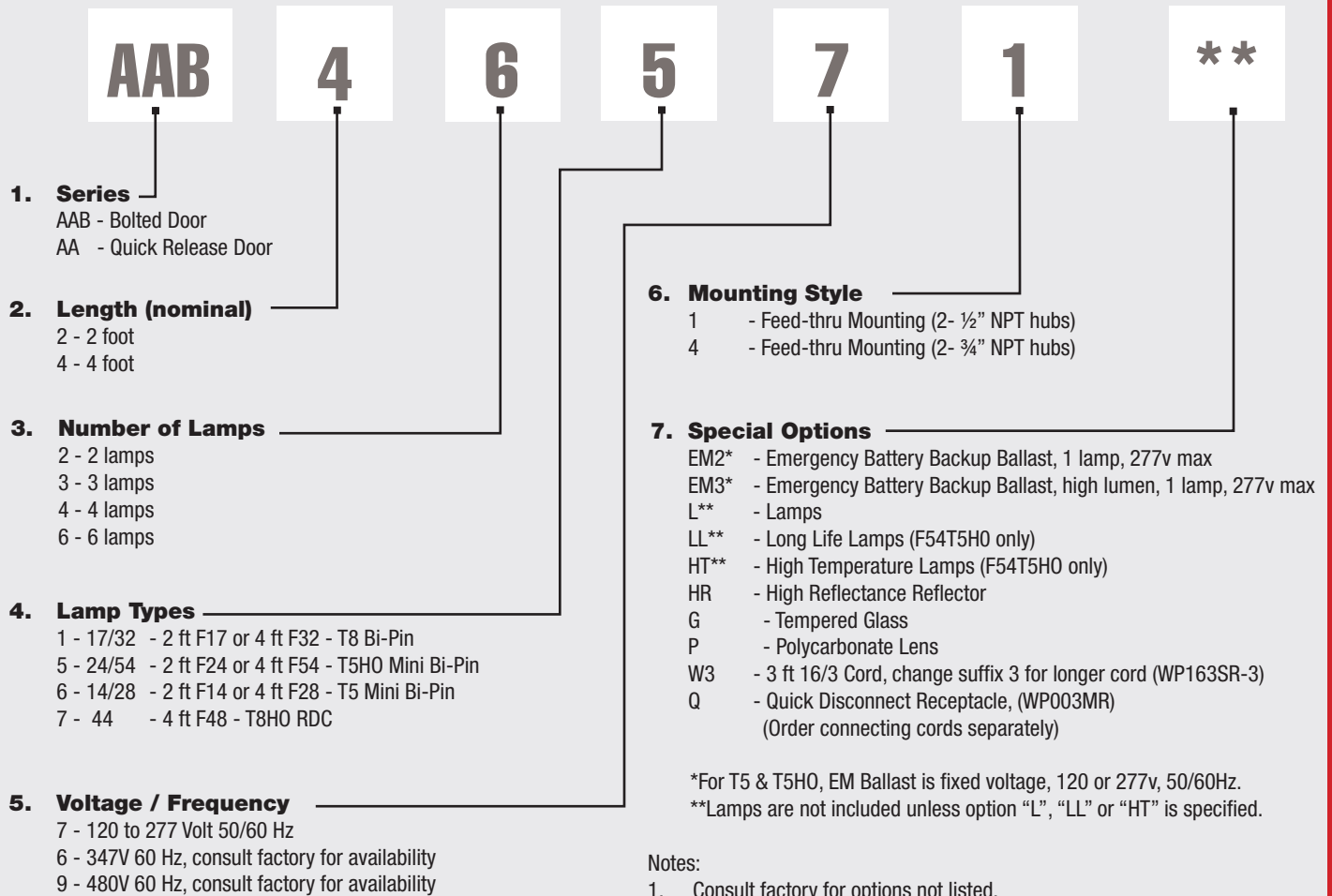
Lamp Wattage	Ballast/Socket Type	ANSI Lamp Code	Starting Temp	Maximum Ambient*	Supply Wire
17	T8 Bi-Pin G13	F17-T8	0° F / -18° C	55°C	90°C
32	T8 Bi-Pin G13	F32-T8	-20°F / -29°C	55°C	90°C
24/54	T5HO Mini Bi-Pin G5	F24/F54-T5HO	-20°F / -29°C	55°C	90°C
14/28	T5 Mini Bi-Pin G5	F14/F28-T5	0° F / -18° C	55°C	90°C
44	T8HO RDC R17d	F48-T8HO	-20°F / -29°C	55°C	90°C

\* Consult factory for optional higher ambient models.

#### EMERGENCY BATTERY BACKUP BALLAST

Optional, self contained 90 minute minimum for all lamp types. 120 minutes minimum for F32T8 one lamp. Starting temperature 32°F/0°C.

## ORDERING REFERENCES

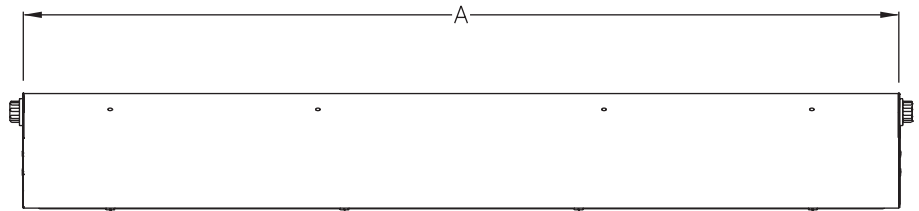
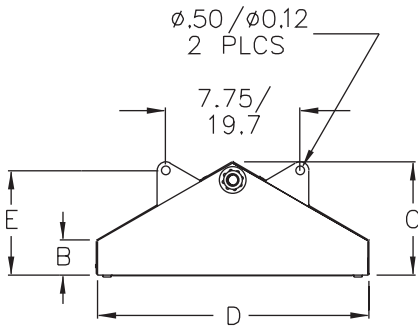


## SPARE PARTS

Part No.	Description
FX5350	BALLAST 120-277V AC 50/60HZ, 1 x 14, F14T5
FX5350	BALLAST 120-277V AC 50/60HZ, 1 x 28, F28T5
FX5307	BALLAST 120-277V AC 50/60HZ, 1 x 24, F24T5HO
FX5305	BALLAST 120-277V AC 50/60HZ, 1 x 54, F54T5HO
FX5174	BALLAST 120-277V AC 50/60HZ, 1 x 17, F17T8
FX5221	BALLAST 120-277V AC 50/60HZ, 1 x 32, F32T8
FX5349	BALLAST 120-277V AC 50/60HZ, 1 x 44, F48T8HO
FX5350	BALLAST 120-277V AC 50/60HZ, 2 x 14, F14T5
FX5350	BALLAST 120-277V AC 50/60HZ, 2 x 28, F28T5
FX5307	BALLAST 120-277V AC 50/60HZ, 2 x 24, F24T5HO
FX5305	BALLAST 120-277V AC 50/60HZ, 2 X 54, F54T5HO
FX5340	BALLAST 120-277V AC 50/60HZ, 2 x 17, F17T8
FX5340	BALLAST 120-277V AC 50/60HZ, 2 x 32, F32T8
FX5349	BALLAST 120-277V AC 50/60HZ, 2 x 44, F48T8HO
FX5135U	EMERGENCY BATTERY BACKUP BALLAST, EM2, 120-277v, for T8 & T8HO models
FX5195U	EMERGENCY BATTERY BACKUP BALLAST, EM3, 120-277v, T8 & T8HO models
FX5316	EMERGENCY BATTERY BACKUP BALLAST, EM2/EM3, 120 or 277v, T5 & T5HO models
FX3573	LAMP, 14w, F14T5
FX3574	LAMP, 28w, F28T5
FX3568	LAMP, 24w, F24T5HO
FX3567	LAMP, 54w, F54T5HO
FX3577	LAMP, 54w Long Life F54T5HO
FX3567HT	LAMP, 54w, F54T5HO
FX3528	LAMP, 17w, F17T8
FX3527	LAMP, 32w, F32T8
FX3565	LAMP, 44w, F48T8HO
FX2242	LENS, 4ft. models
FX2241	LENS, 2ft. models
GKT6124-115	GASKET, 4ft. models
GKT6124-69	GASKET, 2ft. models
FX8116SS	LATCHES, 4ft. models
FX4064F	LAMP HOLDER, stationary for T5 models
FX4064P	LAMP HOLDER, spring loaded for T5 models
FX4004	LAMP HOLDER, stationary for T8HO models
FX4005	LAMP HOLDER, spring loaded for T8HO models
FX4048	LAMP HOLDER, stationary for T8 models

# ProMax Apex/al

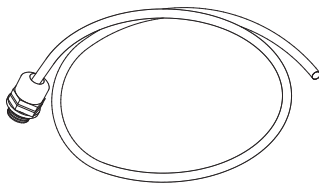
## DIMENSIONS



Nominal Length	Dimensions in Inches / Centimeters					Carton L x W x D Inches	Nominal Weight	
	A	B	C	D	E		Lbs	Kg
2 Foot	26.59 / 67.5	2.0 / 5.1	6.53 / 16.6	15.72 / 39.9	6.0 / 15.2	28 $\frac{3}{4}$ x 16 $\frac{1}{2}$ x 7 $\frac{1}{8}$	19	8.6
4 Foot	50.59 / 128.5	2.0 / 5.1	6.53 / 16.6	15.72 / 39.9	6.0 / 15.2	53 x 16 $\frac{1}{2}$ x 7 $\frac{1}{8}$	32	14.5

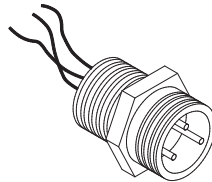
Add 1 lb for 3 or 4 lamps. Add 2 lbs for 5 and 6 lamps.

## ACCESSORIES



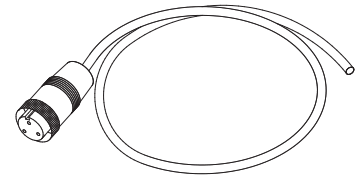
### WP163SR-6

Cord assembly - strain relief connector and 6 feet of #16/3 cable. If longer cable required change suffix "6" to length needed.



### WP003MR

Quick disconnect receptacle.  
Required when #WP163FP-6 is used.

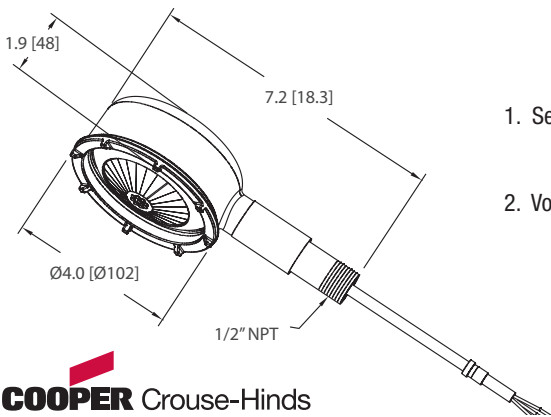


### WP163FP-6

Cord assembly - molded plug & 6 feet of #16/3 cable. If longer cable required change suffix "6" to length needed.

## OCCUPANCY SENSOR KIT

Example: HBOS 35 M S



### 1. Series

HBOS

### 2. Voltage

33 - 208/240 VAC  
34 - 347/480 VAC  
35 - 120/277 VAC

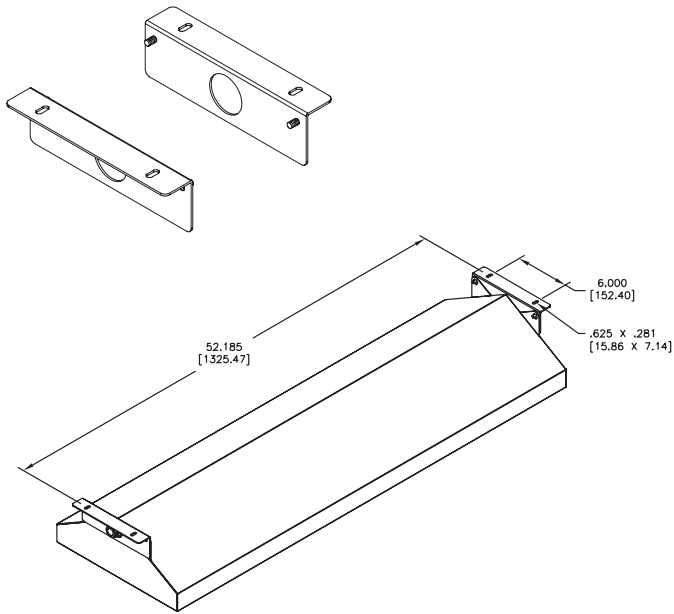
### 3. Lens Type

N - Narrow Linear Pattern Aisle Way Lens  
M - Medium range 24 ft coverage, 20 ft mounting height  
W - Wide range 68 ft coverage, 40 ft mounting height

### 4. Extension Attachment Material

A - Aluminum  
S - Stainless Steel

## MOUNTING OPTIONS



Dimensions in inches [mm]

### **FX7091**

Ceiling Mount Brackets.

Attaches to the suspension ears of the fixture, with the nuts and washers provided.

# Pro

## ProMax Summit/al



### FEATURES

- High output luminaire, up to 30,000 raw lumens.
- Fluorescent system provides energy savings up to 50% when compared to HID.
- Third party certified for operation in high ambient temperatures, up to 55°C (131°F).
- Multi voltage electronic ballast resistant to brownouts or voltage and frequency fluctuations.
- One piece neoprene gasket provides a watertight seal.
- Optional high efficiency reflector up to 95% total reflectivity.
- Pendant, feed-through or combination mounting styles.
- USDA compliant materials.
- Meets Canadian Processed Products Regulations C.R.C., c.291.
- Optional, self contained emergency battery backup ballast.
- Optional long life T5 lamps available upon request (consult factory).

### APPLICATIONS

- High, mid & low bay
- High pressure hose down areas
- Food & beverage processing facilities
- Freezer and refrigeration
- Waste water treatment plants
- Pharmaceutical & additive formulation & processing
- Watertight requirements
- Dusttight requirements
- Industrial wash bays
- Warehouse/storage facilities

### APPROVALS

- Type 4
- Conforms to IP66
- ABS
- NSF

### STANDARDS

- UL 924 - Emergency Lighting Equipment
- UL 1598 - Luminaires
- CSA - C22.2 250 04
- Canadian Processed Products Regulations C.R.C., c.291
- CSA - C22.2 141
- NSF/ANSI 2-2007 Splash Zone

### TECHNICAL SPECIFICATIONS

#### HOUSING

.062 thick, type 5052H32 aluminum with an electrostatically applied epoxy coated finish.

#### LENS FRAME

Type 6063 aluminum with an electrostatically applied epoxy coated finish.

#### LENS

Acrylic, optional polycarbonate and tempered glass.

#### REFLECTOR

Type 5052H32 aluminum with an electrostatically applied white polyester powder coat finish. Minimum 90% reflectance. High efficiency option, minimum 95% reflectance.

#### GASKET

One piece closed cell neoprene sponge.

#### HINGES

Stainless steel.

#### LAMP HOLDERS

Spring loaded on T5, T5HO and T8HO models. Locking sockets on T8 Bi-Pin models. Engineered plastics, no urea materials.

#### MOUNTING

See ORDERING REFERENCES and MOUNTING OPTIONS for details.

#### ENTRIES

1/2" or 3/4" NPT feed-through, pendant or combination.

#### LAMP TYPES

See ORDERING REFERENCES. Lamps not provided.

#### BALLAST

120 to 277 volt 50/60 Hz electronic, 347v or 480v optional.

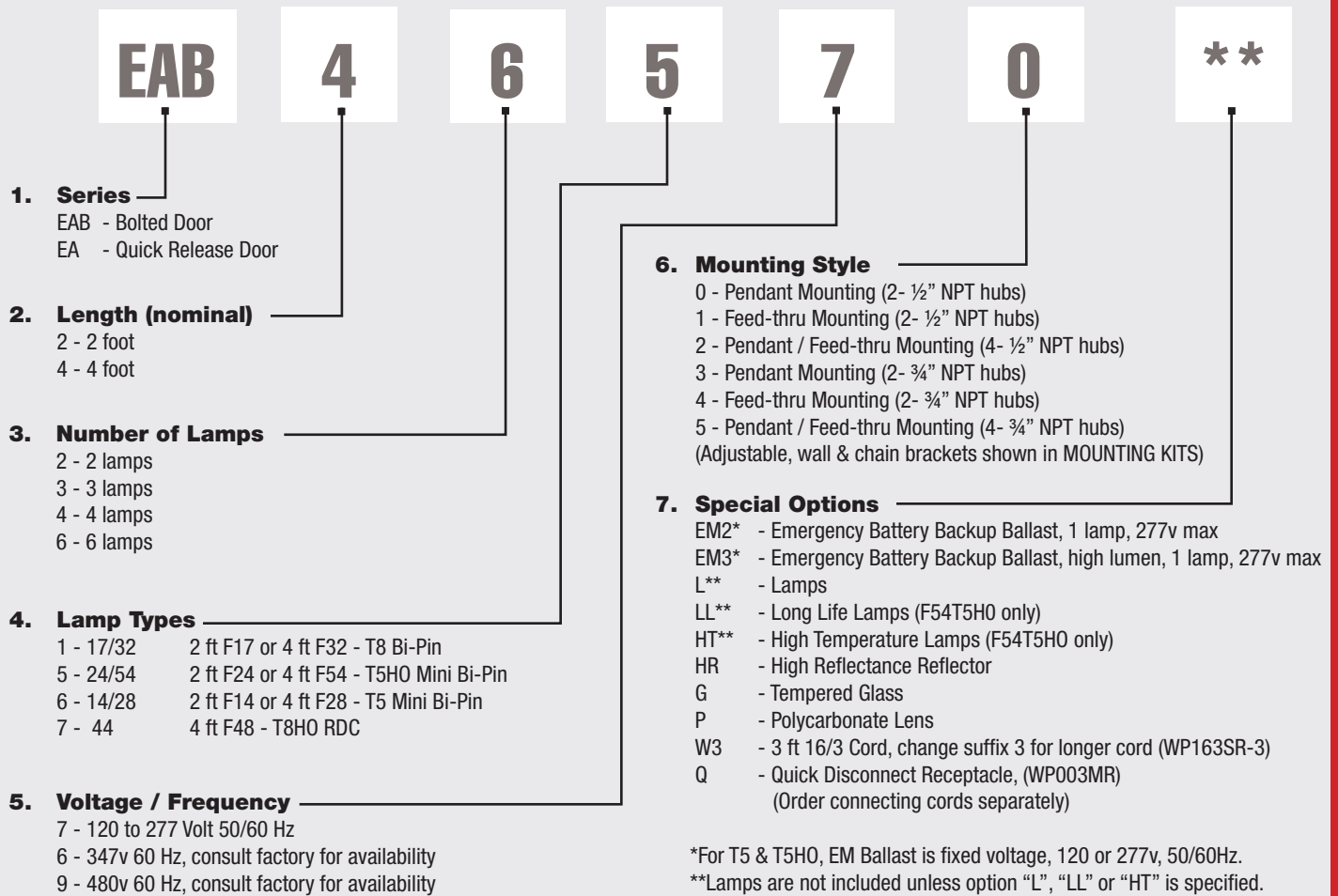
Lamp Wattage	Ballast/Socket Type	ANSI Lamp Code	Starting Temp	Maximum Ambient*	Supply Wire
17	T8 Bi-Pin G13	F17-T8	0°F / -18°C	55°C	90°C
32	T8 Bi-Pin G13	F32-T8	-20°F / -29°C	55°C	90°C
24/54	T5HO Mini Bi-Pin G5	F24/F54-T5HO	-20°F / -29°C	55°C	90°C
14/28	T5 Mini Bi-Pin G5	F14/F28-T5	0°F / -18°C	55°C	90°C
44	T8HO RDC R17d	F48-T8HO	-20°F / -29°C	55°C	90°C

\* Consult factory for optional higher ambient models.

#### EMERGENCY BATTERY BACKUP BALLAST

Optional, self contained 90 minute minimum for all lamp types. 120 minutes minimum for F32T8 one lamp. Starting temperature 32°F/0°C.

## ORDERING REFERENCES



### Notes:

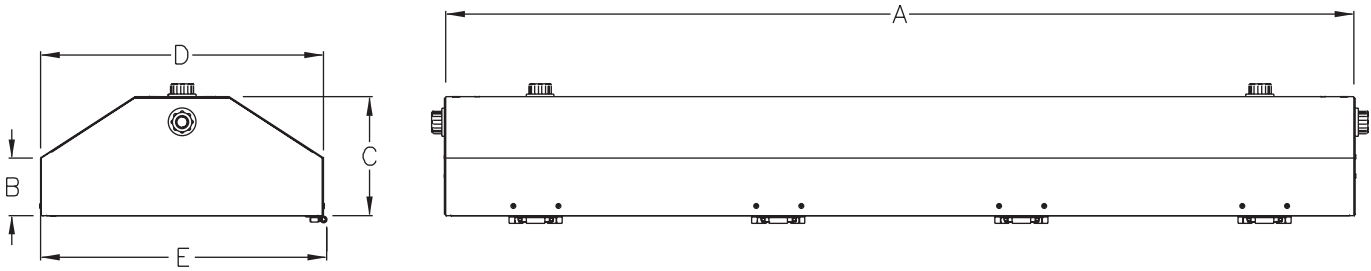
1. Consult factory for options not listed.

## SPARE PARTS

Part No.	Description
FX5350	BALLAST 120-277V AC 50/60HZ, 1 x 14, F14T5
FX5350	BALLAST 120-277V AC 50/60HZ, 1 x 28, F28T5
FX5307	BALLAST 120-277V AC 50/60HZ, 1 x 24, F24T5HO
FX5305	BALLAST 120-277V AC 50/60HZ, 1 x 54, F54T5HO
FX5174	BALLAST 120-277V AC 50/60HZ, 1 x 17, F17T8
FX5221	BALLAST 120-277V AC 50/60HZ, 1 x 32, F32T8
FX5349	BALLAST 120-277V AC 50/60HZ, 1 x 44, F48T8HO
FX5350	BALLAST 120-277V AC 50/60HZ, 2 x 14, F14T5
FX5350	BALLAST 120-277V AC 50/60HZ, 2 x 28, F28T5
FX5307	BALLAST 120-277V AC 50/60HZ, 2 x 24, F24T5HO
FX5305	BALLAST 120-277V AC 50/60HZ, 2 x 54, F54T5HO
FX5340	BALLAST 120-277V AC 50/60HZ, 2 x 17, F17T8
FX5340	BALLAST 120-277V AC 50/60HZ, 2 x 32, F32T8
FX5349	BALLAST 120-277V AC 50/60HZ, 2 x 44, F48T8HO
FX5135U	EMERGENCY BATTERY BACKUP BALLAST, EM2, 120-277v, T8 & T8HO models
FX5195U	EMERGENCY BATTERY BACKUP BALLAST, EM3, 120-277v, T8 & T8HO models
FX5316	EMERGENCY BATTERY BACKUP BALLAST, EM2/EM3, 120 or 277v, T5 & T5HO models
FX3573	LAMP, 14w, F14T5
FX3574	LAMP, 28w, F28T5
FX3568	LAMP, 24w, F24T5HO
FX3567	LAMP, 54w, F54T5HO
FX3577	LAMP, 54w Long Life F54T5HO
FX3567HT	LAMP, 54w, F54T5HO
FX3528	LAMP, 17w, F17T8
FX3527	LAMP, 32w, F32T8
FX3565	LAMP, 44w, F48T8HO
FX2242	LENS, 4ft. models
FX2241	LENS, 2ft. models
GKT6124-115	GASKET, 4ft. models
GKT6124-69	GASKET, 2ft. models
FX8116SS	HINGES, 4ft. models
FX4064F	LAMP HOLDER, stationary for T5 models
FX4064P	LAMP HOLDER, spring loaded for T5 models
FX4004	LAMP HOLDER, stationary for T8HO models
FX4005	LAMP HOLDER, spring loaded for T8HO models
FX4048	LAMP HOLDER, stationary for T8 models

# ProMax Summit/al

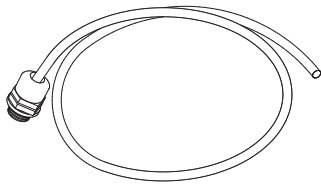
## DIMENSIONS



Nominal Length	Dimensions in Inches / Centimeters					Carton L x W x D Inches	Nominal Weight	
	A	B	C	D	E		Lbs	Kg
2 Foot	26.59 / 67.5	3.2 / 8.1	6.59 / 16.7	15.72 / 39.9	15.92 / 40.4	28 ¾ x 16 ¾ x 7 ½	21	9.5
4 Foot	50.59 / 128.5	3.2 / 8.1	6.59 / 16.7	15.72 / 39.9	15.92 / 40.4	53 x 16 ¾ x 7 ½	34	15.4

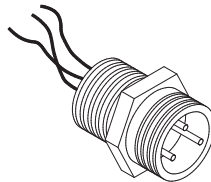
Add 1 lb for 3 or 4 lamps. Add 2 lbs for 5 and 6 lamps.

## ACCESSORIES



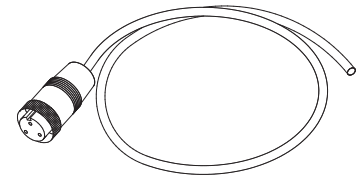
### WP163SR-6

Cord assembly - strain relief connector and 6 feet of #16/3 cable. If longer cable required change suffix "6" to length needed.



### WP003MR

Quick disconnect receptacle. Required when #WP163FP-6 is used.

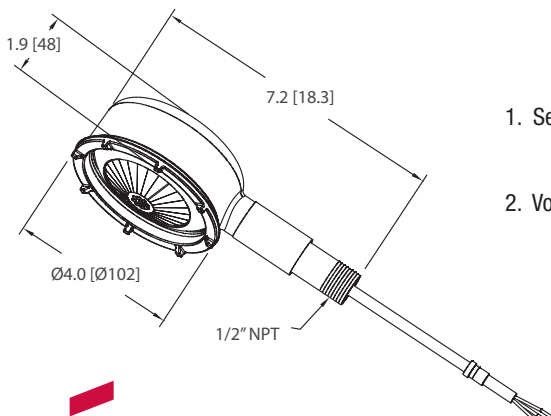


### WP163FP-6

Cord assembly - molded plug & 6 feet of #16/3 cable. If longer cable required change suffix "6" to length needed.

## OCCUPANCY SENSOR KIT

Example: HBOS 35 M S



### 1. Series

HBOS

### 2. Voltage

33 - 208/240 VAC  
34 - 347/480 VAC  
35 - 120/277 VAC

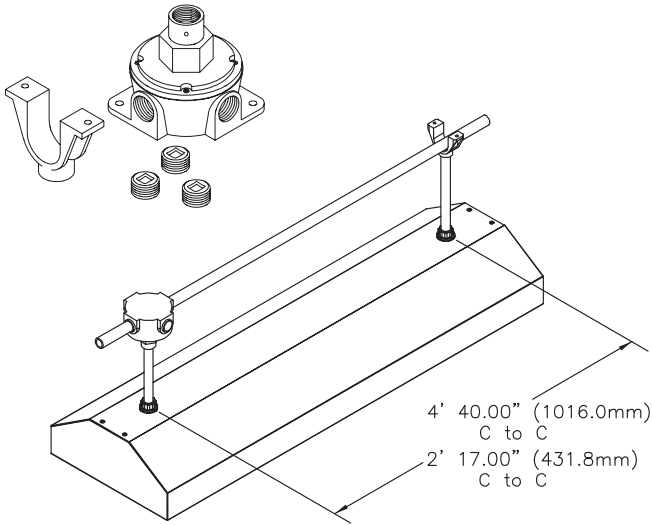
### 3. Lens Type

N - Narrow Linear Pattern Aisle Way Lens  
M - Medium range 24 ft coverage, 20 ft mounting height  
W - Wide range 68 ft coverage, 40 ft mounting height

### 4. Extension Attachment Material

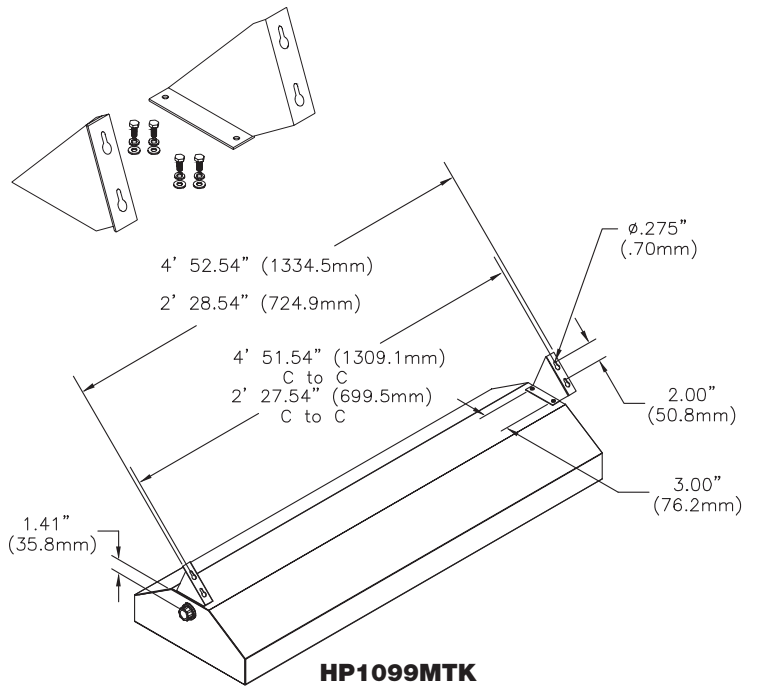
A - Aluminum  
S - Stainless Steel

## MOUNTING OPTIONS



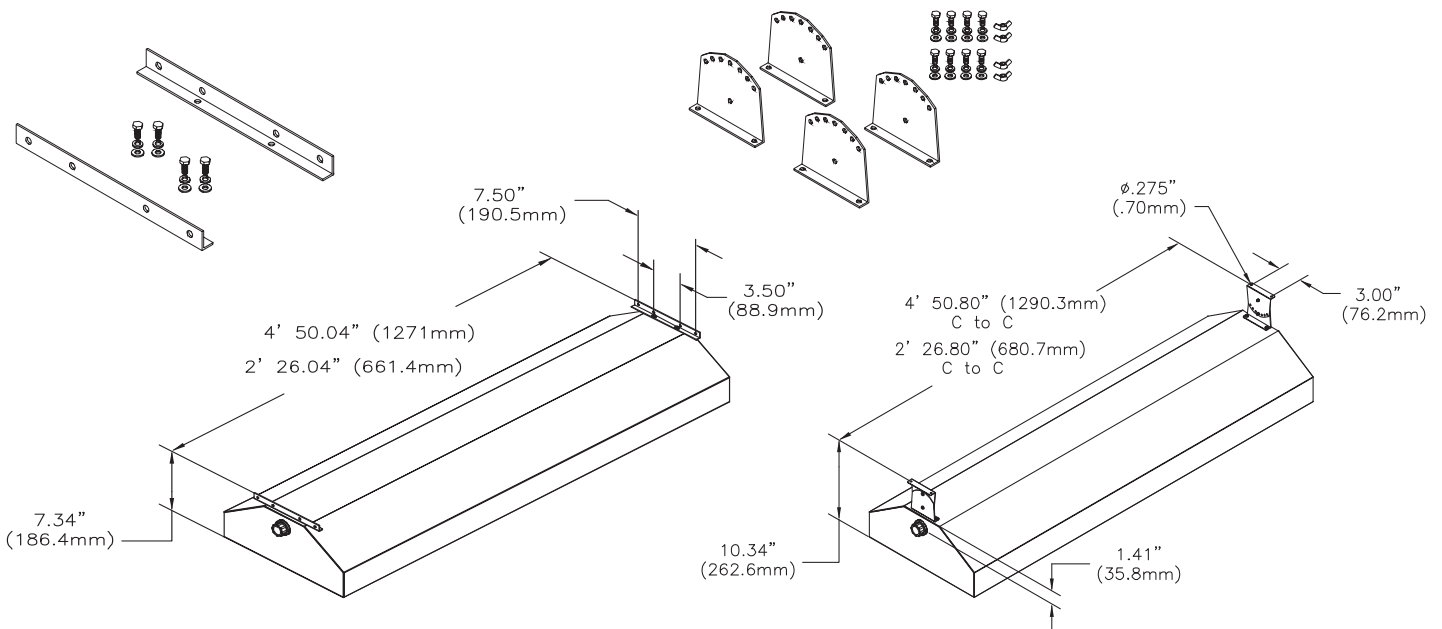
**HP1095MTK**  
Pendant kit.

Consists of 1 saddle strap and one universal junction box & cover (¼" NPT hubs).



**HP1099MTK**  
Fixed wall mounting kit.

Consisting of 2 angled stainless steel wall brackets & hardware to mount brackets to fixture.



**HP1093MTK**  
Chain/cable mounting kit.

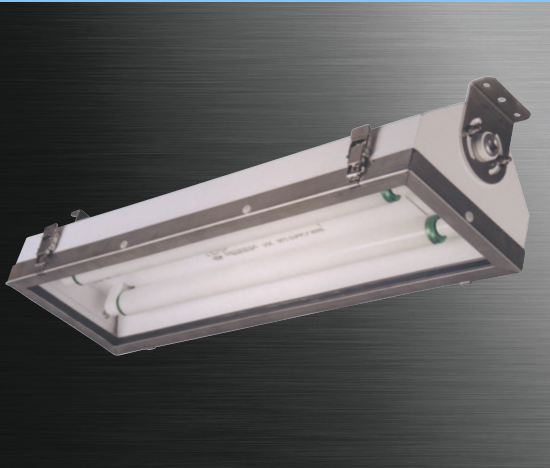
Consisting of 2 stainless steel chain brackets & hardware to mount brackets to fixture.

**HP1097MTK**  
Adjustable mounting kit.

Consisting of 2 pairs of stainless steel brackets & hardware to mount brackets to fixture.

# Pro

## ProMax Radia/al



### FEATURES

- Fluorescent system provides energy savings up to 50% when compared to HID.
- Multi voltage electronic ballast resistant to brownouts or voltage and frequency fluctuations.
- Field replaceable stainless steel lens frame and latches.
- Flat or drop style lens versions with wide beam lumen dispersions of 140 to over 180 degrees.
- Lens frame hinged on side for easy lamp replacement.
- Adjustable mounting brackets allow 110° range of mounting positions.
- ShocLoc™ Bi-Pin spring loaded lamp holders for T5, T8 and T12 lamp types, provide superior resistance to shock and vibration.
- Standard wall/ceiling mount style can be rotated on longitudinal axis for optimum light positioning.
- Neoprene gasket resists petroleum.
- Optional self contained emergency battery backup ballasts.
- Optional long life T5 lamps available upon request (consult factory).

### APPLICATIONS

- Marine & watertight requirements
- Dusttight requirements
- Waste water treatment plants
- Industrial wash pits
- Pharmaceutical & additives formulation & processing

### APPROVALS

- Type 4
- IP66
- ABS

### STANDARDS

- UL 924 - Emergency Lighting Equipment
- UL 1598 - Luminaires
- EN 60529 -Ingress Protection
- CSA - C22.2 250-04
- CSA - C22.2 141

### TECHNICAL SPECIFICATIONS

#### HOUSING

.062 inch thick, type 5052H32 aluminum with an electrostatically applied polyester powder coat finish.

#### LENS

0.125 inch thick, polycarbonate flat lens. Optional tempered glass flat lens or DR acrylic drop lens.

#### REFLECTOR

Type 5052H32 aluminum with an electrostatically applied white polyester powder coat finish. Minimum 90% reflectance.

#### GASKET

One piece neoprene.

#### MOUNTING

Adjustable aluminum surface mount brackets.

#### LATCHES

Stainless steel positive-locking spring loaded.

#### LENS FRAME

304 type stainless steel, hinged on side.

#### LAMP HOLDERS

Spring loaded on one end for linear lamp types.

#### ENTRIES

¼" NPT feed-through outlets, one plugged.

#### LAMP TYPES

See ORDERING REFERENCES. Lamps not provided.

#### BALLAST

120 to 277 volt 50/60 Hz electronic, optional 347v and 480v.

Lamp Wattage	Ballast/Socket Type	ANSI Lamp Code	Starting Temp	Maximum Ambient*	Supply Wire
17	T8 Bi-Pin G13	F17-T8	0°F / -18°C	55°C	90°C
32	T8 Bi-Pin G13	F32-T8	-20°F / -29°C	55°C	90°C
40	4 Pin 2G11	FT40-CF	0°F / -18°C	55°C	90°C
24/54	T5HO Mini Bi-Pin G5	F24/F54-T5HO	-20°F / -29°C	55°C	90°C
14/28	T5 Mini Bi-Pin G5	F14/F28-T5	0°F / -18°C	55°C	90°C
44	T8HO RDC R17d	F48-T8HO	-20°F / -29°C	40°C	90°C
35/60	T12HO RDC R17d	F24/F48-T12HO	-20°F / -29°C	40°C	90°C
80	4 Pin 2G11	FT80-CF	0°F / -18°C	40°C	90°C

\*Consult factory for optional higher ambient models.

#### EMERGENCY BATTERY BACKUP BALLAST

Optional, self contained 90 minute minimum for all lamp types. 120 minutes minimum for F32T8 one lamp. Starting temperature 32°F/0°C.

## ORDERING REFERENCES

ARA
4
2
1
7
0
\*\*

**1. Series**  
 ARA - Flat lens  
 ARAD - Drop lens

**2. Length (nominal)**  
 2 - 2 foot  
 4 - 4 foot

**3. Number of Lamps**  
 1 - 1 lamp  
 2 - 2 lamps  
 3 - 3 lamps, Lamp Type 1, 5, 6, 7 & 8  
 4 - 4 lamps, 4 ft, Lamp Type 2 only

**4. Lamp Types**  
 1 - 17/32 - 2 ft F17 or 4 ft F32 - T8 Bi-Pin  
 2 - 40 - 2 ft FT40 - CF 2G11  
 5 - 24/54 - 2 ft F24 or 4 ft F54 - T5HO Mini Bi-Pin  
 6 - 14/28 - 2 ft F14 or 4 ft F28 - T5 Mini Bi-Pin  
 7 - 44 - 4 ft F48 - T8HO RDC  
 8 - 35/60 - 2 ft F24 or 4 ft F48 - T12HO RDC  
 9 - 80 - 2 ft FT80 - CF 2G11 2 lamp maximum

**5. Voltage / Frequency**  
 7 - 120 to 277 Volt 50/60 Hz (Not for Lamp Type 9)  
 6 - 347 Volt 60 Hz, consult factory for availability  
 9 - 480 Volt 60 Hz, consult factory for availability

**6. Mounting Style**  
 0 - End Mounting - Standard wall/ceiling mounting kit included  
 1 - End Mounting - Surface wall/ceiling mounting kit included  
 2 - Pendant Mount - Via 3/4" NPT hubs. See HP1095MTK for optional mounting kit.

**7. Special Options**  
 EM2\* - Emergency Battery Backup Ballast, 1 lamp, 277v max  
 EM3\* - Emergency Battery Backup Ballast, high lumen, 1 lamp, 277v max  
 EMT2\* - Emergency Battery Backup Ballast, 1 lamp, 277v max, test switch  
 EMT3\* - Emergency Battery Backup Ballast, high lumen, 1 lamp, 277v max, test switch  
 L\*\* - Lamps  
 LL\*\* - Long Life Lamps (F54T5HO only)  
 P - Polycarbonate Lens (Standard on flat lens model)  
 TG - Tempered Glass Lens (Flat lens model only)  
 W - Dual Safety Cable Attachment Points  
 T - Multi Point Terminal Block  
 SM - Shock Mount

\*For T5 & T5HO, EM Ballast is fixed voltage, 120 or 277v, 50/60Hz.  
 \*\*Lamps are not included unless option "L" or "LL" is specified.

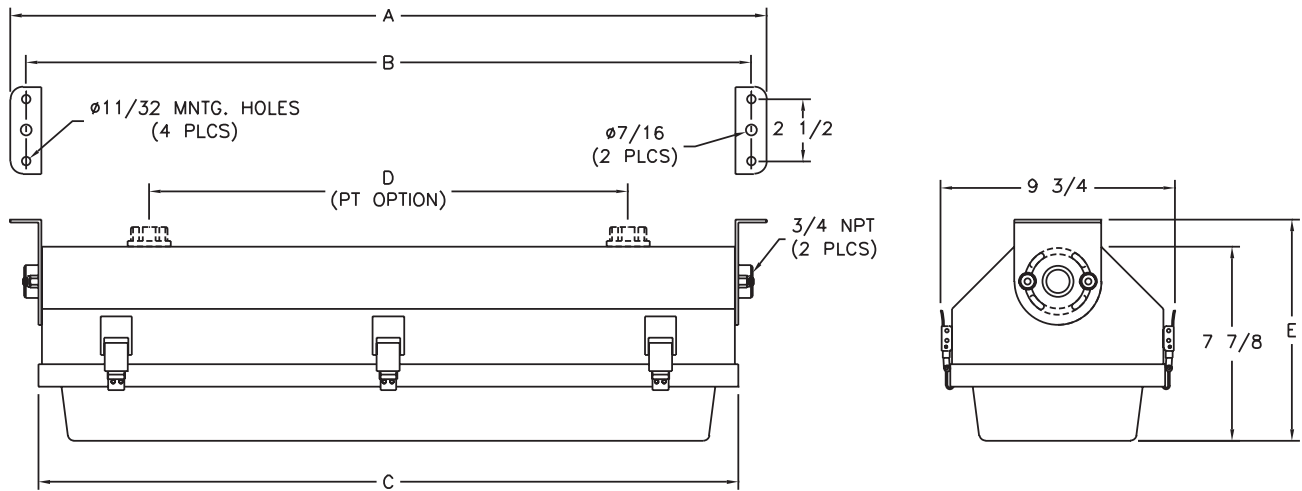
Notes:  
 1. Consult factory for options not listed.

## SPARE PARTS

Part No.	Description	Part No.	Description	Part No.	Description
FX5350	BALLAST 120-277V AC 50/60HZ, 1 x 14, F14T5	FX5340	BALLAST 120-277V AC 50/60HZ, 2 x 32, F32T8	FX3533	LAMP, 40w CF, FT40 2G11
FX5350	BALLAST 120-277V AC 50/60HZ, 1 x 28, F28T5	FX5349	BALLAST 120-277V AC 50/60HZ, 2 x 44, F48T8HO	FX3570	LAMP, 80w, FT80 2G11
FX5307	BALLAST 120-277V AC 50/60HZ, 1 x 24, F24T5HO	FX5334	BALLAST 120-277V AC 50/60HZ, 2 x 35, F24T12HO	FX2134	FLAT LENS, Polycarbonate, 2ft. models
FX5305	BALLAST 120-277V AC 50/60HZ, 1 x 54, F54T5HO	FX5334	BALLAST 120-277V AC 50/60HZ, 2 x 60, F48T12HO	FX2135	FLAT LENS, Polycarbonate, 4ft. models
FX5174	BALLAST 120-277V AC 50/60HZ, 1 x 17, F17T8	FX5272	BALLAST 120-277V AC 50/60HZ, 2 x 40 CF, FT40 2G11	FX2136	DROP LENS, DR Acrylic, 2ft. models
FX5221	BALLAST 120-277V AC 50/60HZ, 1 x 32, F32T8	FX5135U	EMERGENCY BATTERY BACKUP BALLAST, EM2/EMT2, 120-277v, CF, T8, T8HO, & T12HO	FX2137	DROP LENS, DR Acrylic, 4ft. models
FX5349	BALLAST 120-277V AC 50/60HZ, 1 x 44, F48T8HO	FX5195U	EMERGENCY BATTERY BACKUP BALLAST, EM3/EMT3, 120-277v, CF, T8, T8HO, & T12HO	GKT6088-69.5	GASKET, 2 ft. models
FX5334	BALLAST 120-277V AC 50/60HZ, 1 x 35, F24T12HO	FX5316	EMERGENCY BATTERY BACKUP BALLAST, EM2/EMT2/EM3/EMT3, 120 or 277v, T5 & T5HO	GKT6088-117.5	GASKET, 4 ft. models
FX5334	BALLAST 120-277V AC 50/60HZ, 1 x 60, F48T12HO	FX3573	LAMP, 14w, F14T5	FX7031A	MOUNT, Wall
FX5272	BALLAST 120-277V AC 50/60HZ, 1 x 40 CF, FT40 2G11	FX3574	LAMP, 28w, F28T5	FX7027A	MOUNT, Standard
FX5335	BALLAST 120-277V AC 50/60HZ, 1 x 80, FT80 2G11	FX3568	LAMP, 24w, F24T5HO	FX7022A	MOUNT, Surface
FX5350	BALLAST 120-277V AC 50/60HZ, 2 x 14, F14T5	FX3567	LAMP, 54w, F54T5HO	FX7023	MOUNT, Pipe Mount Kit
FX5350	BALLAST 120-277V AC 50/60HZ, 2 x 28, F28T5	FX3577	LAMP, 54w, Long Life F54T5HO	FX7025	MOUNT, Chain Mount Kit
FX5307	BALLAST 120-277V AC 50/60HZ, 2 x 24, F24T5HO	FX3528	LAMP, 17w, F17T8	FX7004A	MOUNT, Shock Mount
FX5305	BALLAST 120-277V AC 50/60HZ, 2 x 54, F54T5HO	FX3527	LAMP, 32w, F32T8	FX7028	BEAM CLAMP KIT, Beam clamps (2), Safety Cable & Cable Gland
FX5340	BALLAST 120-277V AC 50/60HZ, 2 x 17, F17T8	FX3565	LAMP, 44w, F48T8HO	FX4004	LAMP HOLDER, Stationary, 35w, 44w, 60w
		FX3507	LAMP, 35w, F24T12HO	FX4005	LAMP HOLDER, Spring, 35w, 44w, 60w
		FX3505	LAMP, 60w, F48T12HO	FX4008	LAMP HOLDER, Stationary, 14w, 17w, 24w, 28w, 32w, 54w
				FX4009	LAMP HOLDER, Spring, 14w, 17w, 24w, 28w, 32w, 54w
				FX4043	LAMP HOLDER, Stationary, 40w CF
				N/A	LAMP HOLDER, Spring, 40w CF

# ProMax **Radial**

## DIMENSIONS

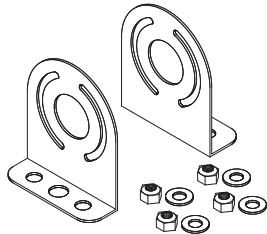


Nominal Length	Dimensions in Inches / Centimeters						Carton W x D x L Inches		Nominal Weight	
	A	B	C	D	E1	E2	E1	E2	Lbs	Kg
2 Foot	31.5 / 80.01	30.25 / 76.84	29.25 / 74.30	25.88 / 65.72	9.0 / 22.86	6.0 / 15.24	10 x 6 x 31 $\frac{3}{4}$	10 x 8 x 32	15	6.8
4 Foot	55.5 / 140.97	54.25 / 137.80	53.25 / 135.26	36.0 / 91.44	9.0 / 22.86	6.0 / 15.24	10 x 6 x 56 $\frac{5}{8}$	10 x 8 x 56	23	10.4

Dimension "E1" is for drop style lens. Dimension "E2" is for flat style lens.

Add 1 lb for 3 or 4 lamp.

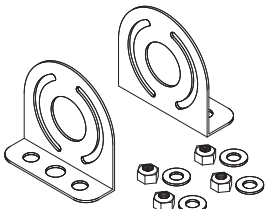
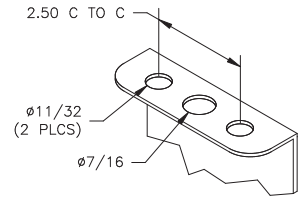
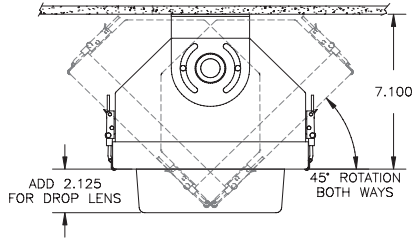
## MOUNTING OPTIONS



### **FX7027A**

Standard Wall/Ceiling Mounting Kit  
2 aluminum brackets and mounting hardware.  
Adjustable swivel mount.

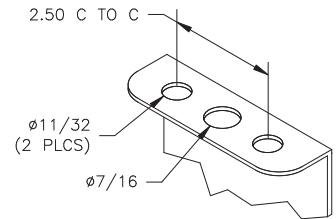
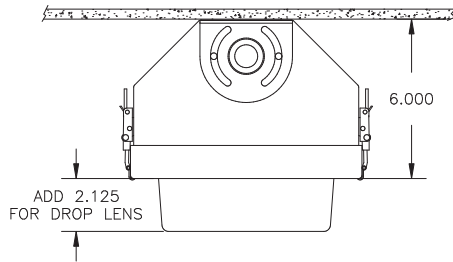
### **Standard Wall/Ceiling Mounting Kit**



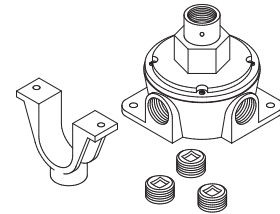
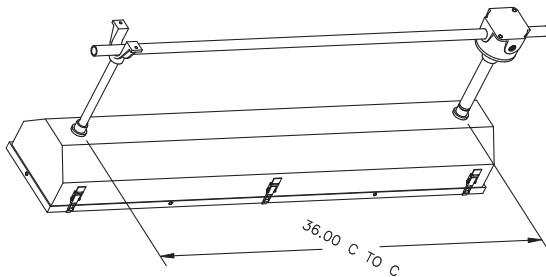
### **FX7022A**

Surface Wall/Ceiling Mounting Kit  
2 aluminum brackets and mounting hardware.  
Flush mount.

### **Surface Wall/Ceiling Mounting Kit**



### **Pendant Mount Kit**



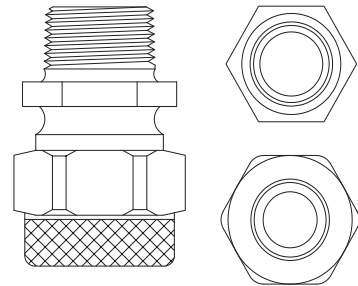
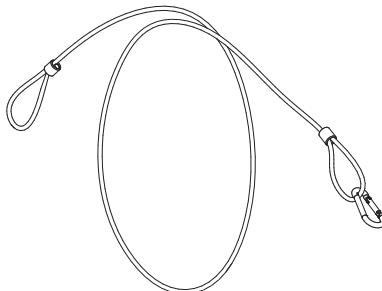
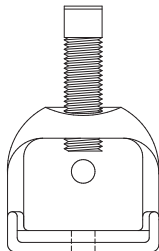
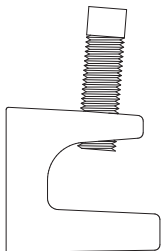
### **HP1095MTK**

Pendant Kit  
1 saddle strap and one universal aluminum junction box & cover. (1/4" NPT hubs).

### **Beam Clamp Kit**

#### **FX7028**

Includes Beam Clamps (2), Safety Cable & Cable Gland



### **BC2K**

2 Beam Clamp Kit.  
For use with surface mount.

### **SC30H**

48" stainless steel Safety Cable with snap hook.

### **CX1502**

Cable Gland 1/4" aluminum,  
cord grip range .438 - .562.

# Pro

## ProMax Intrepid/al



### FEATURES

- Fluorescent system provides energy savings up to 50% when compared to HID.
- Third party certified for operation in high ambient temperatures, up to 65°C (149°F).
- Multi voltage electronic ballast resistant to brownouts or voltage and frequency fluctuations.
- Stainless steel latches, mounting feet and lens retainers.
- Impact resistant, UV stabilized polycarbonate lens.
- Shoc♦Loc™ Bi-Pin spring loaded lamp holders for T5, T8 and T12 lamp types, provide superior resistance to shock and vibration.
- USDA compliant materials.
- Meets Canadian Processed Products Regulations C.R.C. c291.
- Neoprene gasket resists petroleum.
- Three lamp models are provided with (1) single lamp ballast and (1) two lamp ballast for independent switching or filter tube options.
- Optional self contained emergency battery backup ballasts.
- Option MIL includes: 10 feet of low smoke cable, lamps and a mounting footprint that matches symbol 77.4 (1 and 2 lamp) and symbol 333.1 (3 lamp).
- Optional long life T5 lamps available upon request (consult factory).

### APPLICATIONS

- Marine and watertight requirements
- Dusttight requirements
- Waste water treatment plants
- Food & beverage processing facilities
- Pulp and paper production plants

### APPROVALS

- Type 4
- IP66
- Marine Outside Type Saltwater
- ABS
- NSF

### STANDARDS

- UL 924 - Emergency Lighting Equipment
- UL 1598A - Luminaires for Marine Vessels
- EN 60529 - Ingress Protection
- Canadian Processed Products Regulations C.R.C. c291
- CSA - C22.2 250-04
- CSA - C22.2 141
- NSF/ANSI 2-2007 Splash Zone

### TECHNICAL SPECIFICATIONS

#### HOUSING

.062 inch thick, type 5052H32 aluminum with an electrostatically applied polyester powder coat finish.

#### LENS

0.090 inch thick, matte polycarbonate. Optional clear polycarbonate.

#### REFLECTOR

Type 5052H32 aluminum with an electrostatically applied white polyester powder coat finish. Minimum 90% reflectance.

#### GASKET

One piece neoprene.

#### MOUNTING

Stainless steel vibration dampening feet for ceiling, wall or chain mount, optional end mount. Kits available for uni-strut/rod and pole mount.

#### LATCHES

Stainless steel over the center cam.

#### LAMP HOLDERS

Spring loaded on one end for linear lamp types.

#### ENTRIES

Feed-through, one nonmetallic cable gland and one end plugged. See Special Options for other entries.

#### LAMP TYPES

See ORDERING REFERENCES. Lamps not provided.

#### BALLAST

120 to 277 volt 50/60 Hz electronic, except F20 & F40 T12 Bi-Pin which are 120V 60Hz.

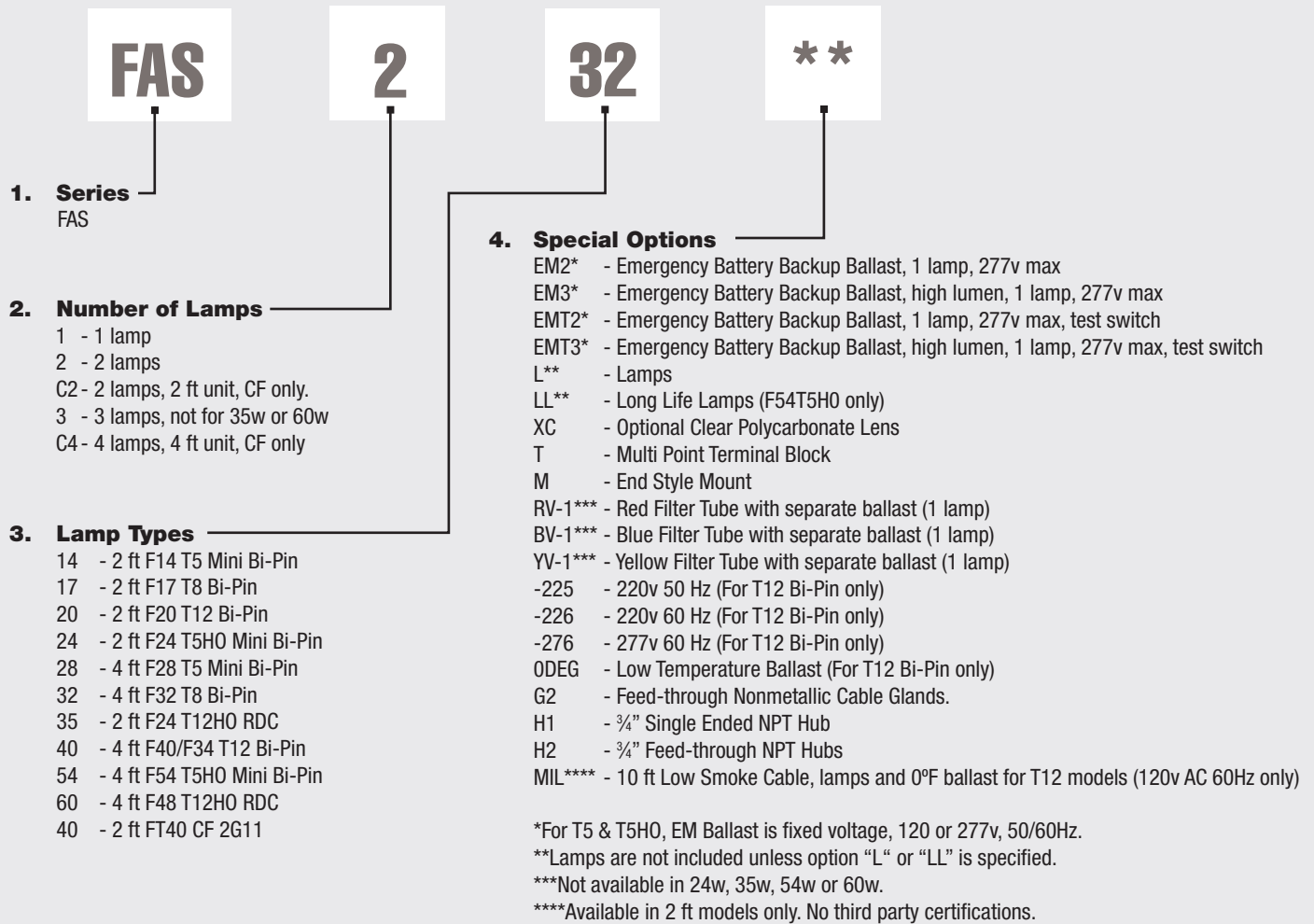
Lamp Wattage	Ballast/Socket Type	ANSI Lamp Code	Starting Temp	Maximum Ambient*	Supply Wire
17	T8 Bi-Pin G13	F17-T8	0°F / -18°C	55°C	90°C
32	T8 Bi-Pin G13	F32-T8	-20°F / -29°C	55°C	90°C
40	4 Pin 2G11	FT40 CF	0°F / -18°C	55°C	90°C
24/54	T5HO Mini Bi-Pin G5	F24/F54-T5HO	-20°F / -29°C	55°C	90°C
14/28	T5 Mini Bi-Pin G5	F14/F28-T5	0°F / -18°C	55°C	90°C
35/60	T12HO RDC R17d	F24/F48-T12HO	-20°F / -29°C	40°C	90°C

\*Consult factory for optional higher ambient models.

#### EMERGENCY BATTERY BACKUP BALLAST

Optional, self contained 90 minute minimum for all lamp types. 120 minutes minimum for F32T8 one lamp. Starting temperature 32°F/0°C.

## ORDERING REFERENCES



**Notes:**

- Consult factory for options not listed.

## COMMONLY ORDERED LUMINAIRES

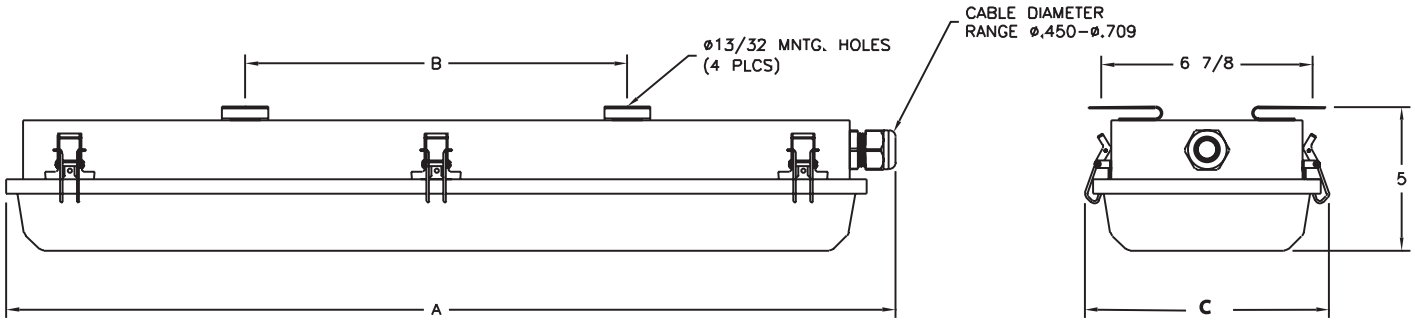
Part No.	Description	Weight	
		Lbs	Kg
FAS217	Aluminum 2 foot fixture 2 x F17 120-277v 50/60 Hz	8.5	3.9
FAS220	Aluminum 2 foot fixture 2 x F20 120v 60 Hz	9.5	4.3
FAS232	Aluminum 4 foot fixture 2 x F32 120-277v 50/60 Hz	16.2	7.3
FAS240	Aluminum 4 foot fixture 2 x F40 120v 60 Hz	17.2	7.8
FX2175	Matte Polycarbonate Lens with Gasket 2 ft	1.5	.68
FX2177	Matte Polycarbonate Lens with Gasket 4 ft	2.7	1.22
FX2163	Clear Polycarbonate Lens with Gasket 2 ft	1.5	.68
FX2165	Clear Polycarbonate Lens with Gasket 4 ft	2.7	1.22
FX8014	Latches	.1	.05

# ProMax Intrepid/al

## SPARE PARTS

Part No.	Description		
FX5350	BALLAST 120-277V AC 50/60HZ, 1 x 14, F14T5	FX3567	LAMP, 54w, F54T5HO
FX5350	BALLAST 120-277V AC 50/60HZ, 1 x 28, F28T5	FX3577	LAMP, 54w, Long Life F54T5HO
FX5307	BALLAST 120-277V AC 50/60HZ, 1 x 24, F24T5HO	FX3528	LAMP, 17w, F17T8
FX5305	BALLAST 120-277V AC 50/60HZ, 1 x 54, F54T5HO	FX3527	LAMP, 32w, F32T8
FX5174	BALLAST 120-277V AC 50/60HZ, 1 x 17, F17T8	FX3506	LAMP, 20w, F20T12
FX5221	BALLAST 120-277V AC 50/60HZ, 1 x 32, F32T8	FX3517	LAMP, 34w, F40T12/ES
FX5334	BALLAST 120-277V AC 50/60HZ, 1 x 35, F24T12HO	FX3504	LAMP, 40w, F40T12
FX5334	BALLAST 120-277V AC 50/60HZ, 1 x 60, F48T12HO	FX3507	LAMP, 35w, F24T12HO
FX5272	BALLAST 120-277V AC 50/60HZ, 1 x 40 CF, FT40 2G11	FX3505	LAMP, 60w, F48T12HO
FX5350	BALLAST 120-277V AC 50/60HZ, 2 x 14, F14T5	FX3533	LAMP, 40w CF, FT40 2G11
FX5350	BALLAST 120-277V AC 50/60HZ, 2 x 28, F28T5	FX8014	LATCH
FX5307	BALLAST 120-277V AC 50/60HZ, 2 x 24, F24T5HO	GKT6106-69	LENS GASKET, 2ft. models
FX5305	BALLAST 120-277V AC 50/60HZ, 2 X 54, F54T5HO	GKT6106-117	LENS GASKET, 4ft. models
FX5340	BALLAST 120-277V AC 50/60HZ, 2 X 17, F17T8	FX4008	LAMP HOLDER, 17w, 20w, 24w, 32w, 40w & 54w Stationary
FX5340	BALLAST 120-277V AC 50/60HZ, 2 X 32, F32T8	FX4009	LAMP HOLDER, 17w, 20w, 24w, 32w, 40w & 54w Spring
FX5334	BALLAST 120-277V AC 50/60HZ, 2 X 35, F24T12HO	FX4008SET	LAMP HOLDER, (1 ea. FX4008, FX4009)
FX5334	BALLAST 120-277V AC 50/60HZ, 2 X 60, F48T12HO	FX4004	LAMP HOLDER, 35w & 60w Stationary
FX5272	BALLAST 120-277V AC 50/60HZ, 2 X 40 CF, FT40 2G11	FX4005	LAMP HOLDER, 35w & 60w Spring
FX5009	BALLAST 120V 60HZ, 1 x 20, F20T12	FX4004SET	LAMP HOLDER, (1 ea. FX4004, FX4005)
FX5326	BALLAST 120V 60HZ, 1 X 34, F34T12	FX4043	LAMP HOLDER, 40w CF
FX5326	BALLAST 120V 60HZ, 1 x 40, F34T12	FX2175	MATTE POLYCARBONATE LENS (with Gasket), 2ft. models
FX5001	BALLAST 120V 60HZ, 2 x 20, F20T12	FX2177	MATTE POLYCARBONATE LENS (with Gasket), 4ft. models
FX5004	BALLAST 120V 60HZ, 2 X 34, F34T12	FX2163	CLEAR POLYCARBONATE LENS (with Gasket), 2ft. models
FX5004	BALLAST 120V 60HZ, 2 x 40, F34T12	FX2165	CLEAR POLYCARBONATE LENS (with Gasket), 4ft. models
FX5135U	EMERGENCY BATTERY BACKUP BALLAST, EM2/EMT2, 120-277V for T8, T8HO, T12, T12HO & CF	CX1517	CABLE GLAND, 3/4" NPT non metallic
FX5316	EMERGENCY BATTERY BACKUP BALLAST, EM2/EMT2/EM3/EMT3, 120 or 277V for T5 & T5HO	FX2193RED	FILTER TUBE, Red 17w T8
FX5095U	EMERGENCY BATTERY BACKUP BALLAST, EM3/EMT3, 120-277V for T8, T8HO, T12, T12HO & CF	FX2192RED	FILTER TUBE, Red 20w T12
FX3573	LAMP, 14w, F14T5	FX2195RED	FILTER TUBE, Red 32w T8
FX3574	LAMP, 28w, F28T5	FX2194RED	FILTER TUBE, Red 34w T12
FX3568	LAMP, 24w, F24T5HO	FX2192BLU	FILTER TUBE, Blue 20w T12

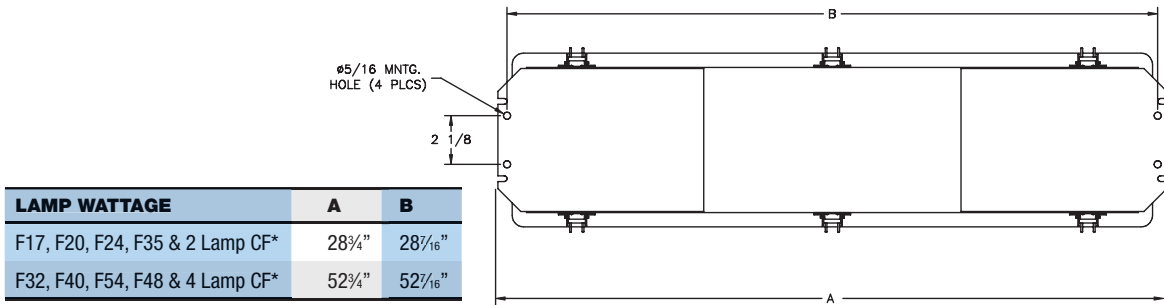
## DIMENSIONS



Nominal Length	Dimensions in Inches / Centimeters			Carton W x D x L Inches	Nominal Weight	
	A	B	C		Lbs	Kg
2 Foot	28.8 / 73.7	12.44 / 31.59	7.625 / 19.4	8 $\frac{3}{4}$ x 6 $\frac{1}{4}$ x 31 $\frac{1}{8}$	8.5	3.9
4 Foot	52.8 / 134.6	36.56 / 92.87	7.625 / 19.4	8 $\frac{1}{2}$ x 6 x 56 $\frac{1}{16}$	14	6.4

## MOUNTING OPTIONS

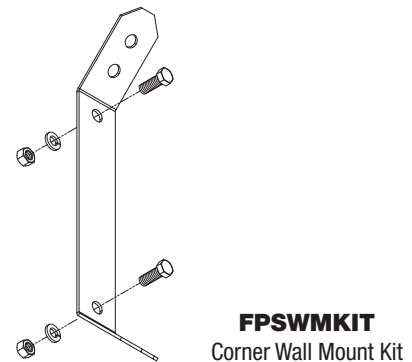
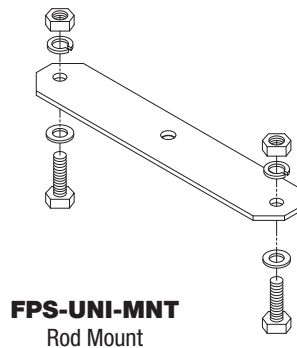
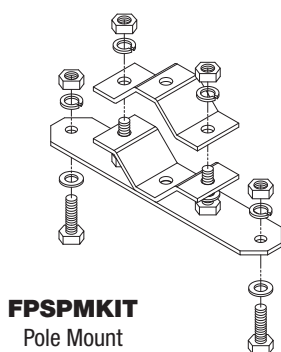
### Option M - END STYLE MOUNT



LAMP WATTAGE	A	B
F17, F20, F24, F35 & 2 Lamp CF*	28 $\frac{3}{4}$ "	28 $\frac{7}{16}$ "
F32, F40, F54, F48 & 4 Lamp CF*	52 $\frac{3}{4}$ "	52 $\frac{7}{16}$ "

\* CF = Compact Fluorescent

## MOUNTING KITS



# Pro

## ProCor Optima 1000/al



### FEATURES

- Tool less entry via four stainless steel positive locking latches.
- High temperature silicone gaskets provide a watertight seal.
- Ceiling, pendant, stanchion and wall mount types.
- Field replaceable globe and gaskets.
- Shallow dome reflector available.

### APPLICATIONS

- Low bay
- Marine & watertight requirements
- Dusttight requirements
- Waste water treatment plants
- Pulp and paper production
- Pharmaceutical & additives formulation & processing
- Corrosive environments

### APPROVALS

- Type 4X
- Conforms to IP66
- ABS

### STANDARDS

- UL 1598 - Luminaires
- CSA - C22.2 No. 250-04

### TECHNICAL SPECIFICATIONS

#### HOUSING AND MOUNTS

Copper free aluminum with an electrostatically applied white polyester powder coat finish.

#### GLOBE RETAINING RING

Stainless steel.

#### LATCHES

Stainless steel, over the center cam.

#### GLOBE

Clear polycarbonate or Type V distribution, prismatic polycarbonate.

#### REFLECTORS

Optional shallow dome acrylonitrile butadiene styrene (ABS), gloss white.

#### MOUNTINGS

Ceiling, pendant, stanchion and wall.

#### ENTRIES

$\frac{3}{4}$ " or 1" NPT outlets, stanchion  $1\frac{1}{4}$ " or  $1\frac{1}{2}$ ".

#### GASKETS

One piece silicone.

#### BALLAST

120/208/240/277v 60Hz multi-tap ballast or 480v 60Hz. 50Hz ballasts optional.

#### LAMP TYPE

Luminaires are supplied without lamps.

Lamp Type/ Mogul Base	Wattage	ANSI Code	Ambient Temp	Supply Wire
HPS	50	S68	40/55°C	65/75°C
HPS	70	S62	40/55°C	65/75°C
HPS	100	S54	40/55°C	65/75°C
MH	70	M98	40°C	105°C
MH	100	M90	40°C	105°C

## ORDERING REFERENCES

PXA
P3
R
10
MT
IR

- 1. Lamp Type**
  - PXA - High Pressure Sodium
  - PHA - Metal Halide
- 2. Mounting Type & Outlets**
  - B2 - 1" Wall Mount 2 Way
  - B3 - 3/4" Wall Mount 2 Way
  - B4 - 3/4" Wall Mount 4 Way
  - B5 - 1" Wall Mount 4 Way
  - C2 - 1" Ceiling Mount 2 Way
  - C3 - 3/4" Ceiling Mount 2 Way
  - C4 - 3/4" Ceiling Mount 4 Way
  - C5 - 1" Ceiling Mount 4 Way
  - P1 - 1" Pendant Mount
  - P3 - 3/4" Pendant Mount
  - S - 1 1/4" Stanchion Mount
  - S1 - 1 1/2" Stanchion Mount
- 3. Globes**
  - R - Polycarbonate Refractor Globe
  - X - Polycarbonate Clear Globe
- 4. Wattage**
  - 50 - 50w (PXA)
  - 70 - 70w
  - 10 - 100w
- 5. Voltage**
  - MT - 120/208/240/277v 60Hz Multi-tap
  - 486 - 480v 60Hz

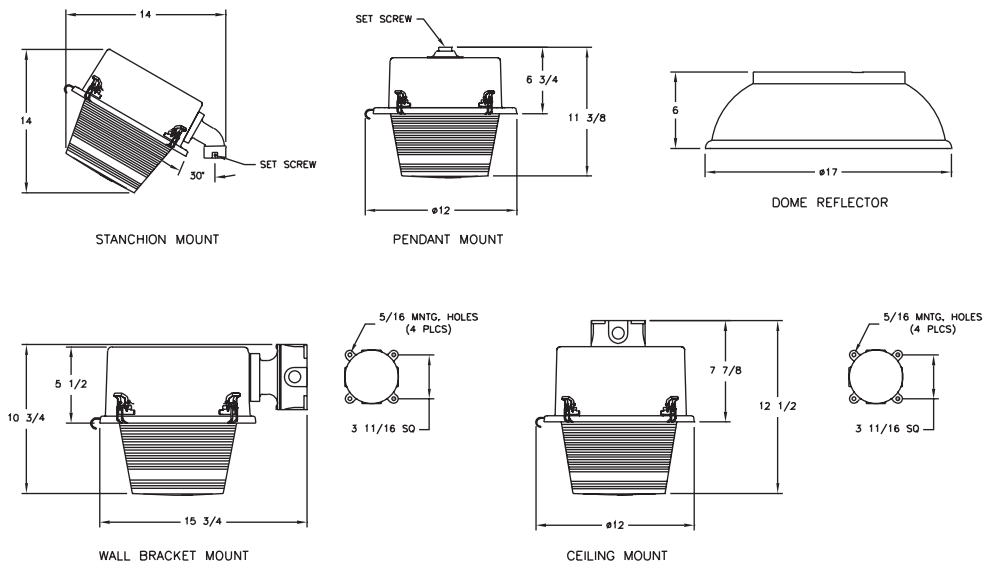
Note: For 50Hz ballast consult factory.
- 6. Special Options**
  - IR\* - Instant Restrike
  - F - Fused Ballast
  - L - Shallow Dome Reflector

\*High Pressure Sodium only.

## SPARE PARTS

Part No.	Description	Part No.	Description
INX5118	BALLAST, High Pressure Sodium 50w	INX4567	REFLECTOR Shallow Dome
INX5116	BALLAST, High Pressure Sodium 70w	INX7050P1A	MOUNTING, Pendant 1"
INX5113	BALLAST, High Pressure Sodium 100w	INX7050P3A	MOUNTING, Pendant 3/4"
INX5135	BALLAST, Metal Halide 70w	INX7051C2A	MOUNTING, Ceiling 1" 2 Way
INX5133	BALLAST, Metal Halide 100w	INX7051C3A	MOUNTING, Ceiling 3/4" 2 Way
INX2169	GLOBE, Polycarbonate Refractor	INX7051C4A	MOUNTING, Ceiling 3/4" 4 Way
INX2181	GLOBE, Polycarbonate Clear	INX7051C5A	MOUNTING, Ceiling 1" 4 Way
INX3687	LAMP, High Pressure Sodium 50w	INX7055SA	MOUNTING, Stanchion 1 1/4"
INX3662	LAMP, High Pressure Sodium 70w	INX7055S1A	MOUNTING, Stanchion 1 1/2"
INX3535	LAMP, High Pressure Sodium 100w	INX7056B2A	MOUNTING, Wall 1" 2 Way
INX3683	LAMP, Metal Halide 70w	INX7056B3A	MOUNTING, Wall 3/4" 2 Way
INX3682	LAMP, Metal Halide 100w	INX7056B4A	MOUNTING, Wall 3/4" 4 Way
INX4100	LAMP HOLDER	INX7056B5A	MOUNTING, Wall 1 4 Way

## DIMENSIONS



Dimensions in inches

# Pro

## ProCor Optima 1010/al



### FEATURES

- Maintenance friendly removable ballast tray.
- Tool less entry via four stainless steel over the center cam latches.
- One-piece high temperature silicone gaskets provide a watertight seal.
- Ceiling, pendant, stanchion and wall mount types.
- Field replaceable globe and gaskets.
- Tool less lamp replacement.
- Choice of angled or shallow dome reflectors.

### APPLICATIONS

- Mid & low bay
- Marine & watertight requirements
- Dusttight requirements
- Waste water treatment plants
- Pulp and paper production
- Pharmaceutical & additives formulation & processing
- Corrosive environments

### APPROVALS

- Type 4X
- Conforms to IP66
- ABS

### STANDARDS

- UL 1598 - Luminaires
- CSA - C22.2 No. 250-04

### TECHNICAL SPECIFICATIONS

#### HOUSING AND MOUNTS

Copper free aluminum with an electrostatically applied white polyester powder coat finish.

#### GLOBE RETAINING RING

Stainless steel.

#### LATCHES

Stainless steel, over the center cam.

#### GLOBE

Internally fluted glass. Clear globe optional.

#### REFLECTORS

Optional 30° angled or shallow dome acrylonitrile butadiene styrene (ABS), gloss white.

#### MOUNTINGS

Ceiling, pendant, stanchion and wall mount types

#### ENTRIES

¾" or 1" NPT outlets, stanchion 1¼" or 1½".

#### GASKETS

Silicone.

#### GUARD

Optional stainless steel guard.

#### BALLAST

120/208/240/277v 60Hz multi-tap ballast or 480v 60Hz. 50Hz ballasts optional.

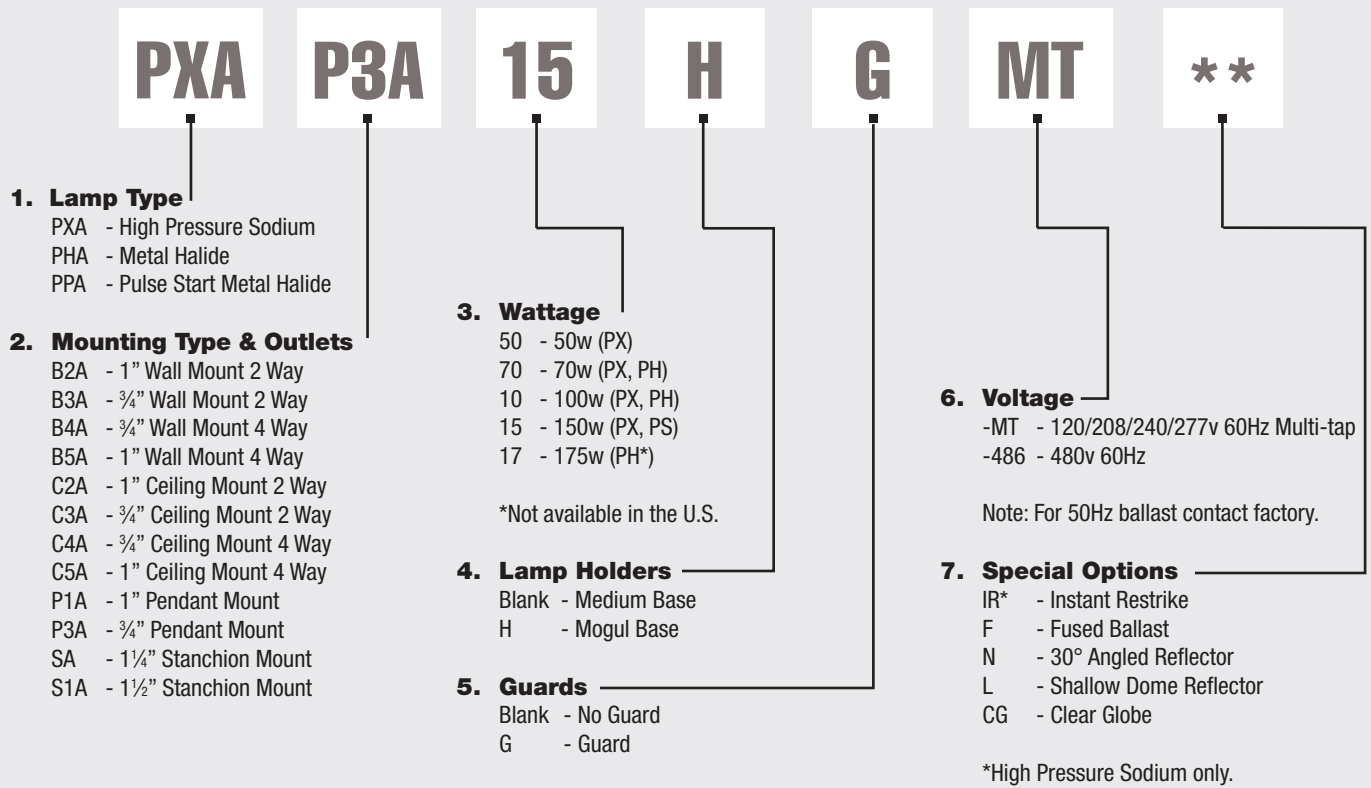
#### LAMP TYPE

Luminaires are supplied without lamps.

Lamp Type/ Base	Wattage	ANSI Code	Ambient Temp	Supply Wire Temp
HPS (MED)	50	S68	25°C	90°C
HPS (MED)	70	S62	25°C	90°C
HPS (MED)	100	S54	25°C	90°C
HPS (MED)	150	S55	25°C	90°C
HPS (MOG)	50	S68	40°C	90°C
HPS (MOG)	70	S62	40°C	90°C
HPS (MOG)	100	S54	40°C	90°C
HPS (MOG)	150	S55	40°C	90°C
MH (MED)	70	M98	25°C	110°C
MH (MED)	100	M90	25°C	110°C
MH (MED)	175*	M57	25°C	110°C
MH (MOG)	70	M98	25°C	110°C
MH (MOG)	100	M90	25°C	110°C
MH (MOG)	175*	M57	25°C	110°C
PSMH (MOG)	150	M102	25°C	110°C

\*Not available in the U.S.

## ORDERING REFERENCES

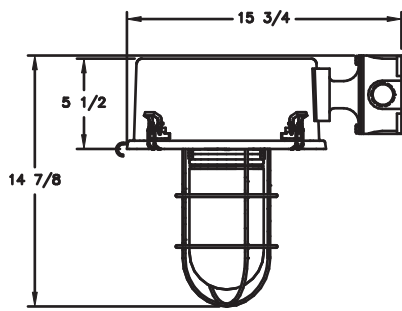


## SPARE PARTS

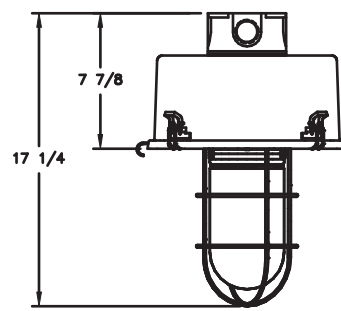
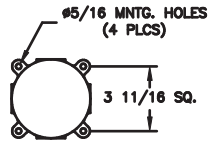
Part No.	Description
INX5118	MULTI TAP BALLAST, High Pressure Sodium, 50w
INX5116	MULTI TAP BALLAST, High Pressure Sodium, 70w
INX5113	MULTI TAP BALLAST, High Pressure Sodium, 100w
INX5110	MULTI TAP BALLAST, High Pressure Sodium, 150w
INX5135	MULTI TAP BALLAST, Metal Halide, 70w
INX5133	MULTI TAP BALLAST, Metal Halide, 100w
INX5022	MULTI TAP BALLAST, Metal Halide, 175w
INX5263	MULTI TAP BALLAST, Pulse Start Metal Halide, 150w
INX3653	LAMP MEDIUM BASE, High Pressure Sodium, 50w
INX3621	LAMP MEDIUM BASE, High Pressure Sodium, 70w
INX3632	LAMP MEDIUM BASE, High Pressure Sodium, 100w
INX3593	LAMP MEDIUM BASE, High Pressure Sodium, 150w
INX3647	LAMP MEDIUM BASE, Metal Halide, 70w
INX3659	LAMP MEDIUM BASE, Metal Halide, 100w
INX3620	LAMP MEDIUM BASE, Metal Halide, 175w
INX3743	LAMP MEDIUM BASE, Pulse Start Metal Halide, 150w
INX3687	LAMP MOGUL BASE, High Pressure Sodium, 50w
INX3662	LAMP MOGUL BASE, High Pressure Sodium, 70w
INX3535	LAMP MOGUL BASE, High Pressure Sodium, 100w
INX3651	LAMP MOGUL BASE, High Pressure Sodium, 150w
INX3683	LAMP MOGUL BASE, Metal Halide, 70w
INX3682	LAMP MOGUL BASE, Metal Halide, 100w
INX3551	LAMP MOGUL BASE, Metal Halide, 175w
INX3744	LAMP MOGUL BASE, Pulse Start Metal Halide, 150w
INX7050P1A	MOUNTING, Pendant 1"
INX7050P3A	MOUNTING, Pendant 3/4"
INX7051C2A	MOUNTING, Ceiling 1" 2 Way
INX7051C3A	MOUNTING, Ceiling 3/4" 2 Way
INX7051C4A	MOUNTING, Ceiling 3/4" 4 Way
INX7051C5A	MOUNTING, Ceiling 1" 4 Way
INX7055SA	MOUNTING, Stanchion 1 1/4"
INX7055S1A	MOUNTING, Stanchion 1 1/2"
INX7056B2A	MOUNTING, Wall 1" 2 Way
INX7056B3A	MOUNTING, Wall 3/4" 2 Way
INX7056B4A	MOUNTING, Wall 3/4" 4 Way
INX7056B5A	MOUNTING, Wall 1" 4 Way
INX4564	REFLECTOR, 30° Angled Reflector
INX4565	REFLECTOR, Shallow Dome Reflector
INX2150	GLOBE, Fluted
INX2008HR	GLOBE, Clear
GKT6090	GASKET, Housing
GKT2013	GASKET, Globe Base
INX4096	LAMP HOLDER, Medium
INX4100	LAMP HOLDER, Mogul
INX1057	LAMP HOLDER, Guard

# ProCor Optima 1010/al

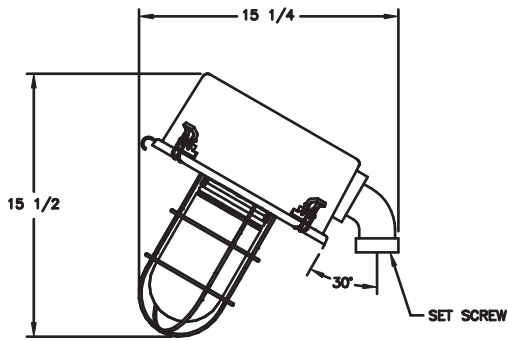
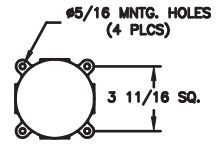
## DIMENSIONS



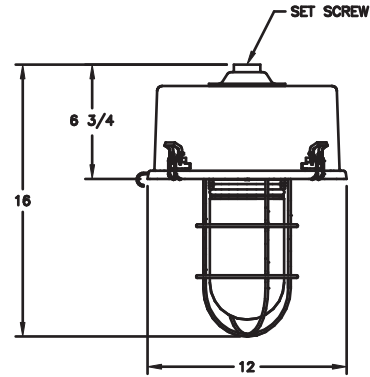
WALL MOUNT



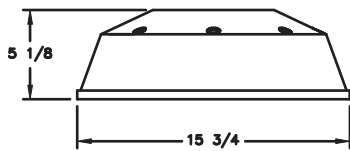
CEILING MOUNT



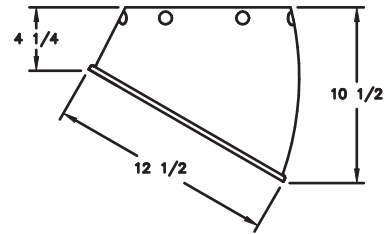
STANCHION MOUNT



PENDANT MOUNT



DOME REFLECTOR



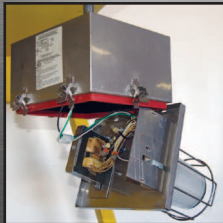
ANGLE REFLECTOR

Dimensions in inches

NOTES

# Pro

## ProCor Optima 1020/al



Removable Ballast Tray

### FEATURES

- Maintenance friendly removable ballast tray.
- Tool less entry via four stainless steel over the center cam latches.
- Lamp base isolated from ballast compartment for higher ambient suitability.
- Tool less lamp replacement.
- Open bottom stainless steel wire guard allows access to the globe for easy relamping.
- High temperature silicone gaskets provide a watertight seal.
- Ceiling, pendant, stanchion or wall mount types.
- Field replaceable globe and gaskets.
- Choice of angled or shallow dome reflectors.

### APPLICATIONS

- Mid bay
- Marine & watertight requirements
- Dusttight requirements
- Waste water treatment plants
- Pulp and paper production
- Pharmaceutical & additives formulation & processing
- Corrosive environments

### APPROVALS

- Type 4X
- Conforms to IP66
- ABS

### STANDARDS

- UL 1598 - Luminaires
- CSA - C22.2 No. 250-04

### TECHNICAL SPECIFICATIONS

#### HOUSING AND MOUNTS

Copper free aluminum with an electrostatically applied white polyester powder coat finish.

#### GLOBE RETAINING RING

Stainless steel.

#### LATCHES

Stainless steel, over the center cam.

#### GLOBE

Internally fluted glass.

#### REFLECTORS

Optional 30° angled or shallow dome acrylonitrile butadiene styrene (ABS), gloss white.

#### MOUNTINGS

Ceiling, pendant, stanchion and wall.

#### ENTRIES

¾" or 1" NPT outlets, stanchions 1¼" or 1½".

#### GASKETS

One piece silicone.

#### GUARD

Optional stainless steel.

#### LAMP TYPE

Luminaires are supplied without lamps.

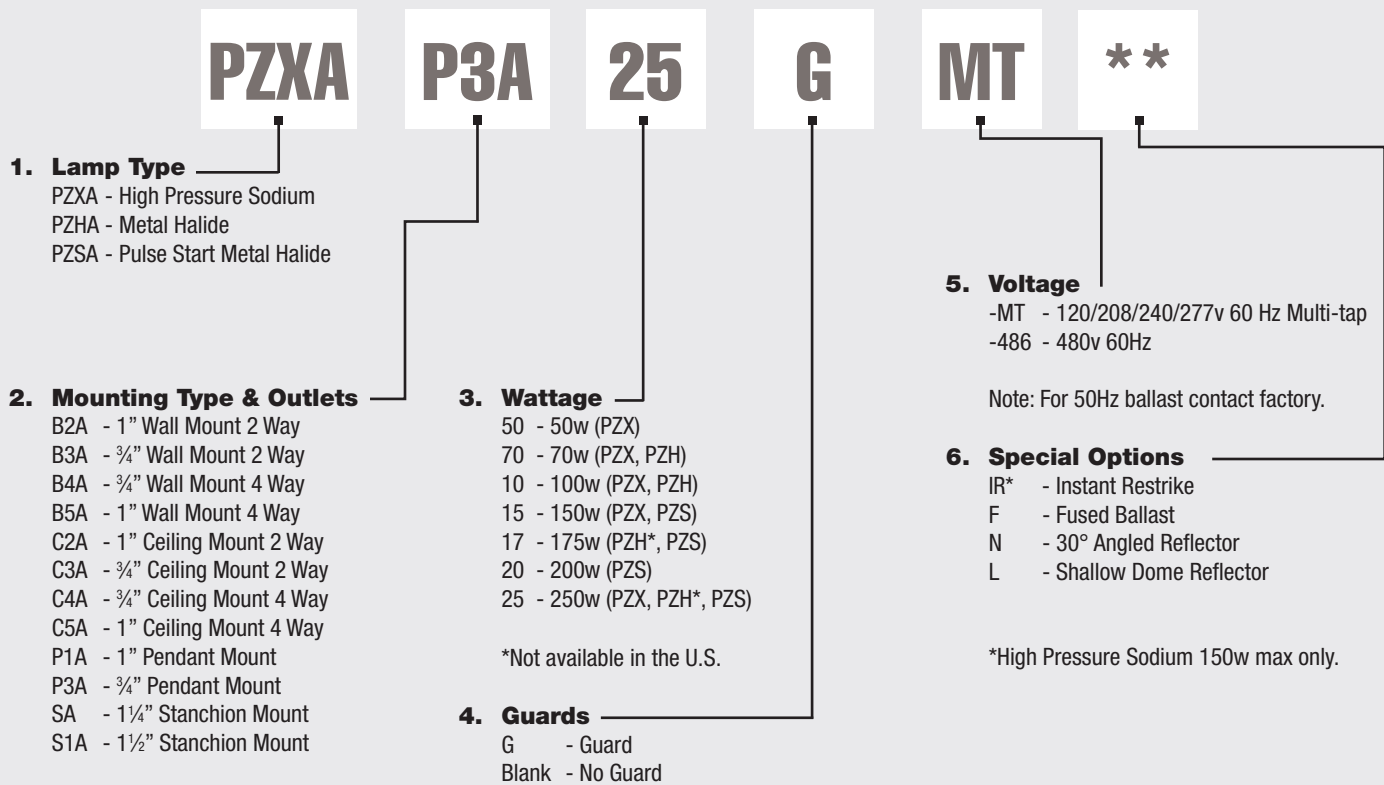
#### BALLAST

120/208/240/277v 60Hz multi-tap ballast or 480v 60Hz. 50Hz ballasts optional.

Lamp Type/ Mogul Base	Wattage	ANSI Code	Ambient Temp	Supply Wire Temp
HPS	50	S68	40°C	75°C
HPS	70	S62	40°C	75°C
HPS	100	S54	40°C	75°C
HPS	150	S55	40°C	75°C
HPS	250	S50	40°C	85°C
MH	70	M98	40°C	75°C
MH	100	M90	40°C	75°C
MH	175*	M57	40°C	75°C
MH	250*	M58	40°C	85°C
PSMH	150	M120	40°C	75°C
PSMH	175	M137	40°C	75°C
PSMH	200	M136	40°C	75°C
PSMH	250	M138	40°C	75°C

\*Not available in the U.S.

## ORDERING REFERENCES

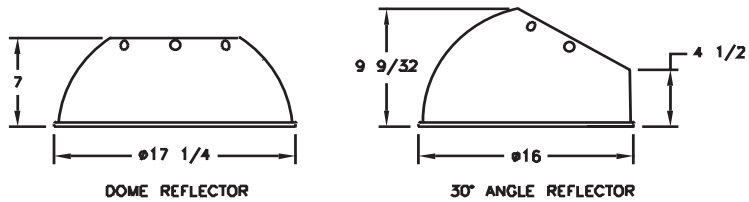
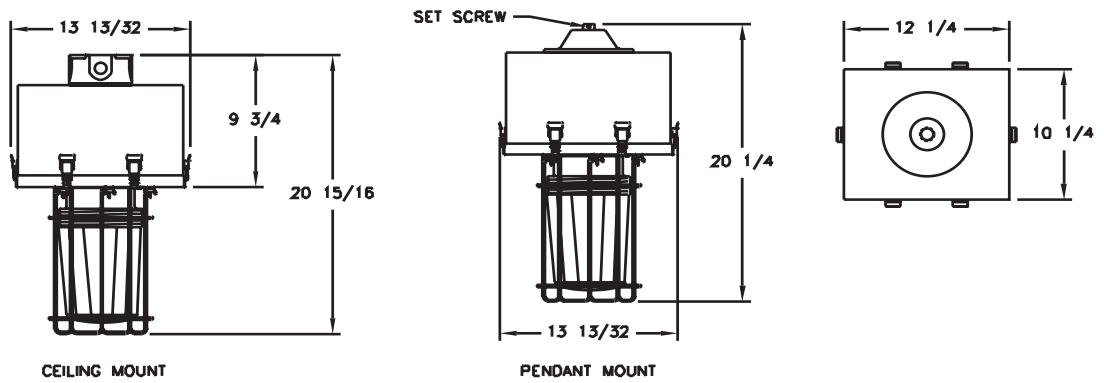
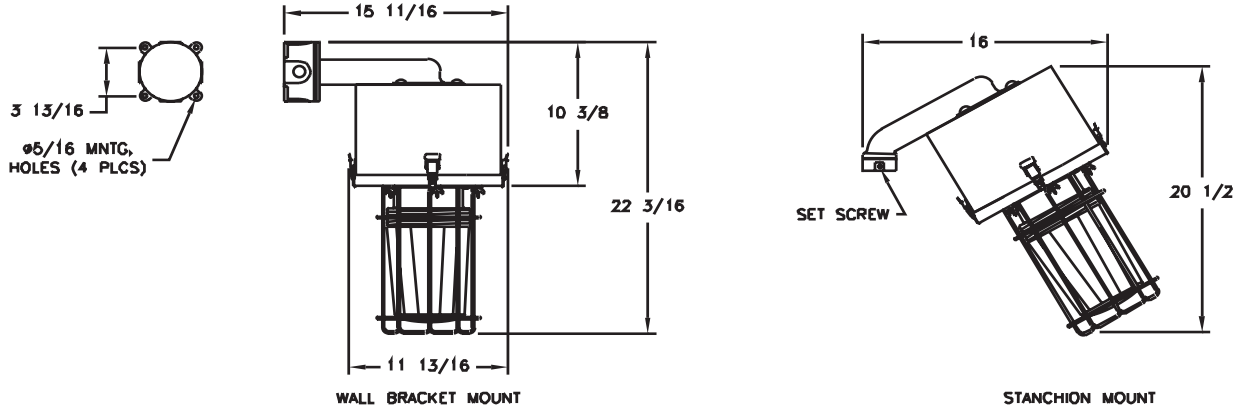


## SPARE PARTS

Part No.	Description	Part No.	Description
INX5118	MULTI TAP BALLAST, High Pressure Sodium, 50w	INX3738	LAMP MOGUL BASE, Pulse Start Metal Halide, 200w
INX5116	MULTI TAP BALLAST, High Pressure Sodium, 70w	INX3734	LAMP MOGUL BASE, Pulse Start Metal Halide, 250w
INX5113	MULTI TAP BALLAST, High Pressure Sodium, 100w	INX7050P1A	MOUNTING, Pendant 1"
INX5110	MULTI TAP BALLAST, High Pressure Sodium, 150w	INX7050P3A	MOUNTING, Pendant 3/4"
INX5176	MULTI TAP BALLAST, High Pressure Sodium, 250w	INX7051C2A	MOUNTING, Ceiling 1" 2 Way
INX5135	MULTI TAP BALLAST, Metal Halide, 70w	INX7051C3A	MOUNTING, Ceiling 3/4" 2 Way
INX5133	MULTI TAP BALLAST, Metal Halide, 100w	INX7051C4A	MOUNTING, Ceiling 3/4" 4 Way
INX5022	MULTI TAP BALLAST, Metal Halide, 175w	INX7051C5A	MOUNTING, Ceiling 1" 4 Way
INX5182	MULTI TAP BALLAST, Metal Halide, 250w	INX7053SA	MOUNTING, Stanchion 1 1/4"
INX5263	MULTI TAP BALLAST, Pulse Start Metal Halide, 150w	INX7053S1A	MOUNTING, Stanchion 1 1/2"
INX5244	MULTI TAP BALLAST, Pulse Start Metal Halide, 175w	INX7052B2A	MOUNTING, Wall 1" 2 Way
INX5251	MULTI TAP BALLAST, Pulse Start Metal Halide, 200w	INX7052B3A	MOUNTING, Wall 3/4" 2 Way
INX5245	MULTI TAP BALLAST, Pulse Start Metal Halide, 250w	INX7052B4A	MOUNTING, Wall 3/4" 4 Way
INX3687	LAMP MOGUL BASE, High Pressure Sodium, 50w	INX7052B5A	MOUNTING, Wall 1" 4 Way
INX3662	LAMP MOGUL BASE, High Pressure Sodium, 70w	INX4567	REFLECTOR, 30° Angled Reflector
INX3535	LAMP MOGUL BASE, High Pressure Sodium, 100w	INX4568	REFLECTOR, Shallow Dome Reflector
INX3651	LAMP MOGUL BASE, High Pressure Sodium, 150w	INX2136	GLOBE, Fluted
INX3546	LAMP MOGUL BASE, High Pressure Sodium, 250w	GKT6089-41	GASKET, Housing
INX3683	LAMP MOGUL BASE, Metal Halide, 70w	GKT3021-1	GASKET, Globe Base
INX3682	LAMP MOGUL BASE, Metal Halide, 100w	INX4004	LAMP HOLDER, HPS, MH
INX3551	LAMP MOGUL BASE, Metal Halide, 175w	INX4100	LAMP HOLDER, PSMH
INX3541	LAMP MOGUL BASE, Metal Halide, 250w	INX1059	LAMP HOLDER, GUARD
INX3744	LAMP MOGUL BASE, Pulse Start Metal Halide, 150w		
INX3732	LAMP MOGUL BASE, Pulse Start Metal Halide, 175w		

# ProCor Optima 1020/al

## DIMENSIONS



Dimensions in inches

## NOTES

# Pro

## ProFlood Goliath 2000/al



### FEATURES

- 70 - 175w HID.
- Compact design for maximum mounting flexibility.
- Field replaceable, thermal shock resistant tempered glass lens.
- High temperature silicone gasket provide a watertight seal.
- Tool less entry via eight positive locking stainless steel latches.
- Captive lens frame with stainless steel door retainers for easy lamp replacement.
- Optional safety cable attachment points.
- Remote ballast available.
- Tested and approved over 180° aiming range, enabling face up through face down mounting.
- Wide NEMA 7 x 6 beam spread.
- Optional vibration resistant lamp holder.
- Choice of mounting arrangements in surface, pole, right angle and crane boom (via a modified housing).

### APPLICATIONS

- Marine & watertight requirements
- Dusttight requiremetns
- Waste water treatment plants
- Pulp and paper production
- Corrosive environments
- Façade security lighting

### APPROVALS

- Type 4X
- Conforms to IP66
- ABS

### STANDARDS

- UL 1598 - Luminaires
- CSA - C22.2 No. 250-04

### TECHNICAL SPECIFICATIONS

#### HOUSING

Copper free aluminum with an electrostatically applied white polyester powder coat finish.

#### WIND RATING

EPA - 2.24 at vertical.

#### LENS FRAME

Type 316 stainless steel.

#### MOUNTING BRACKETS

Type 316 stainless steel trunnion mount. Please see SPARE PARTS for additional selections.

#### REFLECTORS

Hammertone aluminum.

#### ENTRIES

One 3/4" NPT.

#### LENS

Tempered glass.

#### BALLAST

Standard: Multi-tap 120/208/240/277v 60 Hz.

Optional: 220v, 347v, or 480v 60Hz, and 220v or 240v 50Hz.

Optional: Remote ballast suitable for use up to 50 feet from luminaire.

#### GASKET

One piece silicone.

#### GUARD

Optional, type 316 stainless steel.

#### VISOR

Optional, top or top and side, copper free aluminum with an electrostatically applied white polyester powder coat finish.

#### LAMP HOLDER

Mogul base, porcelain.

#### LAMP TYPES

High Pressure Sodium, Metal Halide\* and Pulse Start Metal Halide. Luminaires supplied without lamps.

\*Not available in the U.S.

## ORDERING REFERENCES

PART NUMBER	LAMP TYPE	WATTAGE	WEIGHT LBS	ANSI LAMP TYPE	AMBIENT TEMP	SUPPLY WIRE TEMP
PHIDLA7IB	High Pressure Sodium	70w	21.0	S62	40°C	110°C
PHIDLA11IB	High Pressure Sodium	100w	23.0	S54	40°C	110°C
PHIDLA15IB	High Pressure Sodium	150w	24.0	S55	40°C	110°C
PHIDHA17IB*	Metal Halide	175w	22.0	M57	40°C	125°C
PHIDPA15IB	Pulse Start Metal Halide	150w	24.0	M102	40°C	110°C
PHIDPA17IB	Pulse Start Metal Halide	175w	23.0	M152	40°C	125°C

\*Not available in the U.S.

## SPECIAL OPTIONS

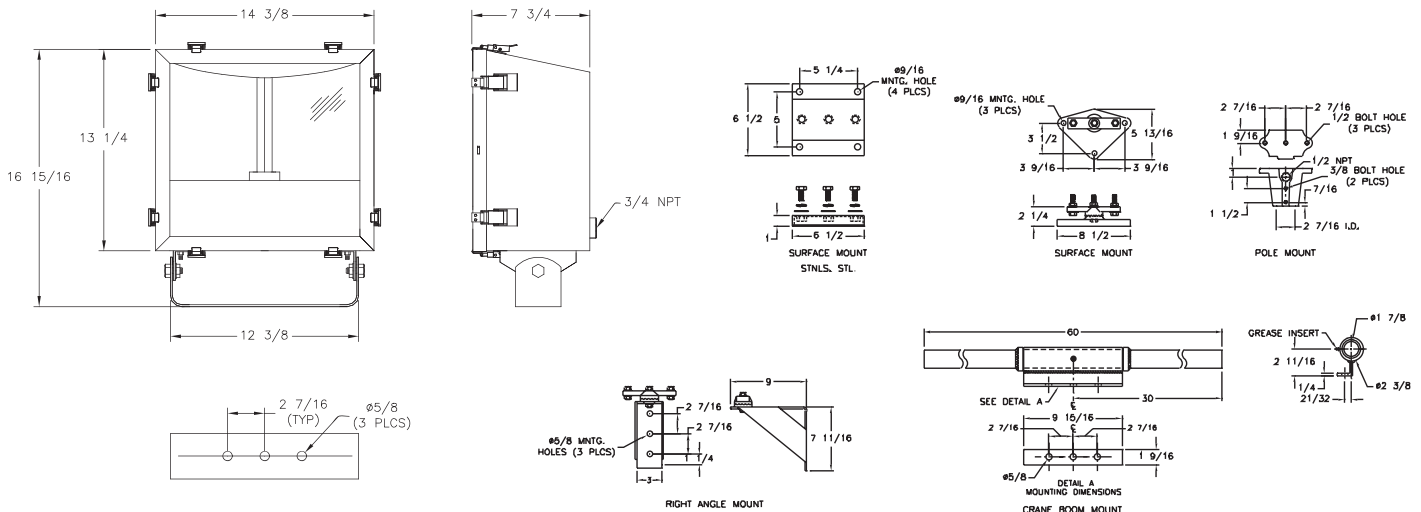
LC - Auxiliary Quartz Light (Light continuator)	-486 - 480v 60Hz
F - Fused Ballast	RB* - Remote Ballast
IR - Instant Restrike (High Pressure Sodium only)	SP - Vibration Resistant Lamp Holder
W* - Dual Safety Cable Attachment Points	G* - Stainless Steel Guard
-225 - 220v 50Hz	CB* - Crane Boom Modified Housing (Includes option SP)
-226 - 220v 60Hz	TV* - Top Visor
-245 - 240v 50Hz	SV* - Top and Side Visor
-346 - 347v 60Hz	

\*Cannot be field installed, specify at order placement.

## SPARE PARTS

Part No.	Description
INX5087	BALLAST, High Pressure Sodium 70W
INX5014	BALLAST, High Pressure Sodium 100W
INX5015	BALLAST, High Pressure Sodium 150W
INX5022	BALLAST, Metal Halide 175w
INX5263	BALLAST, Pulse Start Metal Halide 150w
INX5244	BALLAST, Pulse Start Metal Halide 175w
INX3662	LAMP, High Pressure Sodium 70w
INX3535	LAMP, High Pressure Sodium 100W
INX3651	LAMP, High Pressure Sodium 150W
INX3557	LAMP, Metal Halide 175W
INX3744	LAMP, Pulse Start Metal Halide 150W
INX3732	LAMP, Pulse Start Metal Halide 175W
INX4100	LAMP HOLDER
INX2152	LENS
GKT6089-49	GASKET
INX7007A	MOUNTING, Surface Aluminum
INX7007SS	MOUNTING, Surface Stainless Steel
INX7006A	MOUNTING, Pole Aluminum
INX7006SS	MOUNTING, Pole Stainless Steel
INX7091	MOUNTING, Pole Stainless Steel (No cable feed thru)
INX7058S	MOUNTING, Right Angle
INX7001	MOUNTING, Crane Boom (Requires crane boom housing)
SC30H	SAFETY CABLE, 48" Stainless Steel, Snap Hook

## DIMENSIONS



Dimensions in inches

# Pro

## ProFlood Goliath 2010/al



### FEATURES

- 250 - 400w HID.
- Field replaceable, thermal shock resistant tempered glass lens.
- High temperature silicone gasket provides a watertight seal.
- Tool less entry via eight positive locking stainless steel latches.
- Captive lens frame with stainless steel door retainers for easy lamp replacement.
- Optional safety cable attachment points.
- Remote ballast available.
- Tested and approved over 180° aiming range, enabling face up through face down mounting.
- Very wide NEMA 7 x 7 beam spread.
- Optional vibration resistant lamp holder.
- Choice of mounting arrangements in surface, pole, right angle and crane boom (via a modified housing).

### APPLICATIONS

- Marine & watertight requirements
- Dusttight requirements
- Waste water treatment plants
- Pulp and paper production
- Corrosive environments
- Façade security lighting

### APPROVALS

- Type 4X
- Conforms to IP66
- ABS

### STANDARDS

- UL 1598 - Luminaires
- CSA - C22.2 No. 250-04

### TECHNICAL SPECIFICATIONS

#### HOUSING

Copper free aluminum with an electrostatically applied white polyester powder coat finish.

#### WIND RATING

EPA - 3.62 at vertical.

#### LENS FRAME

Type 316 stainless steel.

#### MOUNTING BRACKETS

Type 316 stainless steel trunnion mount. Please see SPARE PARTS for additional selections.

#### REFLECTORS

Hammertone aluminum.

#### ENTRIES

One ¼" NPT.

#### LENS

Tempered glass.

#### BALLAST

Standard: Multi-tap 120/208/240/277v 60 Hz.

Optional: 220v, 347v, or 480v 60Hz, and 220v or 240v 50Hz.

Optional: Remote ballast suitable for use up to 50 feet from luminaire.

#### GASKET

One piece silicone.

#### GUARD

Optional, type 316 stainless steel.

#### VISOR

Optional, top or top and side, copper free aluminum with an electrostatically applied white polyester powder coat finish.

#### LAMP HOLDER

Mogul base, porcelain.

#### LAMP TYPES

High Pressure Sodium, Metal Halide\* and Pulse Start Metal Halide. Luminaires supplied without lamps.

\*Not available in the U.S.

## ORDERING REFERENCES

PART NUMBER	LAMP TYPE	WATTAGE	WEIGHT LBS	ANSI LAMP TYPE	AMBIENT TEMP	SUPPLY WIRE TEMP
PHIDLA25IB	High Pressure Sodium	250w	32.0	S50	25°C	125°C
PHIDLA4IB	High Pressure Sodium	400w	35.0	S51	25°C	125°C
PHIDHA25IB*	Metal Halide	250w	31.0	M58	25°C	125°C
PHIDHA4IB*	Metal Halide	400w	35.0	M59	25°C	125°C
PHIDPA25IB	Pulse Start Metal Halide	250w	32.0	M153	25°C	125°C
PHIDPA4IB	Pulse Start Metal Halide	400w	36.0	MI55	25°C	125°C

\*Not available in the U.S.

## SPECIAL OPTIONS

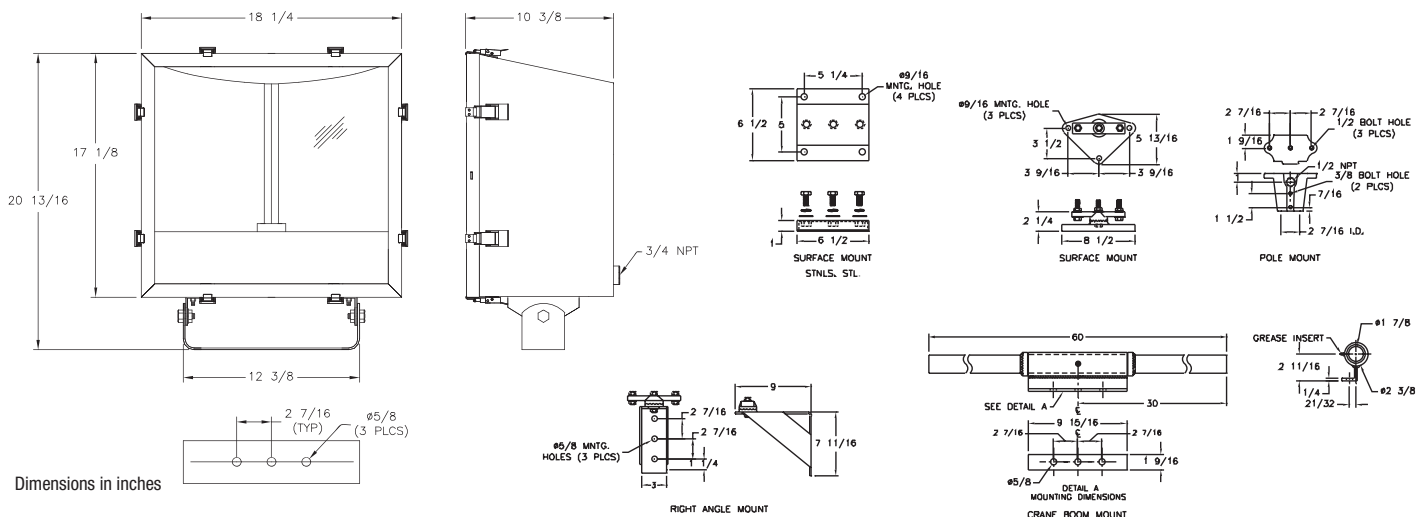
- |   |  |
|---|--|
| LC - Auxiliary Quartz Light (Light continuator) | RB* - Remote Ballast                                   |
| F - Fused Ballast                               | SP - Vibration Resistant Lamp Holder                   |
| W* - Dual Safety Cable Attachment Points        | G* - Stainless Steel Guard                             |
| -225 - 220v 50Hz                                | CB* - Crane Boom Modified Housing (Includes option SP) |
| -226 - 220v 60Hz                                | TV* - Top Visor  |
| -245 - 240v 50Hz                                | SV* - Top and Side Visor                               |
| -346 - 347v 60Hz                                |  |
| -486 - 480v 60Hz                                |  |

\*Cannot be field installed, specify at order placement.

## SPARE PARTS

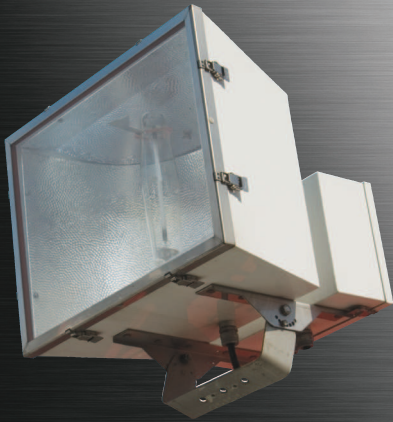
Part No.	Description
INX5021	BALLAST, High Pressure Sodium 250w
INX5019	BALLAST, High Pressure Sodium 400W
INX5102	BALLAST, Metal Halide 250w
INX5033	BALLAST, Metal Halide 400w
INX5245	BALLAST, Pulse Start Metal Halide 250W
INX5246	BALLAST, Pulse Start Metal Halide 400w
INX3546	LAMP, High Pressure Sodium 250w
INX3517	LAMP, High Pressure Sodium 400w
INX3541	LAMP, Metal Halide 250w
INX3524	LAMP, Metal Halide 400w
INX3733	LAMP, Pulse Start Metal Halide 250W
INX3734	LAMP, Pulse Start Metal Halide 400W
INX4004	LAMP HOLDER, HPS, PSMH
INX4100	LAMP HOLDER, MH
INX2153	LENS
INX9061	LENS FRAME & GUARD
INX1065	GUARD
GKT6089-65	GASKET
INX7007A	MOUNTING, Surface Aluminum
INX7007SS	MOUNTING, Surface Stainless Steel
INX7006A	MOUNTING, Pole Aluminum
INX7006SS	MOUNTING, Pole Stainless Steel
INX7091	MOUNTING, Pole Stainless Steel (No cable feed thru)
INX7058S	MOUNTING, Right Angle
INX7001	MOUNTING, Crane Boom (Requires Crane Boom Housing)
SC30H	SAFETY CABLE, 48" Stainless Steel, Snap Hook

## DIMENSIONS



# Pro

## ProFlood Goliath 2020/al



### FEATURES

- 1000w HID.
- Ballast gear housed in separate, attached enclosure. Allows for easy access and cool running operation.
- Field replaceable, thermal shock resistant tempered glass lens.
- High temperature silicone gaskets provide a watertight seal.
- Tool less entry via eight positive locking stainless steel latches.
- Captive lens frame with stainless steel door retainers for easy lamp replacement.
- Optional safety cable attachment points.
- Remote ballast available.
- Tested and approved over 180° aiming range, enabling face up through face down mounting.
- Very wide NEMA 7 x 7 beam spread.
- Optional vibration resistant lamp holder.
- Choice of mounting arrangements in surface, pole and crane boom (via a modified housing).

### APPLICATIONS

- Marine & watertight requirements
- Dusttight requirements
- Waste water treatment plants
- Pulp and paper production
- Corrosive environments
- Façade security lighting

### APPROVALS

- Type 4X
- Conforms to IP66
- ABS

### STANDARDS

- UL 1598 - Luminaires
- CSA - C22.2 No. 250-04

### TECHNICAL SPECIFICATIONS

#### HOUSING

Copper free aluminum with an electrostatically applied white polyester powder coat finish.

#### WIND RATING

EPA - 5.39 at vertical.

#### LENS FRAME

Type 316 stainless steel.

#### MOUNTING BRACKETS

Type 316 stainless steel trunnion mount. Please see SPARE PARTS for additional selections.

#### REFLECTORS

Hammertone aluminum.

#### ENTRIES

One 3/4" NPT.

#### LENS

Tempered glass.

#### GASKETS

One piece silicone.

#### GUARD

Optional, type 316 stainless steel.

#### BALLAST

Standard: Multi-tap 120/208/240/277v 60Hz.  
Optional: 220v, 347v, or 480v 60Hz, and 220v or 240v 50Hz.  
Optional: Remote ballast suitable for use up to 50 feet from luminaire.

#### LAMP HOLDER

Mogul base, porcelain.

#### LAMP TYPES

High Pressure Sodium, Metal Halide and Pulse Start Metal Halide. Luminaires supplied without lamps.

## ORDERING REFERENCES

PART NUMBER	LAMP TYPE	WATTAGE	WEIGHT LBS	ANSI LAMP TYPE	AMBIENT TEMP	SUPPLY WIRE TEMP
PHIDLA10IB	High Pressure Sodium	1000W	69.0	S52	40°C	75°C
PHIDHA10IB	Metal Halide	1000W	59.0	M47	40°C	75°C
PHIDPA10IB	Pulse Start Metal Halide	1000W	59.0	M141	40°C	75°C

## SPECIAL OPTIONS

LC - Auxiliary Quartz Light (Light continuator)  
 -225 - 220v 50Hz  
 -226 - 220v 60Hz  
 -245 - 240v 50Hz  
 -346 - 347v 60Hz  
 -486 - 480v 60Hz

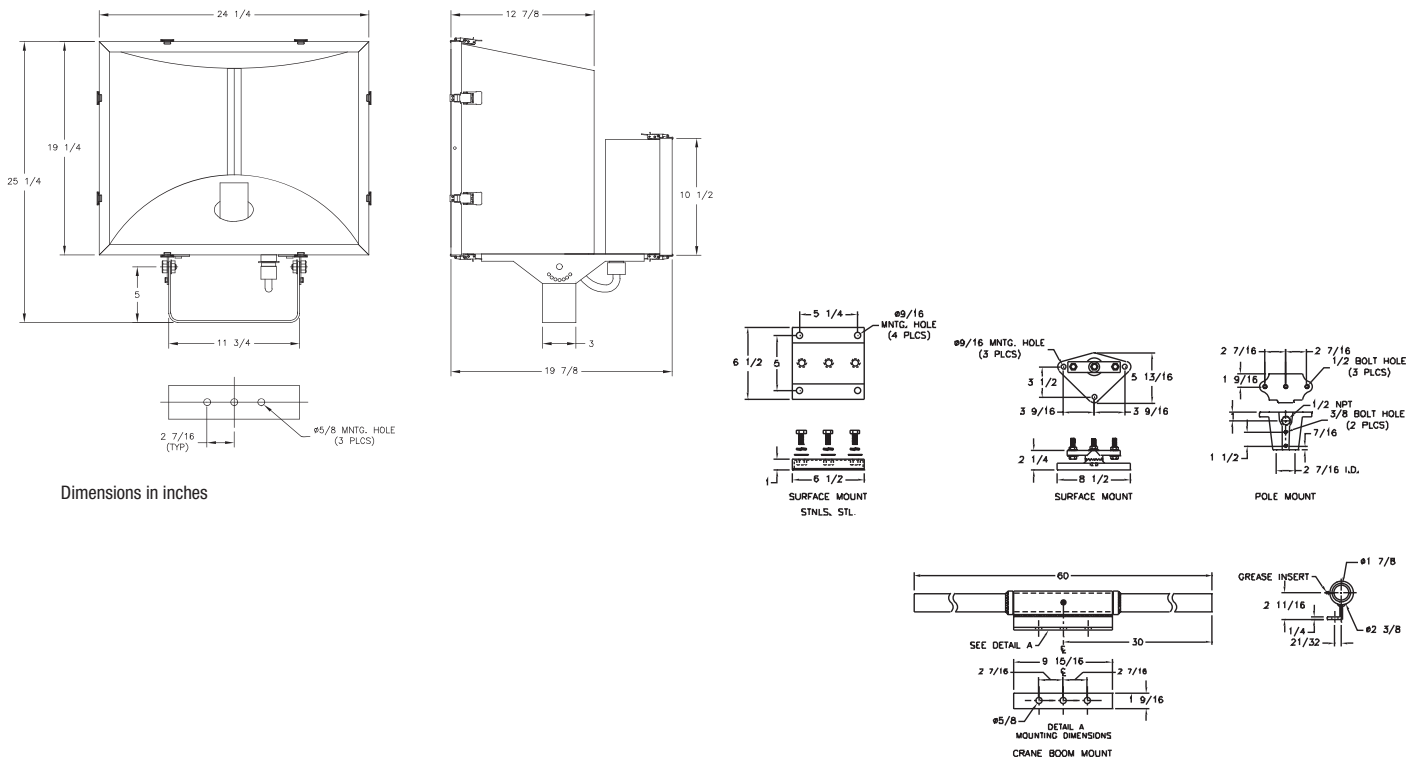
G\* - Stainless Steel Guard  
 W\* - Dual Safety Cable Attachment Points  
 RB\* - Remote Ballast  
 SP - Vibration Resistant Lamp Holder  
 CB\* - Crane Boom Modified Housing (Includes option SP)

\*Cannot be field installed, specify at order placement.

## SPARE PARTS

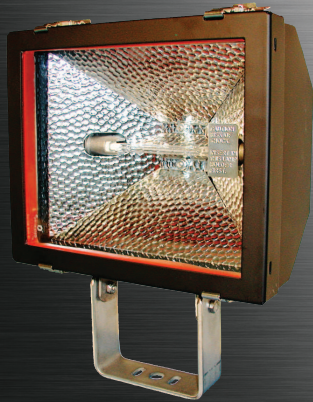
Part No.	Description	Part No.	Description
INX5027	MULTI TAP BALLAST, High Pressure Sodium	INX4004	LAMP HOLDER
INX5031	MULTI TAP BALLAST, Metal Halide	GKT6089-81	GASKET, Lens
INX5261	MULTI TAP BALLAST, Pulse Start Metal Halide	GKT6089-49	GASKET, Component Cover
INX5017	480V 60Hz BALLAST, High Pressure Sodium	INX7007A-1	MOUNTING, Surface Aluminum
INX5032	480V 60Hz BALLAST, Metal Halide	INX7007SS	MOUNTING, Surface Stainless Steel
INX5262	480V 60Hz BALLAST, Pulse Start Metal Halide	INX7006SS	MOUNTING, Pole Stainless Steel
INX3530	LAMP, High Pressure Sodium	INX7006A	MOUNTING, Pole Aluminum
INX3567	LAMP, Metal Halide	INX7091	MOUNTING, Pole Stainless Steel (No cable feed thru)
INX3741	LAMP, Pulse Start Metal Halide	INX7001	MOUNTING, Crane Boom (Requires crane boom housing)
INX2156	LENS	SC30H	SAFETY CABLE, 48" Stainless Steel, Snap Hook

## DIMENSIONS



# Pro

## ProFlood Achiever QA/al



### FEATURES

- 300 - 1500w quartz halogen.
- Rugged yoke mount floodlight with thermal shock resistant tempered glass lens.
- High temperature silicone gasket provides a watertight seal.
- Wide NEMA 6x 6 beam spread.
- Field replaceable lens and gasket.
- Protective guard available.

### APPLICATIONS

- Marine & watertight requirements
- Dusttight requirements
- Waste water treatment plants
- Pulp and paper production
- Corrosive environments

### APPROVALS

- Conforms to IP66
- Marine Outside Type Saltwater
- ABS

### STANDARDS

- UL 1598A - Luminaires for Marine Vessels

### TECHNICAL SPECIFICATIONS

#### HOUSING

Copper free aluminum with an electrostatically applied black polyester powder coat finish.

#### WIND RATING

QA1603/1605: EPA - 0.9 at vertical.

QA1610/1615: EPA - 1.54 at vertical.

#### GUARD

Optional, type 316 stainless steel.

#### MOUNTING BRACKETS

Stainless steel, trunnion.

#### ENTRIES

One watertight cable gland and 6 feet of cable.

#### GASKETS

One piece silicone.

#### HARDWARE

Four stainless steel positive locking spring loaded latches.

#### REFLECTOR

Hammertone aluminum.

#### LENS

Tempered glass.

#### LAMP HOLDERS

Spring loaded.

#### VOLTAGE

300w, 500w models are rated for 120v only.

1000w, 1500w models are rated for 208v, 220v, or 240v.

#### LAMP TYPES

T3 quartz halogen.

300w, 500w lamps provided.

1000w, 1500w lamps not provided unless voltage is specified.

## ORDERING REFERENCES

PART NUMBER	DESCRIPTION	ANSI LAMP TYPE	WEIGHT LBS
QA1603	300w Quartz Halogen	T-3 RSC	5.5
QA1605	500w Quartz Halogen	T-3 RSC	5.5
QA1610*	1000w Quartz Halogen	T-3 RSC	8.5
QA1615*	1500w Quartz Halogen	T-3 RSC	8.5

\*Lamps not provided unless operating voltage is specified when ordering.

## SPECIAL OPTIONS

- GRD\* - Guard
- TV\* - Top/Side Visor
- 208\*\* - 208v (1500w only)
- 220\*\* - 220v
- 240\*\* - 240v

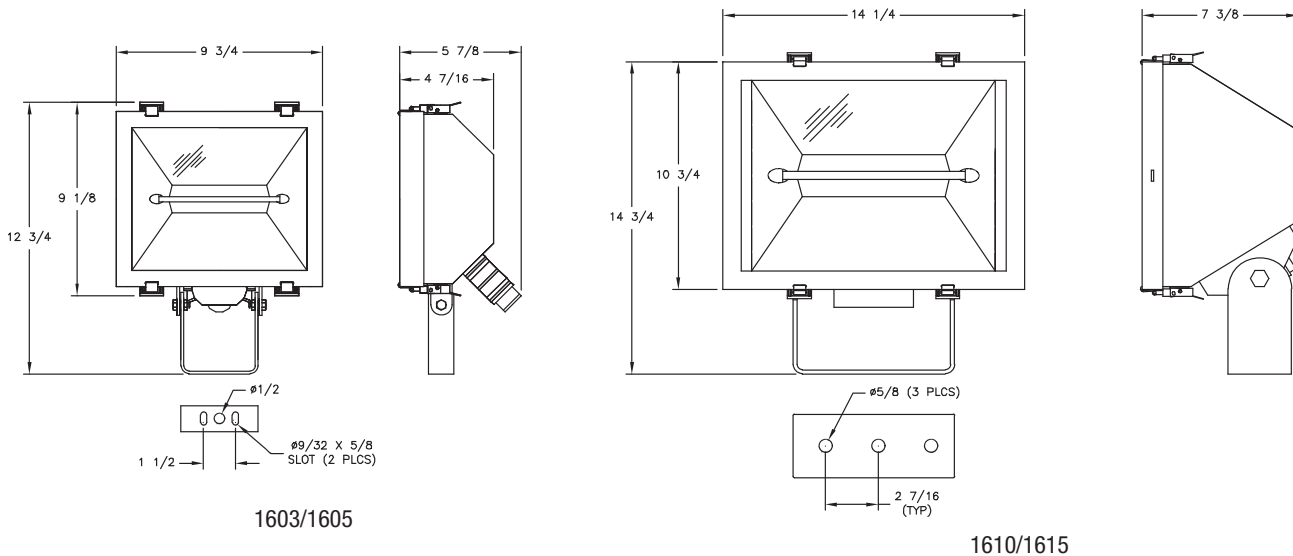
\*Can not be field installed, specify at order placement.

\*\*Not available in 300w or 500w.

## SPARE PARTS

Part No.	Description		
INX2149	LENS, 300w-500w	INX3521	LAMP, 500w Halogen 120v
INX2160	LENS, 1000w-1500w	INX3635	LAMP, 1000w Halogen 220v
INX4095	LAMP HOLDER, 300w-500w	INX3645	LAMP, 1000w Halogen 240v
INX4084	LAMP HOLDER, 1000w-1500w	INX3640	LAMP, 1500w Halogen 208v
GKT6089-30.75	GASKET, 300w-500w	INX3522	LAMP, 1500w Halogen 220v
GKT6089-45	GASKET, 1000w-1500w	INX3646	LAMP, 1500w Halogen 240v
INX3609	LAMP, 300w Halogen 120v	SC30H	SAFETY CABLE, 48" Stainless Steel, Snap Hook

## DIMENSIONS



Dimensions in inches

# Pro

## ProFlood Achiever QC/al



### FEATURES

- 500w quartz halogen.
- Heavy duty "C" clamp design.
- High temperature silicone gaskets provide a watertight seal.
- Cast aluminum finned housing for greater heat dissipation.
- Separate wire connection box for ease of wiring.
- Hinged door for easy lamp replacement and maintenance.
- Thermal shock resistant, tempered 1/4" thick glass lens.
- Double spring loaded sockets extend lamp life in vibration areas.
- Wide NEMA 6 x 6 beam spread.
- Two mounting styles available: trunnion and post-top mount.
- Protective guard available.

### APPLICATIONS

- Onshore drilling and exploration
- Dusttight requirements
- Pulp and paper production
- Emergency evacuation
- Vehicle accessory lighting
- General industrial area lighting
- Security lighting

### APPROVALS

- Enclosed and gasketed
- Type 4
- Conforms to IP66
- ABS

### STANDARDS

- UL 1598 - Luminaires
- CSA Class 3425 03
- CSA Class 3425 83

### TECHNICAL SPECIFICATIONS

#### HOUSING AND LENS FRAME

Cast aluminum.

#### WIND RATING

EPA - <1 at vertical.

#### GUARD

Optional, type 18-8 stainless steel.

#### MOUNTING BRACKETS

Aluminum.

#### ENTRIES

One 1/2" NPT.

#### GASKETS

One piece silicone.

#### HARDWARE

Plated steel.

#### REFLECTOR

Highly specular aluminum.

#### VOLTAGE

120v, optional 220v.

#### LENS

Tempered, 1/4" thick glass.

#### LAMP TYPE

T3 quartz halogen provided.

#### LAMP HOLDER

Double spring loaded.

## ORDERING REFERENCES

PART NUMBER	LAMP TYPE	WATTAGE/ VOLTAGE	WEIGHT LBS	ANSI LAMP TYPE	AMBIENT TEMP	SUPPLY WIRE TEMP
QAC511T	Quartz Halogen	500w 120v	9.5	T-3 RSC	25°C	90°C
QAC512T	Quartz Halogen	500w 240v	9.5	T-3 RSC	25°C	90°C

## SPECIAL OPTIONS

- P - Post-top mount (Replace suffix T)
- WG - Stainless Steel Wire Guard

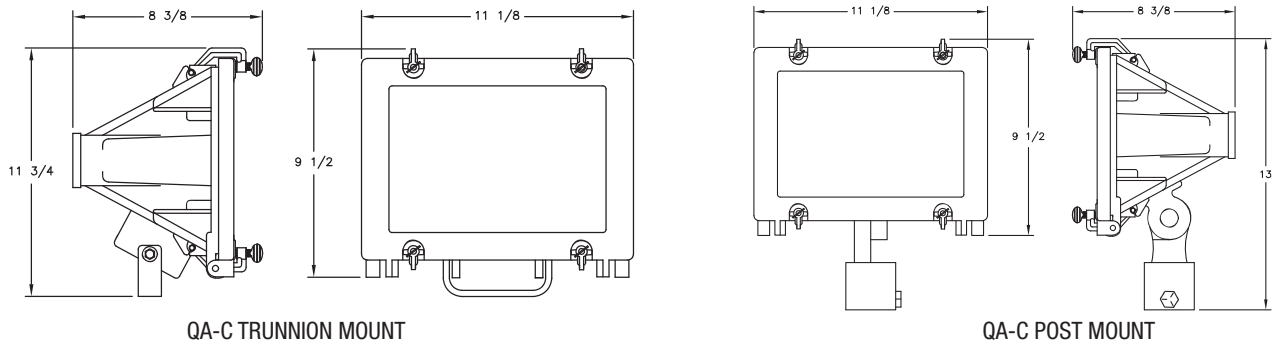
Notes:

1. Not certified for indoor use.

## SPARE PARTS

Part No.	Description	Part No.	Description
050-0501	DOOR FRAME ASSEMBLY	756-0555	LAMP HOLDER, Quartz Lamp
050-0100	LENS, Tempered Glass	711-0501	LAMP, Quartz 500w, 130v
050-2000	GASKET, Lens	711-0502	LAMP, Quartz 500w, 240v
050-0500	GASKET, Junction Box Cover	500-0520	WIRE GUARD
050-5000	"C" CLAMP / THUMB SCREW	SC30H	SAFETY CABLE, 48" Stainless Steel, Snap Hook
050-4000	LAMP HOLDER ASSEMBLY		

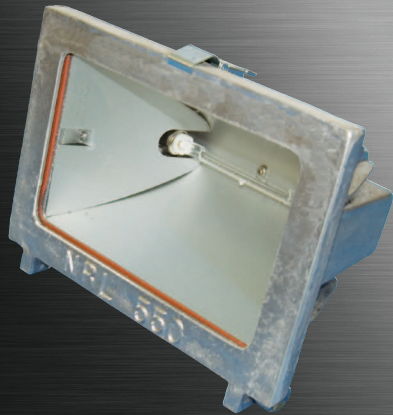
## DIMENSIONS



Dimensions in inches

# Pro

## ProFlood Achiever QL/al



### FEATURES

- 500w quartz halogen.
- Single latch design.
- High temperature silicone gasket provides a watertight seal.
- Cast aluminum finned housing for greater heat dissipation.
- Hinged door for easy lamp replacement and maintenance.
- Thermal shock resistant, tempered ¼" thick glass lens.
- Double spring loaded sockets extend lamp life in vibration areas.
- Wide NEMA 6 x 6 beam spread.
- Two mounting styles available: trunion and post-top mount.
- Protective guard available.

### APPLICATIONS

- Dusttight requirements
- Pulp and paper production
- Emergency evacuation
- Vehicle accessory lighting
- General industrial area lighting
- Security lighting

### APPROVALS

- Enclosed and gasketed
- Type 4
- Conforms to IP66
- ABS

### STANDARDS

- UL 1598 - Luminaires
- CSA Class 3425 03
- CSA Class 3425 83

### TECHNICAL SPECIFICATIONS

#### HOUSING AND LENS FRAME

Cast aluminum.

#### WIND RATING

EPA - <1 at vertical.

#### GUARD

Optional, type 18-8 stainless steel.

#### MOUNTING BRACKETS

Aluminum.

#### ENTRIES

One ½" NPT.

#### GASKET

One piece silicone.

#### HARDWARE

Plated steel.

#### REFLECTOR

Highly specular aluminum.

#### VOLTAGE

120v, optional 220v.

#### LENS

Tempered, ¼" thick glass.

#### LAMP TYPE

T3 quartz halogen provided.

#### LAMP HOLDER

Double spring loaded.

## ORDERING REFERENCES

PART NUMBER	LAMP TYPE	WATTAGE/ VOLTAGE	WEIGHT LBS	ANSI LAMP TYPE	AMBIENT TEMP	SUPPLY WIRE TEMP
QAL501T	Quartz Halogen	500w 120v	8.5	T-3 RSC	25°C	90°C
QAL502T	Quartz Halogen	500w 240v	8.5	T-3 RSC	25°C	90°C

## SPECIAL OPTIONS

- P - Post-top mount (Replace suffix T)
- WG - Stainless Steel Wire Guard

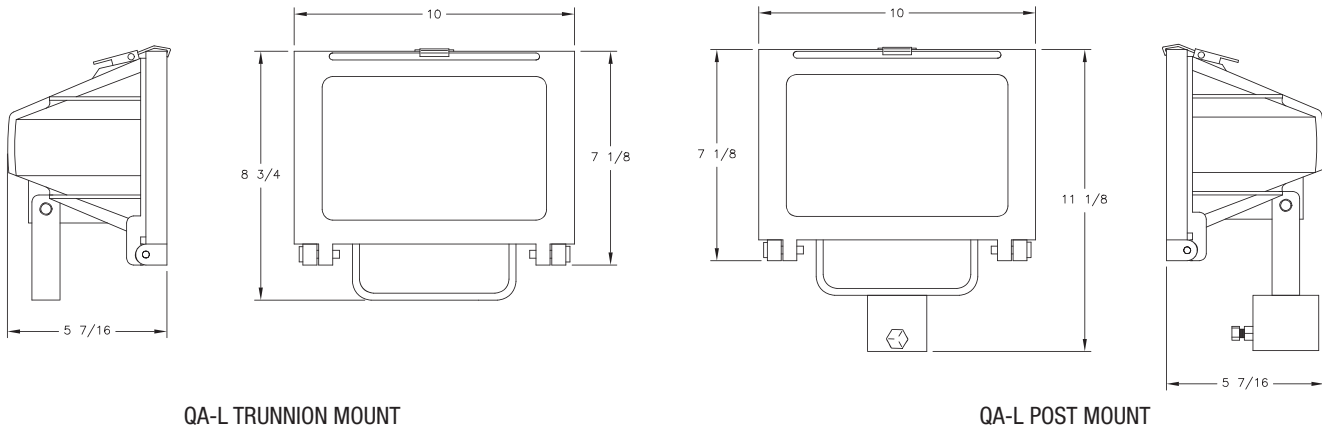
Notes:

1. Not certified for indoor use.

## SPARE PARTS

Part No.	Description	Part No.	Description
055-0501	DOOR FRAME ASSEMBLY	756-0305	LAMP HOLDER, Quartz Lamp
055-0100	LENS, Tempered Glass	711-0501	LAMP, Quartz 500w, 130v
055-2000	GASKET, Lens	711-0502	LAMP, Quartz 500w, 240v
035-2065	LATCH	055-0520	WIRE GUARD
055-4000	LAMP HOLDER ASSEMBLY	SC30H	SAFETY CABLE, 48" Stainless Steel, Snap Hook

## DIMENSIONS



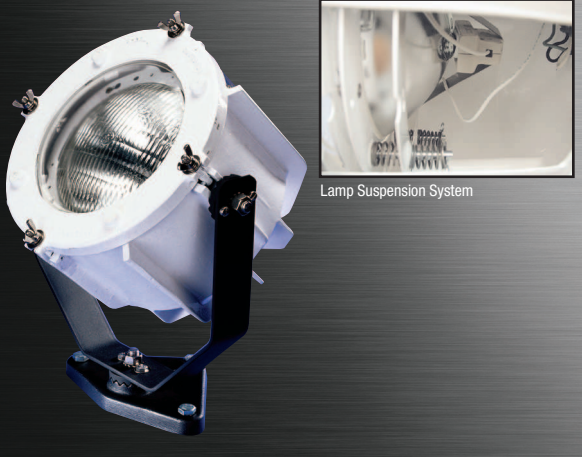
QA-L TRUNNION MOUNT

QA-L POST MOUNT

Dimensions in inches

# Pro

## ProSpot 746M/al



Lamp Suspension System

### FEATURES

- Unique lamp suspension system design absorbs vibration to extend lamp life up to 50% longer than competitive brands.
- High temperature silicone gasket provides a watertight seal.
- Adjustable mounting allows 360° horizontal rotation, vertical positioning down 45° and up 90°. 60° up with handle option.
- Medium flood with optional narrow or wide beam pattern. Lamp included.
- Range of colored lenses available in red, blue, green and yellow.
- Field replaceable lens and gasket.
- Protective guard available.

### APPLICATIONS

- Marine and watertight requirements
- High vibration environments
- Dusttight requirements
- Military ships
- Patrol boats
- Coast Guard rescue vessels
- Life boat davits
- Surface mining

### APPROVALS

- Type 4X
- Conforms to IP66
- Marine Outside Type Saltwater
- ABS

### STANDARDS

- UL 1598A - Luminaires for Marine Vessels

### TECHNICAL SPECIFICATIONS

#### HOUSING

Cast copper free aluminum with an electrostatically applied white polyester powder coat finish.

#### MOUNTING BASE

Cast copper free aluminum with an electrostatically applied black polyester powder coat finish.

#### GUARD

Stainless steel, optional.

#### LENS

Clear heat resistant glass. Optional colors: red, blue, green or yellow.

#### ENTRIES

1/2" NPT with cable gland and six feet of 16/3 cable. Optional 3/4" NPT.

#### HARDWARE

Stainless steel.

#### GASKET

One piece silicone.

#### LAMP TYPE

300w Medium Floodlight PAR56 or 500w Quartz Halogen. Lamp included. Optional narrow spot or wide beam lamps.

#### LAMP HOLDER

Mogul end prong, porcelain. Low voltage lamps wired direct.

#### VOLTAGE

Rated for operation on 120v. Optional 12v and 28v versions.

#### MOUNTING

Surface type.

#### TERMINAL BLOCK

2 pole terminal block.

## ORDERING REFERENCES

PART NUMBER	DESCRIPTION	ANSI LAMP TYPE	WEIGHT LBS
746AMR	300w Incandescent	PAR-56/MFL	22.0
746AQMR	500w Quartz Halogen	PAR-56Q/MFL	22.0

## SPECIAL OPTIONS

- GRD - Guard
- NSP\* - Narrow Spot Light Type
- WFL\* - Wide Floodlight Type
- HDL - Handle and Clamp
- 12 - 12v Medium Floodlight Type (300w)
- 28\*\* - 28v Medium Floodlight Type (450w)
- RED - Red Colored Lens
- BLU - Blue Colored Lens
- GRN - Green Colored Lens
- YEL - Yellow Colored Lens

\*For 120v only.

\*\*10 hour lamp life.

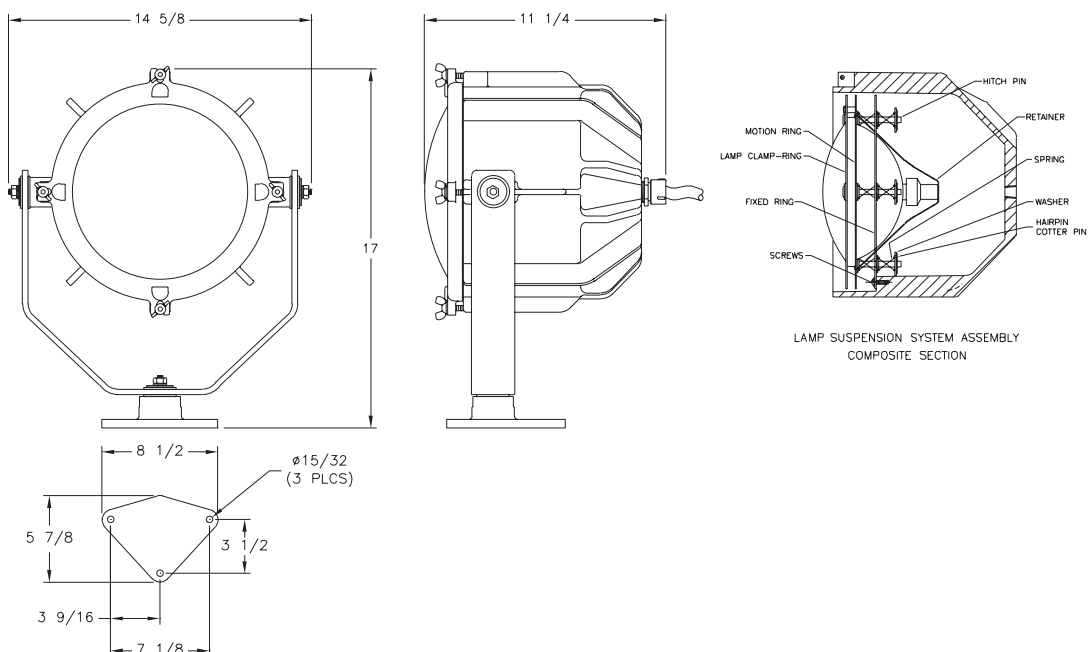
## SPARE PARTS

Part No.	Description	Part No.	Description
INX4014	LAMP HOLDER	INX3509	LAMP, 300w MFL 120v
INX1041	GUARD	INX3510	LAMP, 300w NSP 120v
GKT6095	FRAME GASKET	INX3581	LAMP, 300w WFL 120v
INX9037A	LENS AND FRAME ASSEMBLY	INX3511	LAMP, 500w MFL 120v
INX7048A1	STANDARD MOUNT	INX3582	LAMP, 500w NSP 120v
FX3001	TERMINAL BLOCK	INX3583	LAMP, 500w WFL 120v
INX8099	SWING BOLT/NUT KIT, Stainless Steel (4 per package)	INX3576	LAMP, 300w MFL 12v
INX2143*	CLEAR LENS	INX3575	LAMP, 450w MFL 28v (10 hour lamp life)

\*To order a colored lens add the appropriate suffix to the above part number:

Red Lens RED Green Lens GRN  
Blue Lens BLU Yellow Lens YEL

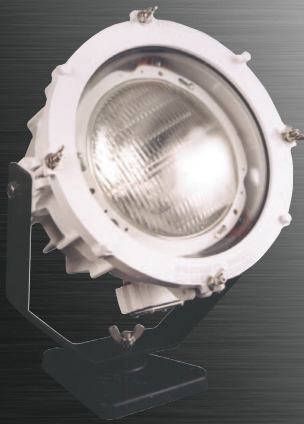
## DIMENSIONS



Dimensions in inches

# Pro

## ProSpot 749/a1



### FEATURES

- Floating lamp assembly absorbs vibration to extend lamp life.
- High temperature silicone gasket provides a watertight seal.
- Adjustable mounting allows 360° horizontal rotation, vertical positioning down 45° and up 90°. 60° up with handle option.
- Medium flood with optional narrow, very narrow or wide beam pattern. Lamp included.
- Range of colored lens available in red, blue, green and yellow.
- Field replaceable lens and gasket.
- Protective guard available.

### APPLICATIONS

- Marine and watertight requirements
- High vibration environments
- Military ships
- Patrol boats
- Coast Guard rescue vessels
- Life boat davits
- Surface mining

### APPROVALS

- Type 4
- Conforms to IP66
- Marine Outside Type Saltwater
- ABS

### STANDARDS

- UL 1598A - Luminaires for Marine Vessels

### TECHNICAL SPECIFICATIONS

#### HOUSING

Cast copper free aluminum with an electrostatically applied white polyester powder coat finish.

#### MOUNTING BASE

Cast copper free aluminum with an electrostatically applied black polyester powder coat finish.

#### GUARD

Stainless steel, optional.

#### LENS

Clear heat resistant glass. Optional colors: red, blue, green or yellow (749A only).

#### ENTRIES

One sealed watertight cable gland and six feet of 16/3 cable.

#### HARDWARE

Stainless steel.

#### GASKET

One piece silicone.

#### LAMP TYPE

500w Medium Floodlight PAR64 or 1000w Quartz Halogen. Lamp included. Optional narrow spot, very narrow spot or wide beam lamps.

#### LAMP HOLDER

Mogul end prong, porcelain.

#### VOLTAGE

Rated for operation on 120v. Contact factory for other voltage and frequency options.

#### MOUNTING

Surface type.

## ORDERING REFERENCES

PART NUMBER	DESCRIPTION	ANSI LAMP TYPE	WEIGHT LBS
749A	500w Incandescent	PAR-64/MFL	24.0
749AQ	1000w Quartz Halogen	PAR-64Q/MFL	24.0

## SPECIAL OPTIONS

- GRD - Guard
- NSP - Narrow Spot Light Type
- VNS - Very Narrow Spot Light Type (749AQ only)
- WFL - Wide Floodlight Type
- HDL - Handle and Clamp
- RED\* - Red Colored Lens
- BLU\* - Blue Colored Lens
- GRN\* - Green Colored Lens
- YEL\* - Yellow Colored Lens

\*Not available for the 1000w quartz version.

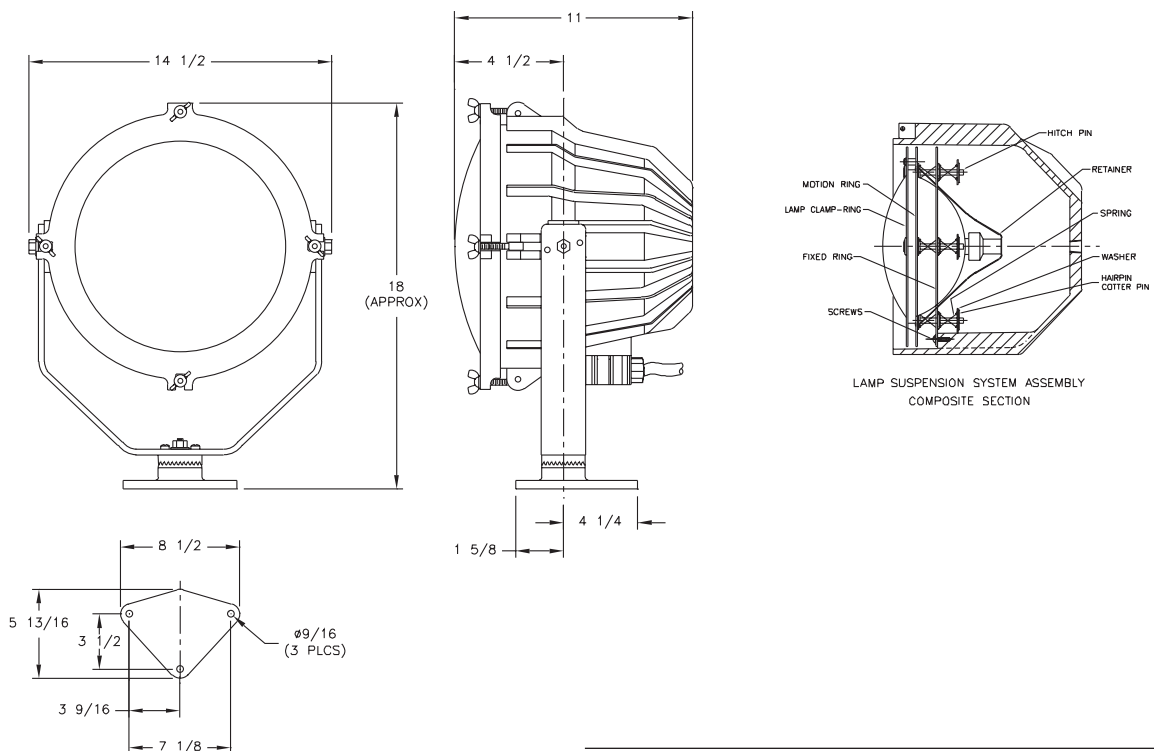
## SPARE PARTS

Part No.	Description		
INX9051A	LENS AND FRAME ASSEMBLY	INX3512	LAMP, 500w MFL 120v
INX1060	GUARD	INX3513	LAMP, 500w NSP 120v
INX4014	LAMP HOLDER	INX3634	LAMP, 500w WFL 120v
GKT1146-32.5	LENS GASKET	INX3514	LAMP, 1000w MFL 120v
INX7048A	STANDARD MOUNT	INX3534	LAMP, 1000w NSP 120v
INX8100	SWING BOLT/NUT KIT, Stainless Steel (4 per package)	INX3649	LAMP, 1000w WFL 120v
INX2140CLR*	LENS	INX3652	LAMP, 1000w VNS 120v

\*To order a colored lens replace the CLR with the appropriate suffix below:

- |           |     |             |     |
|-----------|-----|-------------|-----|
| Red Lens  | RED | Green Lens  | GRN |
| Blue Lens | BLU | Yellow Lens | YEL |

## DIMENSIONS



# Pro

## ProSpot 740/741/al



### FEATURES

- High temperature silicone gasket provides a watertight seal.
- Medium flood with optional narrow or wide beam pattern. Lamp included.
- Adjustable mounting positions.
- Range of colored lenses available in red, blue, green and yellow.
- Field replaceable lens and gasket.
- Shock mount available.
- Protective guard available.

### APPLICATIONS

- Marine and watertight requirements
- Military ships
- Patrol boats
- Coast Guard rescue vessels
- Life boat davits

### APPROVALS

- Type 4
- Conforms to IP66
- Marine Outside Type Saltwater
- ABS

### STANDARDS

- UL 1598A - Luminaires for Marine Vessels

### TECHNICAL SPECIFICATIONS

#### HOUSING

Cast copper free aluminum with an electrostatically applied white polyester powder coat finish.

#### MOUNTING BASE

Cast copper free aluminum with an electrostatically applied white polyester powder coat finish.

#### GUARD

Stainless steel, optional.

#### LENS

Clear heat resistant glass. Optional colors: red, blue, green or yellow.

#### ENTRIES

One sealed watertight cable gland and 6 feet of 16/3 cable.

#### HARDWARE

Stainless steel.

#### GASKET

One piece silicone.

#### LAMP TYPE

200w Medium floodlight PAR46 or 300w Medium Floodlight PAR56. Lamp included. Optional narrow spot or wide beam lamps.

#### LAMP HOLDER

Medium end prong, porcelain - 740 model.  
Mogul end prong, porcelain - 741 model.

#### VOLTAGE

Rated for operation on 120v.

#### MOUNTING

Surface type.

## ORDERING REFERENCES

PART NUMBER	DESCRIPTION	ANSI LAMP TYPE	WEIGHT LBS
740ASM	200w Incandescent	PAR-46/MFL	6.0
741ASM	300w Incandescent	PAR-56/MFL	8.0

## SPECIAL OPTIONS

GRD	- Guard
RS	- Shock Mount
HDL	- Handle
NSP	- Narrow Spot Light Type
WFL	- Wide Floodlight Type (741 only)
RED	- Red Colored Lens
BLU	- Blue Colored Lens
GRN	- Green Colored Lens
YEL	- Yellow Colored Lens

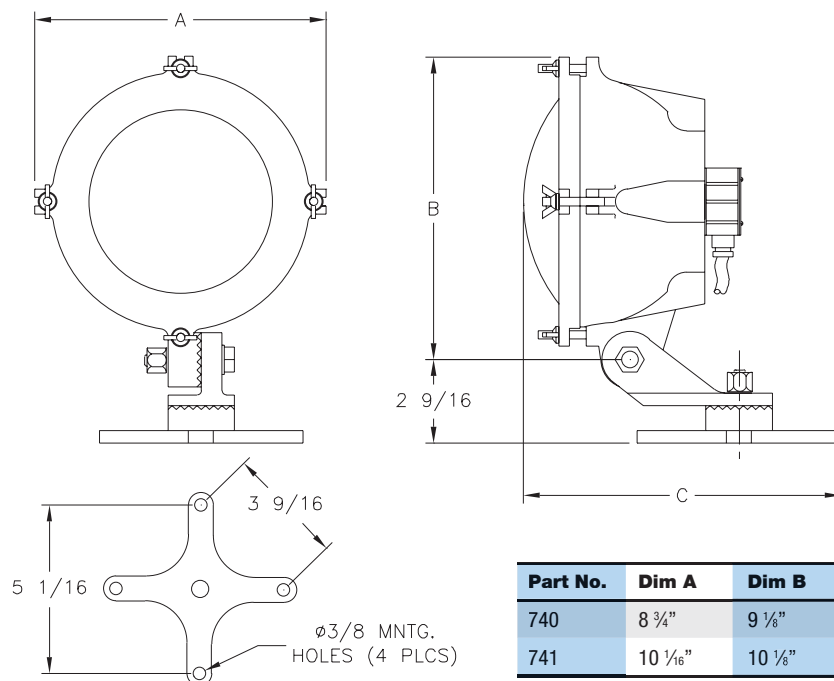
## SPARE PARTS

Part No.	Description
INX4008	LAMP HOLDER, 740
INX4014	LAMP HOLDER, 741
INX1039	GUARD, 740
INX1040	GUARD, 741
GKT6043-22.5	GASKET, 740
GKT5204LCS-27	GASKET, 741
INX2117	LENS, 740 Clear*
INX2100	LENS, 741 Clear*
INX8001	SWING BOLT/NUT KIT, Stainless Steel (4 per package)
INX7005A	MOUNTING BASE
INX3508	LAMP - 740, 200w 120v Medium Flood Par 46
INX3619	LAMP - 740, 200w 120v Narrow Spot Par 46
INX3509	LAMP - 741, 300w 120v Medium Flood Par 56
INX3510	LAMP - 741, 300w 120v Narrow Spot Par 56
INX3581	LAMP - 741, 300w 120v Wide Flood Par 56

\*To order a colored lens add the appropriate suffix to the above part number:

Red Lens	RED	Green Lens	GRN
Blue Lens	BLU	Yellow Lens	YEL

## DIMENSIONS



Dimensions in inches

Part No.	Dim A	Dim B	Dim C
740	8 $\frac{3}{4}$ "	9 $\frac{1}{8}$ "	8 $\frac{7}{16}$ "
741	10 $\frac{1}{16}$ "	10 $\frac{1}{8}$ "	8 $\frac{7}{8}$ "

# Pro

## ProGuard 707/al



### FEATURES

- Available in 100w or 150w incandescent or 18w, 26w and 32w compact fluorescent.
- High temperature silicone gaskets provide a watertight seal.
- Choice of wall or flush wall mount.
- Protective guard provided.
- A wide variety of globe materials and colors.

### APPLICATIONS

- Wall mount type
- Marine and watertight requirements
- Dusttight requirements
- Freezer and refrigeration
- Pharmaceutical & additives formulation & processing
- Waste water treatment plants
- Bridge & pier lighting

### APPROVALS

- Conforms to IP66
- Marine Outside Type Saltwater
- ABS

### STANDARDS

- UL 1598A - Luminaires for Marine Vessels

### TECHNICAL SPECIFICATIONS

#### HOUSING

Cast copper free aluminum.

#### GUARD

Cast copper free aluminum.

#### HARDWARE

Stainless steel.

#### ENTRIES

Standard units undrilled. Up to 1" NPT four way available. See ENTRY OPTIONS for selections.

#### GASKETS

One piece silicone.

#### MOUNTING

Wall and Flush.

#### LAMP HOLDER

Medium base, high temperature PBT. Nickel plated copper screw shell. Porcelain or shockproof optional. Compact fluorescent polycarbonate.

#### GLOBE

Glass, tempered glass or polycarbonate.

#### LAMP TYPE

Incandescent or 4 Pin compact fluorescent. Lamp not provided.

#### VOLTAGE

Incandescent rated to 300v.

Compact fluorescent rated to 120v 50/60Hz, optional 277v 50/60Hz.

#### TERMINAL BLOCK

Four pole or six pole optional for incandescent models only.

## ORDERING REFERENCES

PART NUMBER	DESCRIPTION	LAMP MAX	WEIGHT LBS	BOX DEPTH
707A	Wall Mount	A-19 100w	2.8	2"
707A7	Wall Mount	A-21 150w	2.8	2"
F707A7-#	Wall Mount	CF	2.8	2"
707AF	Flush Mount	A-19 100w	3.3	2 3/8"
707AF7	Flush Mount	A-21 150w	3.3	2 3/8"
F707AF7-#	Flush Mount	CF	2.8	2 3/8"

# Enter compact fluorescent (CF) wattage desired: 18, 26 or 32.

## SPECIAL OPTIONS

- K - Double Pole Toggle Switch (Not for Flush mount)
- P\* - Porcelain Lamp Holder
- SP - Shockproof Lamp Holder
- T\* - Terminal Block (4 pole)
- T6\* - Terminal Block (6 pole)
- FST - Frosted Globe
- PG\*\* - Polycarbonate Clear Globe (Guard not provided)
- RED - Red Globe
- BLU - Blue Globe
- GRN - Green Globe
- YEL - Yellow Globe
- HR - Heat Resistant Clear Glass Globe
- 276 - 277v 60Hz (Compact fluorescent only)

\*Not for use with compact fluorescent.

\*\*100w incandescent and compact fluorescent only.

## ENTRY OPTIONS

NPT Trade Size	Dead End	Thru Feed	90 Degree	X-Positions
1/2"	E1	C1	L1	X1
3/4"	E2	C2	L2	X2
1"	E3	C3	L3	X3

## SPARE PARTS

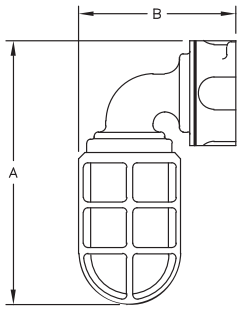
Part No.	Description
FX5206	BALLAST, 120VAC 50/60Hz
FX5242	BALLAST, 277VAC 50/60Hz
INX3528	LAMP, 100w Incandescent
INX3543	LAMP, 150w Incandescent
FX3552	LAMP, 18w Compact Fluorescent
FX3553	LAMP, 26w Compact Fluorescent
FX3554	LAMP, 32w Compact Fluorescent
INX4000	LAMP HOLDER, Incandescent, Standard PBT
INX4000P	LAMP HOLDER, Incandescent, Porcelain
INX4000SP	LAMP HOLDER, Incandescent, Shockproof
FX4030	LAMP HOLDER, Compact Fluorescent, 18w
FX4034	LAMP HOLDER, Compact Fluorescent, 26w & 32w
INX2006*	GLASS GLOBE, 100w 6"
INX2007*	GLASS GLOBE, 150w 7"
GKT2002SIL	GASKET, Globe 100w
GKT2002SIL	GASKET, Globe 150w
GKT3000SIL	GASKET, Junction Box
GKT3005	GASKET, Flush Box Flange
INX1036A	GUARD, 100w
INX1037A	GUARD, 150w
INX6037A	JUNCTION BOX, Wall Mount
INX6055A	JUNCTION BOX, Flush Mount
CX3070	TERMINAL BLOCK, 4 pole
CX3076	TERMINAL BLOCK, 6 pole
GKT8000	SWITCH BOOT
INX3012	DOUBLE POLE TOGGLE SWITCH

\*Add one of the following suffix to the above part number to obtain the globe.

Clear Heat Resistant - HR Clear - CLR Green - GRN  
Frosted - FST Red - RED Yellow - YEL Blue - BLU

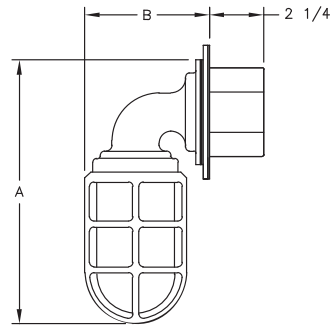
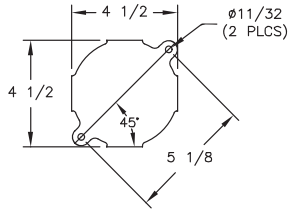
# ProGuard 707/al

## DIMENSIONS



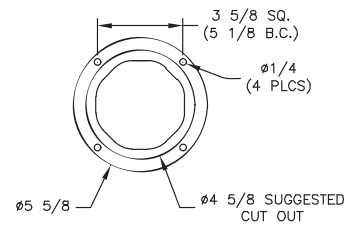
707

Part No.	Dim A	Dim B
707A	11"	6 3/4"
707A7	11 3/4"	6 3/4"



707F

Part No.	Dim A	Dim B
707AF	11"	5"
707AF7	11 3/4"	5"



NOTES

# Pro

## ProGuard 717/718/al



### FEATURES

- Available in 100w, 150w, and 300w incandescent or 18w, 26w and 32w compact fluorescent.
- High temperature silicone gaskets provide a watertight seal.
- Protective guard provided.
- A wide variety of globe materials and colors.

### APPLICATIONS

- Ceiling mount type
- Marine and watertight requirements
- Dusttight requirements
- Freezer and refrigeration
- Pharmaceutical & additives formulation & processing
- Waste water treatment plants
- Bridge & pier lighting

### APPROVALS

- Conforms to IP 66
- Marine Outside Type Saltwater
- ABS

### STANDARDS

- UL 1598A - Luminaires for Marine Vessels

### TECHNICAL SPECIFICATIONS

#### HOUSING

Cast copper free aluminum.

#### GUARD

Cast copper free aluminum.

#### HARDWARE

Stainless steel.

#### ENTRIES

Standard units undrilled. Up to 1" NPT four way available. See ENTRY OPTIONS for selections.

#### GASKETS

One piece silicone.

#### MOUNTING

Ceiling type.

#### LAMP HOLDER

Medium base, high temperature PBT. Nickel plated copper screw shell. Porcelain and shockproof optional. Compact fluorescent polycarbonate.

#### GLOBE

Glass, tempered glass or polycarbonate.

#### LAMP TYPE

Incandescent or 4 Pin compact fluorescent. Lamp not provided.

#### VOLTAGE

Incandescent rated to 300v.  
Fluorescent rated to 120v 50/60Hz, optional 277v 50/60Hz.

#### TERMINAL BLOCK

Four pole or six pole optional for incandescent models only.

## ORDERING REFERENCES

PART NUMBER	DESCRIPTION	LAMP MAX	WEIGHT LBS
717A	Ceiling Mount	A-19 100w	3.0
717A7	Ceiling Mount	A-21 150w	3.4
F717A7-#	Ceiling Mount	CF	3.7
718A	Ceiling Mount	PS-25 300w	4.2

# Enter compact fluorescent (CF) wattage desired: 18, 26 or 32.

## SPECIAL OPTIONS

- K - Double Pole Toggle Switch
- P\* - Porcelain Lamp Holder
- SP - Shockproof Lamp Holder
- T\* - Terminal Block (4 pole)
- T6\* - Terminal Block (6 pole)
- HR - Heat Resistant Clear Glass Globe
- FST - Frosted Globe
- PG\*\* - Polycarbonate Clear Globe (Guard not provided)
- RG - Red Globe
- BLU - Blue Globe
- GRN - Green Globe
- YEL - Yellow Globe
- L - Shallow Dome Reflector
- N - Angle Dome Reflector
- 276 - 277V 60Hz (Compact fluorescent only)

\*Not available with compact fluorescent.

\*\*100w incandescent or compact fluorescent only.

## ENTRY OPTIONS

NPT Trade Size	Dead End	Thru Feed	90 Degree	X-Positions
1/2"	E1	C1	L1	X1
3/4"	E2	C2	L2	X2
1"	E3	C3	L3	X3

## SPARE PARTS

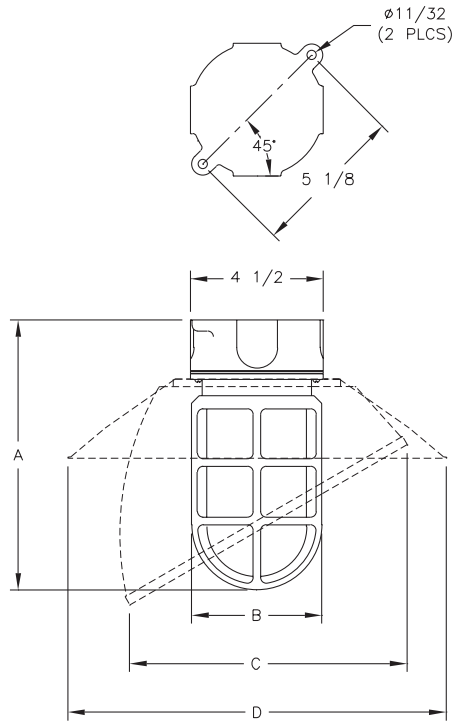
Part No.	Description	Part No.	Description
FX5206	BALLAST, 120VAC 50/60Hz	GKT2002SIL	GASKET, Globe 150w
FX5242	BALLAST, 277VAC 50/60Hz	GKT1149SIL	GASKET, Globe 300w
INX3528	LAMP, 100w Incandescent	GKT3000SIL	GASKET, Junction Box
INX3543	LAMP, 150w Incandescent	INX1036A	GUARD, 100w 6"
INX3678	LAMP, 200w Incandescent	INX1037A	GUARD, 150w 7"
INX3559	LAMP, 300w Incandescent	INX1020A	GUARD, 300w 9"
FX3552	LAMP, 18w Compact Fluorescent	INX6037A	JUNCTION BOX
FX3553	LAMP, 26w Compact Fluorescent	CX3070	TERMINAL BLOCK, 4 pole
FX3554	LAMP, 32w Compact Fluorescent	CX3076	TERMINAL BLOCK, 6 pole
INX4000	LAMP HOLDER, Incandescent, Standard PBT	INX3012	DOUBLE POLE TOGGLE SWITCH
INX4000P	LAMP HOLDER, Incandescent, Porcelain	GKT8000	SWITCH BOOT
INX4000SP	LAMP HOLDER, Incandescent, Shockproof	INX4544	REFLECTOR, Shallow Dome, 100w/150w
FX4030	LAMP HOLDER, Compact Fluorescent, 18w	INX4546A	REFLECTOR, Shallow Dome, 300w
FX4034	LAMP HOLDER, Compact Fluorescent, 26w & 32w	INX4539A	REFLECTOR, Angle Dome, 100w/150w
INX2006*	GLASS GLOBE, 100w 6"	INX4542A	REFLECTOR, Angle Dome, 300w
INX2007*	GLASS GLOBE, 150w 7"		
INX2009*	GLASS GLOBE, 300w 9"		
GKT2002SIL	GASKET, Globe 100w		

\*Add one of the following suffix to the above part number to obtain the globe.

Clear Heat Resistant - HR Clear - CLR Green - GRN  
Frosted - FST Red - RED Yellow - YEL Blue - BLU

# ProGuard 717/718/al

## DIMENSIONS



Dimensions in inches

			Option "N"	Option "L"
Part No.	Dim A	Dim B	Dim C	Dim D
717A	9 $\frac{1}{8}$ "	4 $\frac{1}{4}$ "	9 $\frac{1}{4}$ "	12 $\frac{1}{2}$ "
717A7	9 $\frac{7}{8}$ "	4 $\frac{1}{4}$ "	9 $\frac{1}{4}$ "	12 $\frac{1}{2}$ "
718A	12 $\frac{1}{2}$ "	6"	10 $\frac{3}{4}$ "	15 $\frac{3}{4}$ "

NOTES

# Pro

## ProGuard **Exacta/al**



### FEATURES

- Available in 150w incandescent or 18w, 26w and 32w compact fluorescent.
- Approved for use in Class II dust areas.
- High temperature silicone gasket provides a watertight seal.
- Watertight mounting in any direction.
- Optional cast aluminum, polymeric or stainless steel guards.
- A wide variety of globe materials and colors.

### APPLICATIONS

- Ceiling, pendant and wall mount types
- Watertight requirements
- Dusttight requirements
- Freezer and refrigeration
- Pharmaceutical & additives formulation & processing
- Waste water treatment plants

### APPROVALS

- Enclosed & Gasketed
- Type 4
- Conforms to IP66

### STANDARDS

- UL 1598 - Luminaires
- CSA - C22.2 250 04
- CSA - C22.2 141

### TECHNICAL SPECIFICATIONS

#### HOUSING

Cast copper free aluminum with an electrostatically applied polyester powder coat finish.

#### GUARD

Optional, cast aluminum, nylon 6/6 or stainless steel guard.

#### HARDWARE

Stainless steel.

#### ENTRIES

½" or ¾" NPT.

#### GASKETS

One piece silicone.

#### MOUNTING

Ceiling, pendant or wall.

#### LAMP HOLDER

Incandescent, medium base porcelain. Compact fluorescent, polycarbonate.

#### GLOBE

Glass, tempered glass or polycarbonate.

#### LAMP TYPE

A-21 150w incandescent or 4 Pin compact fluorescent. Lamps not provided unless option "L" is selected.

#### VOLTAGE

Incandescent rated to 240.

Fluorescent rated to 120v 50/60Hz, optional 277v 50/60Hz.

Lamp Type	Lamp Wattage	Globe	Supply Wire
Incandescent	150	Glass	90°C
Incandescent	100	Glass	90°C
Incandescent	100	Polycarbonate	90°C
Compact fluorescent	32 Max	All	90°C

## ORDERING REFERENCES

**1. Series**  
ACEV

**2. Lamp Type**  
151 - 150 watt max incandescent  
18F - 18 watt compact fluorescent  
26F - 26 watt compact fluorescent  
32F - 32 watt compact fluorescent

**3. Voltage / Frequency**  
1 - 120v 50/60 Hz  
2 - 240v 50/60 Hz (Incandescent only)  
3 - 277v 50/60 Hz (Compact fluorescent only)

**4. Globe Type**  
GC\* - Glass, clear  
PC\* - Polycarbonate, clear  
PP - Polycarbonate, prismatic  
TG - Tempered Glass, clear

**5. Guard**  
G - Guard, cast (Glass globes only)  
GP - Guard, polymeric (Glass globes only)  
GW - Guard, stainless steel wire

\*For colored globes replace "C" with first letter of color required. (ie.: "GR" for red glass globe.) Colors available: Amber, Blue, Green, Red and White.

Globe use - mounting warning:  
Glass globes 150 watt max, any mounting position. Polycarbonate globe 100 watt max, base up only. Polycarbonate globe 60 watt max, any mounting position.

**6. Mounting Options**  
C1 - Ceiling Mount, feed through ½" NPT  
C2 - Ceiling Mount, feed through ¾" NPT  
P1 - Pendant Mount, ½" NPT  
P2 - Pendant Mount, ¾" NPT  
W1 - Wall Mount & Outlet Box, ½" NPT  
W2 - Wall Mount & Outlet Box, ¾" NPT  
WB - Wall Mount without Outlet Box

**7. Special Options**  
L\* - Lamp

\*Lamp not included unless option "L" is specified.

Notes  
1. Consult factory for options not listed.

## COMMONLY ORDERED LUMINAIRES

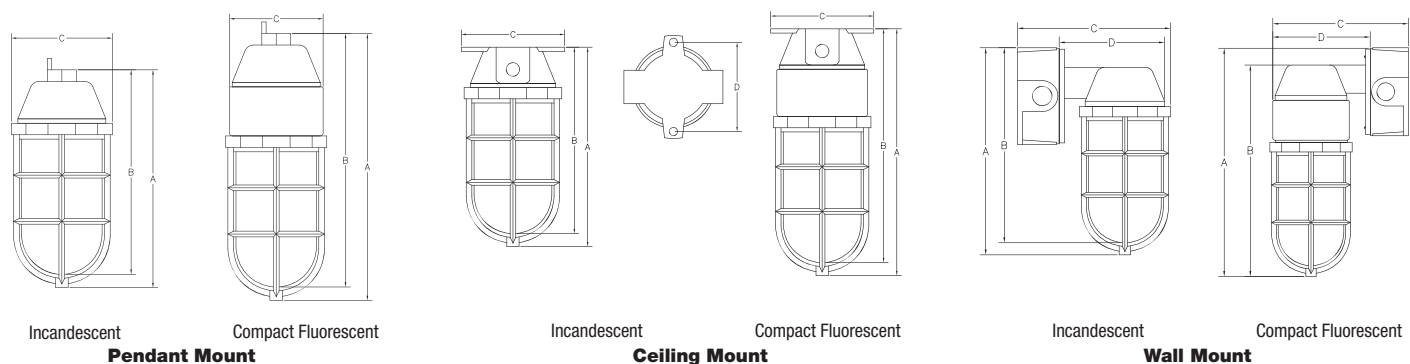
Part No.	Mounting	Lamp Type	Lamp Wattage	Weight		Shipping Volume
				Lbs	Kg	
ACE V151 1GC G P1	PENDANT	Incandescent	150	3.7	1.65	0.5 ft <sup>3</sup>
ACE V18F 1GC G P1	PENDANT	Compact Fluorescent	18	5.1	2.30	0.8 ft <sup>3</sup>
ACE V26F 1GC G P1	PENDANT	Compact Fluorescent	26	5.1	2.30	0.8 ft <sup>3</sup>
ACE V32F 1GC G P1	PENDANT	Compact Fluorescent	32	5.1	2.30	0.8 ft <sup>3</sup>
ACE V151 1GC G C1	CEILING	Incandescent	150	4.1	1.85	0.5 ft <sup>3</sup>
ACE V18F 1GC G C1	CEILING	Compact Fluorescent	18	5.5	2.50	0.8 ft <sup>3</sup>
ACE V26F 1GC G C1	CEILING	Compact Fluorescent	26	5.5	2.50	0.8 ft <sup>3</sup>
ACE V32F 1GC G C1	CEILING	Compact Fluorescent	32	5.5	2.50	0.8 ft <sup>3</sup>
ACE V151 1GC G W1	WALL	Incandescent	150	5.4	2.45	0.5 ft <sup>3</sup>
ACE V18F 1GC G W1	WALL	Compact Fluorescent	18	6.8	3.10	0.8 ft <sup>3</sup>
ACE V26F 1GC G W1	WALL	Compact Fluorescent	26	6.8	3.10	0.8 ft <sup>3</sup>
ACE V32F 1GC G W1	WALL	Compact Fluorescent	32	6.8	3.10	0.8 ft <sup>3</sup>

# ProGuard **Exacta**/al

## SPARE PARTS

Part No.	Description		
FX5206	BALLAST, 120v, 18w CF	INX2007RED	GLASS GLOBE, Red
FX5206	BALLAST, 120v, 26w CF	INX2007GRN	GLASS GLOBE, Green
FX5206	BALLAST, 120v, 32w CF	INX2007BLU	GLASS GLOBE, Blue
FX3552	LAMP, 18w CF	INX2007YEL	GLASS GLOBE, Amber
FX3553	LAMP, 26w CF	INX2007HR	GLASS GLOBE, Clear Tempered
FX3554	LAMP, 32w CF	P100C	GLOBES, Clear Polycarbonate
INX3558	LAMP, 150w Incandescent	INXGC150	CAST GUARD
FX4030	LAMP HOLDER, 18w CF	INXGW150	STAINLESS STEEL GUARD
FX4034	LAMP HOLDER, 26w CF	INXGP150	POLYMERIC GUARD
FX4034	LAMP HOLDER, 32w CF	GKT101-0002	JUNCTION BOX GASKET
INX755-0930	LAMP HOLDER, Incandescent		
INX2007CLR	GLASS GLOBE, Clear		

## DIMENSIONS



Mount	Pendant Mount		Ceiling Mount		Wall Mount	
	Incandescent	Compact Fluorescent	Incandescent	Compact Fluorescent	Incandescent	Compact Fluorescent
Type						
A	9.75 (24.8)	12.13 (30.8)	9.25 (23.5)	11.13 (28.3)	10.13 (25.7)	12.5 (31.8)
B	9.25 (23.5)	11.63 (29.5)	8.75 (22.2)	10.63 (27.0)	9.63 (24.5)	12.0 (30.5)
C	4.34 (11)	4.34 (11)	4.63 (11.7)	4.63 (11.7)	7.25 (18.4)	7.25 (18.4)
D	--	--	4.00 (10.2)	4.00 (10.2)	5.13 (13)	5.13 (13)

Dimensions are in inches (cm).

NOTES

# Pro

## ProGuard 735/738/al



### FEATURES

- Available in 100w and 150w incandescent.
- Compact, one-piece wall mount design minimizes protrusion.
- Wire access chamber for ease of installation and maintenance.
- High temperature silicone gaskets provide a watertight seal.
- Protective guard provided.
- A wide variety of globe materials and colors.

### APPLICATIONS

- Wall mount type
- Marine and watertight requirements
- Dusttight requirements
- Freezer and refrigeration
- Pharmaceutical & additives formulation & processing
- Waste water treatment plants
- Bridge & pier lighting

### APPROVALS

- Conforms to IP66
- Marine Outside Type Saltwater
- ABS

### STANDARDS

- UL 1598A - Luminaires for Marine Vessels

### TECHNICAL SPECIFICATIONS

#### HOUSING

Cast copper free aluminum.

#### GUARD

Cast copper free aluminum.

#### HARDWARE

Stainless steel.

#### ENTRIES

Standard two 1/2" NPT outlets. Up to 3/4" NPT through feed available. See ENTRY OPTIONS for selections.

#### GASKETS

One piece silicone.

#### MOUNTING

Wall type.

#### LAMP HOLDER

Medium base, high temperature PBT. Nickel plated copper screw shell. Porcelain or shockproof optional.

#### GLOBE

Glass, tempered or polycarbonate.

#### LAMP TYPE

Incandescent. Lamp not provided.

#### VOLTAGE

Rated up to 300v AC.

#### SWITCH

Double pole toggle switch with a watertight boot, optional.

## ORDERING REFERENCES

PART NUMBER	DESCRIPTION	LAMP MAX	WEIGHT LBS
735A	Wall Mount	A-19 100w	2.5
738A	Wall Mount	A-21 150w	2.9

## SPECIAL OPTIONS

- P - Porcelain Lamp Holder
- SP - Shockproof Lamp Holder
- K - Double Pole Toggle Switch
- RED - Red Globe
- BLU - Blue Globe
- GRN - Green Globe
- YEL - Yellow Globe
- FST - Frosted Globe
- PG\* - Polycarbonate Clear Globe (Guard not provided)
- HR - Heat Resistant Clear Glass Globe
- T - Terminal Block (4 Pole)

\*100w incandescent only.

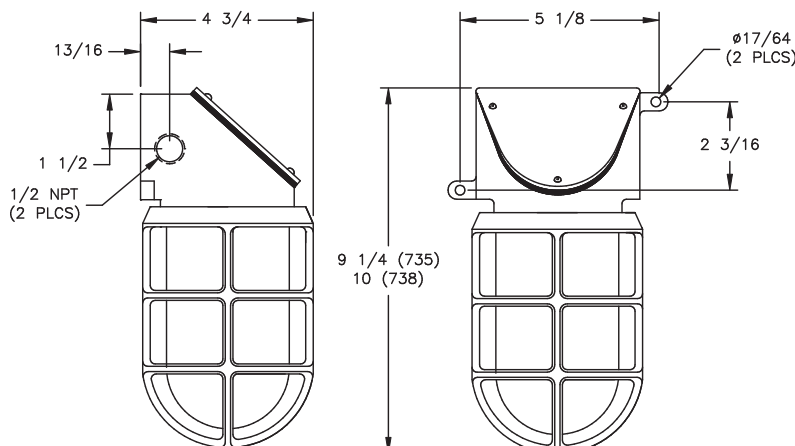
## ENTRY OPTIONS

NPT Trade Size	Dead End	Thru Feed
1/2"	E1	Std.
3/4"	E2	C2

## SPARE PARTS

Part No.	Description
INX3528	LAMP, 100w A-19
INX3543	LAMP, 150w A-21
INX4000	LAMP HOLDER, Incandescent, Standard PBT
INX4000P	LAMP HOLDER, Incandescent, Porcelain
INX4000SP	LAMP HOLDER, Incandescent, Shockproof
INX2006CLR	GLASS GLOBE, 100w 6", Clear
INX2006GRN	GLASS GLOBE, 100w 6", Green
INX2006BLU	GLASS GLOBE, 100w 6", Blue
INX2006RED	GLASS GLOBE, 100w 6", Red
INX2006YEL	GLASS GLOBE, 100w 6", Yellow
INX2006FST	GLASS GLOBE, 100w 6", Frosted
INX2006HR	GLASS GLOBE, 100w 6", Clear Heat Resistant
INX2007CLR	GLASS GLOBE, 150w 7", Clear
INX2007GRN	GLASS GLOBE, 150w 7", Green
INX2007BLU	GLASS GLOBE, 150w 7", Blue
INX2007RED	GLASS GLOBE, 150w 7", Red
INX2007YEL	GLASS GLOBE, 150w 7", Yellow
INX2007FST	GLASS GLOBE, 150w 7", Frosted
INX2007HR	GLASS GLOBE, 150w 7", Clear Heat Resistant
INX1036A	GUARD, 100w 6"
INX1037A	GUARD, 150w 7"
GKT2002SIL	GASKET, Globe
GKT6019	GASKET, Cover
INX3012	DOUBLE POLE TOGGLE SWITCH
GKT8000	WATERTIGHT SWITCH BOOT
CX3070	TERMINAL BLOCK 4 Pole

## DIMENSIONS



Dimensions in inches

# Pro

## ProGuard 729/730/al



### FEATURES

- Available in 100w, 150w, and 300w incandescent or 18w, 26w and 32w compact fluorescent.
- High temperature silicone gaskets provide a watertight seal.
- Choice of wall or flush wall mount.
- Protective guard provided.
- A wide variety of globe materials and colors.

### APPLICATIONS

- Wall mount type
- Marine and watertight requirements
- Dusttight requirements
- Freezer and refrigeration
- Pharmaceutical & additives formulation & processing
- Waste water treatment plants
- Bridge & pier lighting

### APPROVALS

- Conforms to IP 66
- Marine Outside Type Saltwater
- ABS

### STANDARDS

- UL 1598A - Luminaires for Marine Vessels

### TECHNICAL SPECIFICATIONS

#### HOUSING

Cast copper free aluminum.

#### GUARD

Cast copper free aluminum.

#### HARDWARE

Stainless steel.

#### ENTRIES

Standard units undrilled. Up to 1" NPT four way available. See ENTRY OPTIONS for selections.

#### GASKETS

One piece silicone.

#### MOUNTING

Wall and Flush.

#### LAMP HOLDER

Medium base, high temperature PBT. Nickel plated copper screw shell. Shockproof or porcelain optional. Compact fluorescent polycarbonate.

#### GLOBE

Glass, tempered glass or polycarbonate.

#### LAMP TYPE

Incandescent or 4 Pin compact fluorescent. Lamp not provided.

#### VOLTAGE

Incandescent rated to 300v.  
Compact fluorescent rated to 120v 50/60Hz, optional 277v 50/60Hz.

#### TERMINAL BLOCK

Four pole or six pole optional for incandescent models only.

#### SWITCH

Double pole toggle switch with a watertight boot, optional.

## ORDERING REFERENCES

PART NUMBER	DESCRIPTION	LAMP MAX	WEIGHT LBS	BOX DEPTH
729A	Wall Mount	A-19 100w	3.2	2"
729A7	Wall Mount	A-21 150w	3.4	2"
F729A7-#	Wall Mount	CF	3.4	2"
730A	Wall Mount	PS-25 300w	4.4	2"
729AF	Flush Mount	A-19 100w	3.7	2 <sup>3</sup> / <sub>8</sub> "
729AF7	Flush Mount	A-21 150w	4.1	2 <sup>3</sup> / <sub>8</sub> "
F729AF7-#	Flush Mount	CF	4.1	2 <sup>3</sup> / <sub>8</sub> "
730AF	Flush Mount	PS-25 300w	5.1	2 <sup>3</sup> / <sub>8</sub> "

# Enter compact fluorescent (CF) wattage desired: 18, 26 or 32.

## SPECIAL OPTIONS

- K - Double Pole Toggle Switch (Not for flush mount)
- P\* - Porcelain Lamp Holder
- SP - Shockproof Lamp Holder
- T\* - Terminal Block (4 pole)
- T6\* - Terminal Block (6 pole)
- FST - Frosted Globe
- HR - Heat Resistant Clear Glass Globe
- PG\*\* - Polycarbonate Clear Globe (Guard not provided)
- RED - Red Globe
- BLU - Blue Globe
- GRN - Green Globe
- YEL - Yellow Globe
- 276 - 277v 60Hz (Compact fluorescent only)

\*Not available with compact fluorescent.

\*\*100w incandescent or compact fluorescent only.

## ENTRY OPTIONS

NPT Trade Size	Dead End	Thru Feed	90 Degree	X-Positions
1/2"	E1	C1	L1	X1
3/4"	E2	C2	L2	X2
1"	E3	C3	L3	X3

## SPARE PARTS

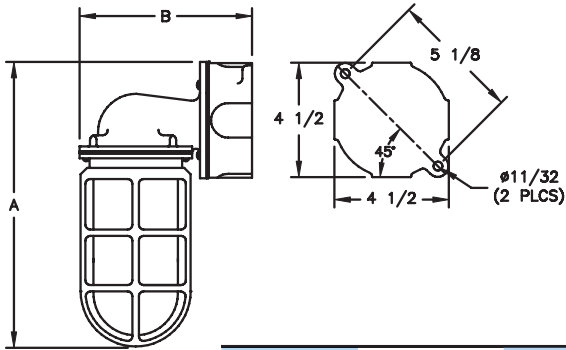
Part No.	Description		
FX5206	BALLAST, 120VAC 50/60Hz	GKT2002SIL	GLOBE GASKET, Globe 100w
FX5242	BALLAST, 277VAC 50/60Hz	GKT2002SIL	GLOBE GASKET, Globe 150w
INX3528	LAMP, 100w Incandescent	GKT1149SIL	GLOBE GASKET, Globe 300w
INX3543	LAMP, 150w Incandescent	GKT3000SIL	GLOBE GASKET, Junction Box
INX3559	LAMP, 300w Incandescent	INX1036A	GUARD, 100w 6"
FX3552	LAMP, 18w Compact Fluorescent	INX1037A	GUARD, 150w 7"
FX3553	LAMP, 26w Compact Fluorescent	INX1020A	GUARD, 300w 9"
FX3554	LAMP, 32w Compact Fluorescent	INX6037A	JUNCTION BOX, Wall Mount
INX4000	LAMP HOLDER, Incandescent, Standard PBT	INX6055A	JUNCTION BOX, Flush Mount
INX4000P	LAMP HOLDER, Incandescent, Porcelain	CX3070	TERMINAL BLOCK, 4 pole
INX4000SP	LAMP HOLDER, Incandescent, Shockproof	CX3076	TERMINAL BLOCK, 6 pole
FX4030	LAMP HOLDER, Compact Fluorescent, 18w	GKT8000	SWITCH BOOT
FX4034	LAMP HOLDER, Compact Fluorescent, 26w & 32w	INX3012	DOUBLE POLE TOGGLE SWITCH
INX2006*	GLASS GLOBE, 100w 6"		
INX2007*	GLASS GLOBE, 150w 7"		
INX2009*	GLASS GLOBE, 300w 9"		

\*Add one of the following suffix to the above part number to obtain the globe.

Clear Heat Resistant - HR Clear - CLR Green - GRN  
Frosted - FST Red - RED Yellow - YEL Blue - BLU

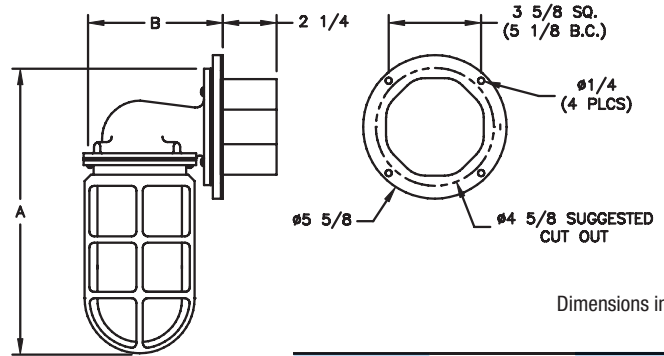
# ProGuard 729/730/al

## DIMENSIONS



729A & 730A

Part No.	Dim A	Dim B
729A	10 1/8"	7 1/8"
729A7	10 7/8"	7 1/8"
730A	13 1/2"	9 9/16"



729AF & 730AF

Part No.	Dim A	Dim B
729AF	10 1/8"	5 3/8"
729AF7	10 7/8"	5 3/8"
730AF	13 1/2"	7 13/16"

Dimensions in inches

NOTES

# Pro

## ProGuard 767/al



### FEATURES

- Available in 100w and 150w incandescent.
- Compact, one piece pendant mount design.
- High temperature silicone gasket provides a watertight seal.
- Protective guard provided.
- Choice of angle or shallow dome reflectors.
- A wide variety of globe materials and colors.

### APPLICATIONS

- Pendant mount type
- Marine and watertight requirements
- Dusttight requirements
- Freezer and refrigeration
- Pharmaceutical & additives formulation & processing
- Waste water treatment plants
- Bridge & pier lighting

### APPROVALS

- Conforms to IP66
- Marine Outside Type Saltwater
- ABS

### STANDARDS

- UL 1598A - Luminaires for Marine Vessels

### TECHNICAL SPECIFICATIONS

#### PENDANT HOUSING

Cast copper free aluminum.

#### GUARD

Cast copper free aluminum.

#### HARDWARE

Stainless steel.

#### ENTRIES

Standard one ½" NPT outlet. Optional ¾" NPT.

#### GASKET

One piece silicone.

#### MOUNTING

Pendant type.

#### LAMP HOLDER

Medium base, high temperature PBT. Nickel plated copper screw shell. Porcelain or shockproof optional.

#### GLOBE

Glass, tempered glass or polycarbonate.

#### LAMP TYPE

Incandescent. Lamp not provided.

#### VOLTAGE

Rated up to 300v AC.

## ORDERING REFERENCES

PART NUMBER	DESCRIPTION	LAMP MAX	WEIGHT LBS
767A	Pendant Mount	A-19 100w	1.6
767A7	Pendant Mount	A-21 150w	1.8

## SPECIAL OPTIONS

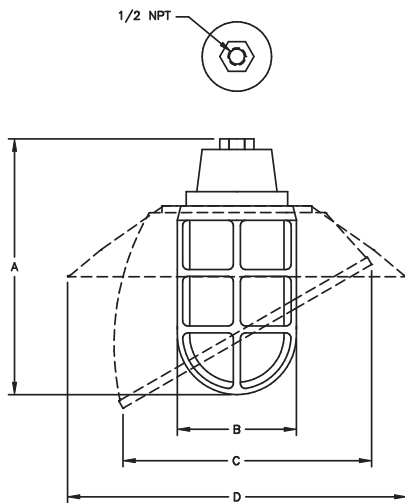
- P - Porcelain Lamp Holder
- SP - Shockproof Lamp Holder
- PG\* - Polycarbonate Clear Globe (Guard not provided)
- HR - Heat Resistant Clear Glass Globe
- FST - Frosted Globe
- RED - Red Globe
- BLU - Blue Globe
- GRN - Green Globe
- YEL - Yellow Globe
- E2 - 3/4" NPT Mounting
- L - Shallow Dome Reflector
- N - Angle Dome Reflector

\*100w incandescent only.

## SPARE PARTS

Part No.	Description	Part No.	Description
INX3528	LAMP, 100w	INX1037A	GUARD, 100w 6"
INX3543	LAMP, 150w	INX1037A	GUARD, 150w 7"
INX4000	LAMP HOLDER, Standard PBT	INX4544	REFLECTOR, Shallow Dome, 100w/150w
INX4000P	LAMP HOLDER, Porcelain	INX4539A	REFLECTOR, Angle Dome, 100w/150w
INX4000SP	LAMP HOLDER, Shockproof	INX2006*	GLASS GLOBE, 100w 6"
GKT2002SIL	GASKET, 100w	INX2007*	GLASS GLOBE, 150w 7"
GKT2002SIL	GASKET, 150w		

\*Add one of the following suffix to the above part number to obtain the globe.  
 Clear Heat Resistant - HR Clear - CLR Green - GRN  
 Frosted - FST Red - RED Yellow - YEL Blue - BLU



Dimensions in inches

## DIMENSIONS

Part No.	A	B	Option "N" C	Option "L" D
767A	8 3/4"	4 1/4"	9 1/4"	12 1/2"
767A7	9 1/2"	4 1/4"	9 1/4"	12 1/2"

# Pro

## ProGuard 1440/al



### FEATURES

- Low profile heavy duty cargo hold or pit light.
- Designed for severe and harsh environments.
- Available in 100w incandescent. Suitable for self ballasted compact fluorescent.
- Hinged guard and captive hardware for ease of relamping.
- Neoprene gaskets resist petroleum and provide a watertight seal.

### APPLICATIONS

- Marine and watertight requirements
- Transportation / exploration vessels
- Ferries
- Tankers
- Cargo hold lighting
- Pit lighting

### APPROVALS

- Conforms to IP 66
- Marine Outside Type Saltwater
- ABS

### STANDARDS

- UL 1598A - Luminaires for Marine Vessels

### TECHNICAL SPECIFICATIONS

#### HOUSING & GUARD

Cast copper free aluminum.

#### REFLECTOR

Type 5052H32 aluminum with an electrostatically applied white polyester powder coat finish. Minimum 90% reflectance.

#### HARDWARE

Stainless steel.

#### ENTRIES

Standard units undrilled. Up to 3/4" NPT four way available. See ENTRY OPTIONS for selections.

#### GASKETS

One piece neoprene.

#### MOUNTING

Ceiling type.

#### LAMP HOLDER

Medium base, phenolic.

#### GLOBE

Clear impact resistant glass.

#### LAMP TYPE

A-19 100w max or self ballasted compact fluorescent. Lamp not provided.

#### VOLTAGE

Rated for use to 250v AC.

#### TERMINAL BLOCK

Four pole 20 Amp terminal block provided.

## ORDERING REFERENCES

PART NUMBER	DESCRIPTION	LAMP MAX	WEIGHT LBS
1440A	Cargo Hold	A-19 100w	5.8

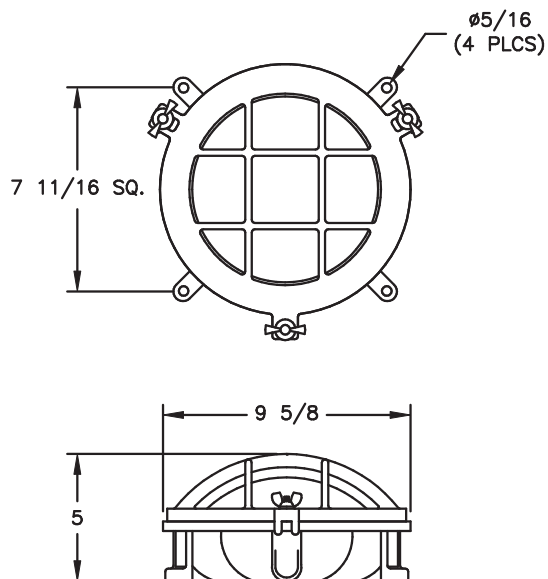
## ENTRY OPTIONS

NPT Trade Size	Dead End	Thru Feed	90 Degree	X-Positions
1/2"	E1	C1	L1	X1
3/4"	E2	C2	L2	X2

## SPARE PARTS

Part No.	Description		
INX4081	LAMP HOLDER, Phenolic	GKT1019SIL	GASKET, 100w Lens
INX1048A	GUARD, 100w	GKT1025	GASKET, 100w Housing
INX2143	GLOBE, 100w Clear	CX3070	TERMINAL BLOCK, 4 pole
INX3528	LAMP, 100w		

## DIMENSIONS



1440

Dimensions in inches

# Pro

## ProMark 1158/1159/al



### FEATURES

- Steady burn marker.
- Available in 100w incandescent or 13w, 18w, 26w and 32w compact fluorescent.
- High temperature silicone gaskets provide a watertight seal.
- Watertight mounting in any direction.
- Protective guard available.
- Heat and impact resistant glass fresnel lens in clear, yellow, green, red or blue.

### APPLICATIONS

- Obstruction marking
- Heli-pad marking
- Ceiling/surface or stem/pendant mount types
- Marine and watertight requirements

### APPROVALS

- Conforms to IP66
- Marine Outside Type Saltwater
- ABS

### STANDARDS

- UL 1598A - Luminaires for Marine Vessels

### TECHNICAL SPECIFICATIONS

#### HOUSING

Cast copper free aluminum.

#### GUARD

Optional, cast copper free aluminum.

#### HARDWARE

Stainless steel.

#### ENTRIES

Stem/pendant type - one 3/4" NPT.

Ceiling/surface type - undrilled, up to 3/4" NPT four way available.

See ENTRY OPTIONS for selections.

#### GASKETS

One piece silicone.

#### MOUNTING

Ceiling/surface or stem/pendant.

#### LAMP HOLDER

Medium base, high temperature PBT. Nickel plated copper screw shell. Compact fluorescent polycarbonate. Porcelain or shockproof optional.

#### LENS

Tempered fresnel glass in clear red, blue, green or yellow.

#### LAMP TYPE

A-19 100w incandescent or 4 Pin compact fluorescent. Lamp not provided.

#### VOLTAGE

Rated up to 250v. Compact fluorescent rated to 120v 50/60Hz, 277v 50/60Hz.

#### TERMINAL BLOCK

Optional 4 or 6 pole terminal block on ceiling/surface types.

## ORDERING REFERENCES

PART NUMBER	DESCRIPTION	LENS COLOR	WEIGHT LBS*
1158A	Stem/Pendant	Clear	3.6
1158ARED	Stem/Pendant	Red	3.6
1158ABLU	Stem/Pendant	Blue	3.6
1158AGRN	Stem/Pendant	Green	3.6
1158AYEL	Stem/Pendant	Yellow	3.6
1159A	Ceiling/Surface	Clear	3.6
F1159A-#	Ceiling/Surface	Clear	3.6
1159ARED	Ceiling/Surface	Red	3.6
F1159ARED-#	Ceiling/Surface	Red	3.6
1159ABLU	Ceiling/Surface	Blue	3.6
F1159ABLU-#	Ceiling/Surface	Blue	3.6
1159AGRN	Ceiling/Surface	Green	3.6
F1159AGRN-#	Ceiling/Surface	Green	3.6
1159AYEL	Ceiling/Surface	Yellow	3.6
F1159AYEL-#	Ceiling/Surface	Yellow	3.6

# Enter compact fluorescent (CF) wattage desired: 13, 18, 26 or 32.

\*Add .3 lbs for guard.

## SPECIAL OPTIONS

- P\* - Porcelain Lamp Holder
- SP - Shockproof Lamp Holder
- T\* - Terminal Block, 4 pole (Ceiling/Surface types)
- T6\* - Terminal Block, 6 pole (Ceiling/Surface types)
- GRD - Guard
- 276 - 277v 60Hz (Compact fluorescent only)

\*Not available for compact fluorescent.

## ENTRY OPTIONS

### 1159 Ceiling/Surface Type

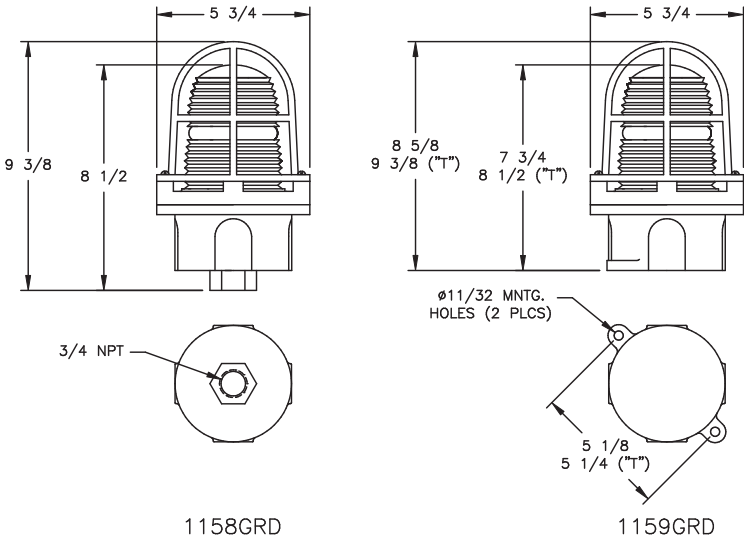
NPT Trade Size	Dead End	Thru Feed	90 Degree	X-Positions
1/2"	E1	C1	L1	X1
3/4"	E2	C2	L2	X2

## SPARE PARTS

Part No.	Description
INX4000	LAMP HOLDER, Standard PBT
INX4000SP	LAMP HOLDER, Shockproof
INX4000P	LAMP HOLDER, Porcelain
FX4042	LAMP HOLDER, 13w compact fluorescent
FX4030	LAMP HOLDER, 18w compact fluorescent
FX4034	LAMP HOLDER, 26/32w compact fluorescent
CX3070	TERMINAL BLOCK, 4 pole
CX3076	TERMINAL BLOCK, 6 pole
FX5206	BALLAST, 120VAC 60Hz
FX5242	BALLAST, 277VAC 60Hz
GKT1143	GASKET SET
INX1004A	GUARD
INX2058C	LENS (5" overall length), Clear
INX2058G	LENS (5" overall length), Green
INX2058B	LENS (5" overall length), Blue
INX2058R	LENS (5" overall length), Red
INX2058Y	LENS (5" overall length), Yellow
INX3528	LAMP, 100w A-19
FX3531	LAMP, 13w compact fluorescent
FX3552	LAMP, 18w compact fluorescent
FX3553	LAMP, 26w compact fluorescent
FX3554	LAMP, 32w compact fluorescent

# ProMark **1158/1159**/al

## DIMENSIONS



Dimensions in inches

NOTES

# Pro

## ProMark **POB/al**



### FEATURES

- Available in up to 116w incandescent.
- Aeronautical obstruction light with bottom or side entries.
- Available in single and double lamp units.
- Easy relamping through quick release side latches.
- Red fresnel lens provided.
- Retained lens helps prevent damage or loss of the lens during servicing.
- Optional transfer relay for use on 116w lamps transfers power to a second lamp when the first lamp fails.
- Neoprene gasket resists petroleum.

### APPLICATIONS

- Obstruction marking
- Heli-pad marking
- Stem/pendant mount or side entry
- Airports
- Vessel mast obstruction
- Drill ships and tankers
- Cargo ships
- Crane boom marking

### APPROVALS

- FAA AC 150/5345 - 43E
- FAA Type L810 Steady Burning Obstruction Light
- Compliant to: Transport Canada TP312E
- ICAO Annex 14
- ICAO Type Low-Intensity Obstacle Light
- USAF AFMAN 32-1076

### TECHNICAL SPECIFICATIONS

#### HOUSING

Cast aluminum with an electrostatically applied powder coat finish.

#### MOUNTING/ENTRIES

Stem/pendant type or side entry, 3/4" or 1" NPT.

#### GASKET

Neoprene.

#### LAMP HOLDER

Medium base.

#### LENS

Heat resistant glass, red fresnel.

#### LAMP TYPE

Incandescent up to 116w A-21. Lamps not provided.

#### RETAINING CHAIN

Stainless steel.

#### VOLTAGE

Rated up to 230v.

## ORDERING REFERENCES

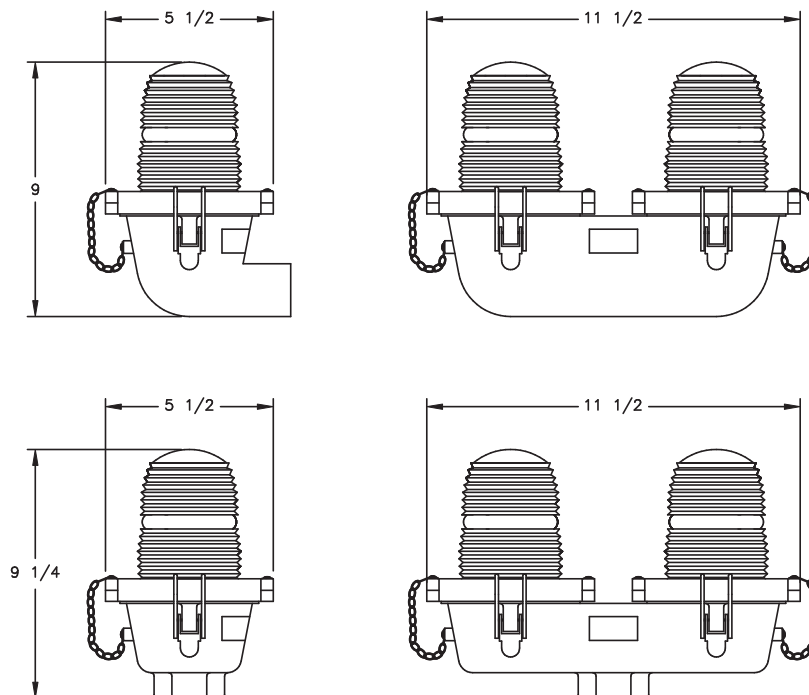
PART NUMBER	DESCRIPTION	WEIGHT LBS	ENTRANCE	NPT SIZE
POB21A31	Single Unit	4.0	Side	3/4"
POB21A41	Single Unit	4.0	Side	1"
POB20A31	Single Unit	4.0	Bottom	3/4"
POB20A41	Single Unit	4.0	Bottom	1"
POB22A31	Double Unit	8.0	Bottom	3/4"
POB22A41	Double Unit	8.0	Bottom	1"
POB24A31	Double Unit	8.0	Side	3/4"
POB24A41	Double Unit	8.0	Side	1"
POB22TR-3#	Double Unit w/Transfer Relay	8.0	Bottom	3/4"
POB22TR-4#	Double Unit w/Transfer Relay	8.0	Bottom	1"
POB24TR-3#	Double Unit w/Transfer Relay	8.0	Side	3/4"
POB24TR-4#	Double Unit w/Transfer Relay	8.0	Side	1"

# Specify 1 (120V) or 2 (220V) to complete part number.

## SPARE PARTS

Part No.	Description		
POL116B	LAMP, 116w A-21/TS 120v	PKR1050A	TRANSFER RELAY
PPK1095A	GASKET	PGL1020	LENS, Red
PLX1019	LAMP HOLDER	PAU5039	LENS HOLDER ASSEMBLY
PHA5037	SPRING FOR LATCH		

## DIMENSIONS



Dimensions in inches