

# F1143 SERIES

## COMPACT FLUORESCENT LUMINAIRES

### Installation & Maintenance Information

**SAVE THESE INSTRUCTIONS FOR FUTURE REFERENCE**

**CAUTION** Read carefully before installing and wiring the luminaire. Any warning or special instructions should be closely followed. Must be installed in accordance with the NEC (National Electrical Code) and all other applicable codes. All luminaires must be properly grounded. These luminaires are not suitable for hazardous locations.

These luminaires are provided with one 1/2" knockout. Do not attempt to install this luminaire unless you are familiar with warnings, cautions and procedures outlined in this information sheet.

#### INSTALLATION & ELECTRICAL WIRING

**WARNING** Risk of electrical shock hazard, only qualified personnel should conduct this procedure! Do not make electrical connections with the power ON. Use cu or cu clad wire only, see product label for wire temperature rating.

1. Make (4) mounting holes for minimum #10 screws (not provided) per mounting dimensions below or select junction box (not provided) to fit mounting dimensions.
2. Remove lens (1B) by loosening knob and washer (9B).
3. Remove reflector assembly (1C) by removing screws and washers (9C) (qty. 4x, #10-32).
4. Break knockout (8A).

**NOTE:** This fixture is listed as " Marine Inside Type Drip-proof", gasket (7A) needs to be use against a flat mounting surface to insure a drip-proof seal around wires and mounting hardware. If not mounting to a junction box, use proper cord grip (not provided) to maintain drip-proof integrity.

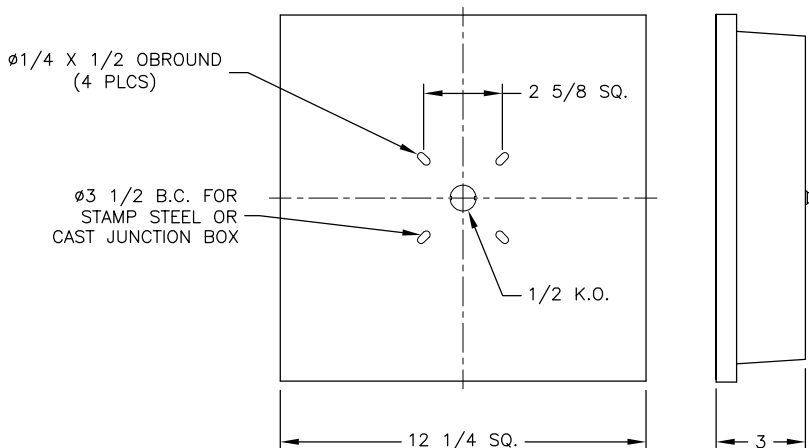
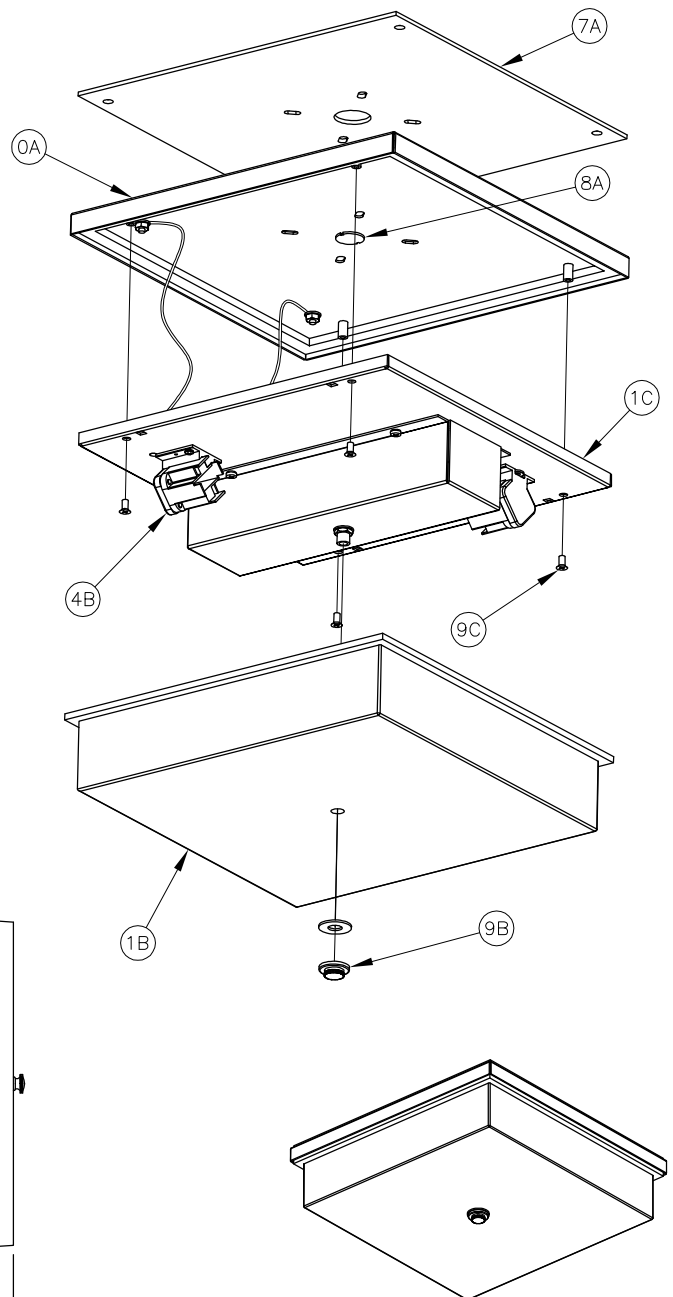
5. Position gasket (7A) between housing (0A) and mounting surface.
6. Secure housing using (4) minimum size #10 screws (not provided).
7. Strip the supply cable(s) jacket (not provided) back approximately 4".
8. Strip the insulation of the supply wires back approximately 3/8".

**CAUTION** See nameplate for voltage & frequency requirements!

9. Using connectors, connect the L1 or hot lead to black and L2 or neutral to the white wire. Connect ground wire to ground screw or green wire.
10. Push each electrical connections thru housing opening (8A) and into junction box (not provided).
11. Carefully replace reflector assembly (1C) making sure wires are not pinched. Secure inside housing (0A) with screws and washers (9C) (qty. 4x, #10-32).

**CAUTION** Use only lamp to lampholder type and wattage rating as indicated on the luminaire. Exceeding this can cause over heating, premature failure and be dangerous.

12. Install the proper wattage lamp (not provided) into the lampholder (4B), making sure the contact of the lamp seats well into the lampholder (4B).
13. Replace lens (1B) and tighten knob and washer (9B).



All statements, technical information and recommendations contained herein are based on information and tests we believe to be reliable. The accuracy or completeness thereof are not guaranteed. In accordance with Crouse-Hinds "Terms and Conditions of Sale", and since conditions of use are outside our control, the purchaser should determine the suitability of the product for his intended use and assumes all risk and liability whatsoever in connection therewith.