


Count	Description
1	<p data-bbox="225 338 411 367"><b>DME 375-10 AR</b></p> <div data-bbox="304 427 507 595">  </div> <p data-bbox="619 680 1070 707" style="text-align: center;">Product photo could vary from the actual product</p> <p data-bbox="225 712 491 741">Product No.: <a href="#">96529120</a></p> <ul style="list-style-type: none"> <li data-bbox="225 770 1458 824">·Compact positive displacement diaphragm dosing pump, with integrated variable speed motor drive, in an IP 65 plastic enclosure.</li> <li data-bbox="225 831 1390 884">·The pump is designed for optimum user-friendliness, accuracy and reliability, and is equipped with a logical control panel with one-touch buttons and a multi-language backlight display.</li> <li data-bbox="225 891 1094 920">·The capacity to be dosed in each function is set directly in gal,l, or ml per hour.</li> <li data-bbox="225 927 1434 981">·For enhanced accuracy, the pump can be calibrated to the actual installation by means of a simple calibration function.</li> <li data-bbox="225 987 1437 1041">·The turndown ratio is 1 to 800 with the same accuracy and uniform dosage with reduced pulsation throughout the entire capacity range.</li> <li data-bbox="225 1048 1442 1102">·The pump is also equipped with a maximum capacity function (100%) that allows it to work for a preset time at max capacity to facilitate priming or ordinary maintenace, without modifying the pump's settings.</li> </ul> <p data-bbox="225 1153 564 1182">The liquid end is composed of:</p> <ul style="list-style-type: none"> <li data-bbox="225 1189 363 1218">·Pump head</li> <li data-bbox="225 1225 507 1254">·PTFE-coated diaphragm</li> <li data-bbox="225 1261 352 1290">·Ball valves</li> <li data-bbox="225 1296 448 1326">·Manual bleed valve</li> </ul> <p data-bbox="225 1332 520 1361">Possible operating modes:</p> <ul style="list-style-type: none"> <li data-bbox="225 1368 871 1397">·Manual dosing with direct setting in gph, ml/hour, or l/hour</li> <li data-bbox="225 1404 1206 1433">·External pulse control from external controller or flow meter with direct setting in ml/pulse</li> <li data-bbox="225 1440 1437 1494">·External analog 4-20, 20-4, 0-20 and 20-0 mA control with possibility to adjust the pump capacity at maximum signal.</li> <li data-bbox="225 1500 708 1529">·Timer-based batch function (internal timer).</li> <li data-bbox="225 1536 719 1565">·Pulse-based batch function (external pulse).</li> </ul> <p data-bbox="225 1572 392 1601">Other features:</p> <ul style="list-style-type: none"> <li data-bbox="225 1608 842 1637">·Electronic lock to prevent unauthorized setting changes</li> <li data-bbox="225 1644 1078 1673">·Anti-cavitation function for high-viscosity, gassing liquids or long suction lines</li> <li data-bbox="225 1680 544 1709">·Maximum capacity limitation</li> <li data-bbox="225 1715 1075 1744">·Counters for numbers of pump strokes, hours of operation, and power on/off.</li> <li data-bbox="225 1751 564 1780">·14 optional display languages</li> <li data-bbox="225 1787 887 1816">·Level control with input for low level and empty tank signals</li> <li data-bbox="225 1823 440 1852">·Alarm relay output</li> <li data-bbox="225 1859 448 1888">·Overload protection</li> </ul> <p data-bbox="225 1868 336 1897"><b>Controls:</b></p> <p data-bbox="225 1904 1225 1957">Control variant: AR Level control: input for dual-level sensor or external start/stop integrated</p> <p data-bbox="225 1986 312 2016"><b>Liquid:</b></p> <p data-bbox="225 2022 708 2103">Pumped liquid: Water Selected liquid temperature: 68 °F Density: 62.29 lb/ft<sup>3</sup></p>



Company name:

Created by:

Phone:

Date:

4/11/2019

Count	Description
	<p><b>Technical:</b> Approvals on nameplate: CSA, CE</p> <p><b>Materials:</b> Pump housing: Stainless steel 1.4401 Valve ball: Stainless steel 1.4401 Gasket: FKM</p> <p><b>Installation:</b> Maximum operating pressure: 145.04 psi Pump inlet: THREADED NPT 1 1/4" Pump outlet: THREADED NPT 1 1/4"</p> <p><b>Electrical data:</b> Main frequency: 60 Hz Rated voltage: 1 x 120 V Rated current: 2.4 A Type of cable plug: USA,CANADA</p> <p><b>Others:</b> Custom tariff no.: 8413.50.0050</p>



Company name:

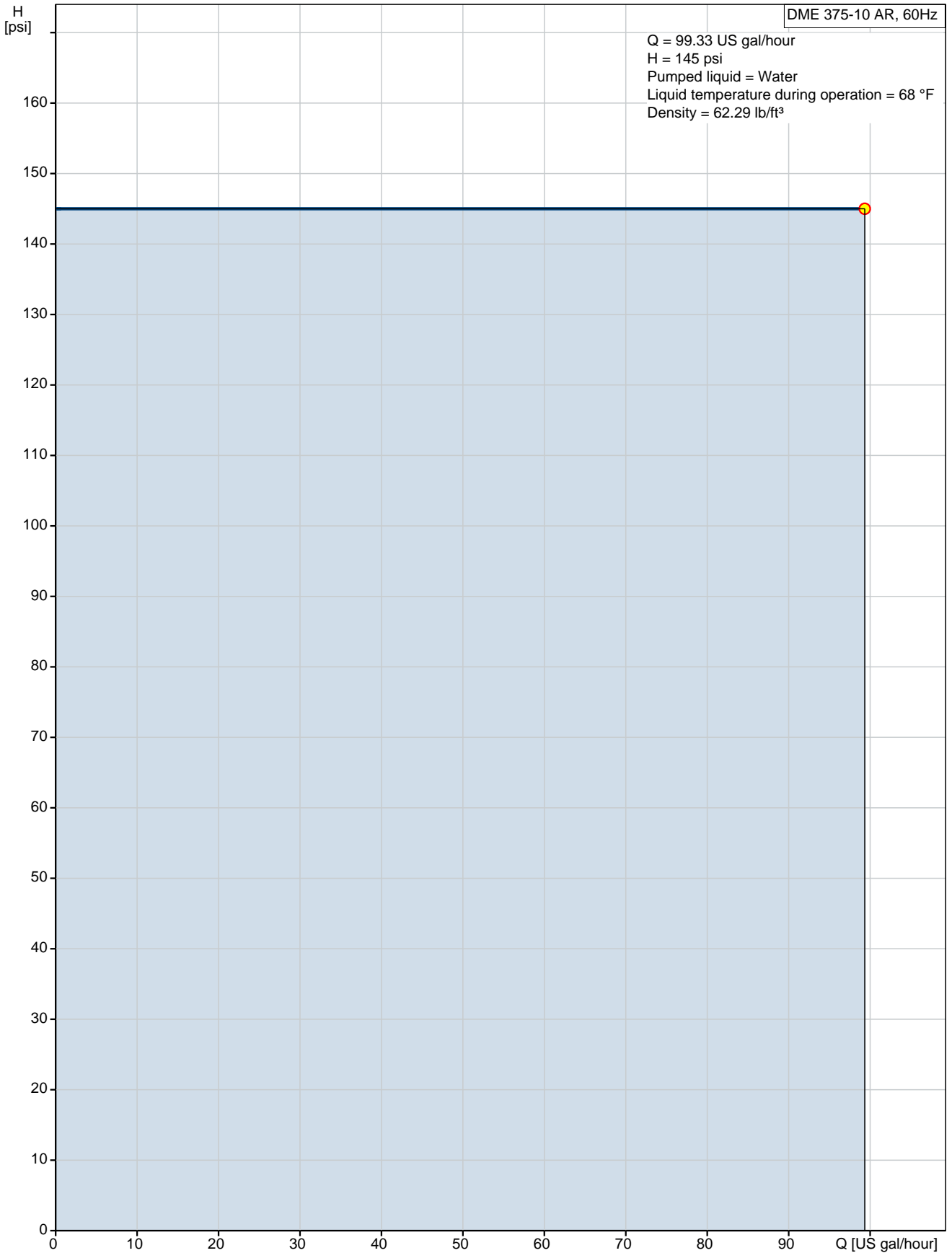
Created by:

Phone:

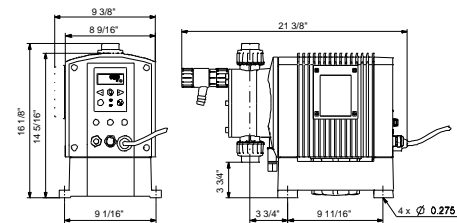
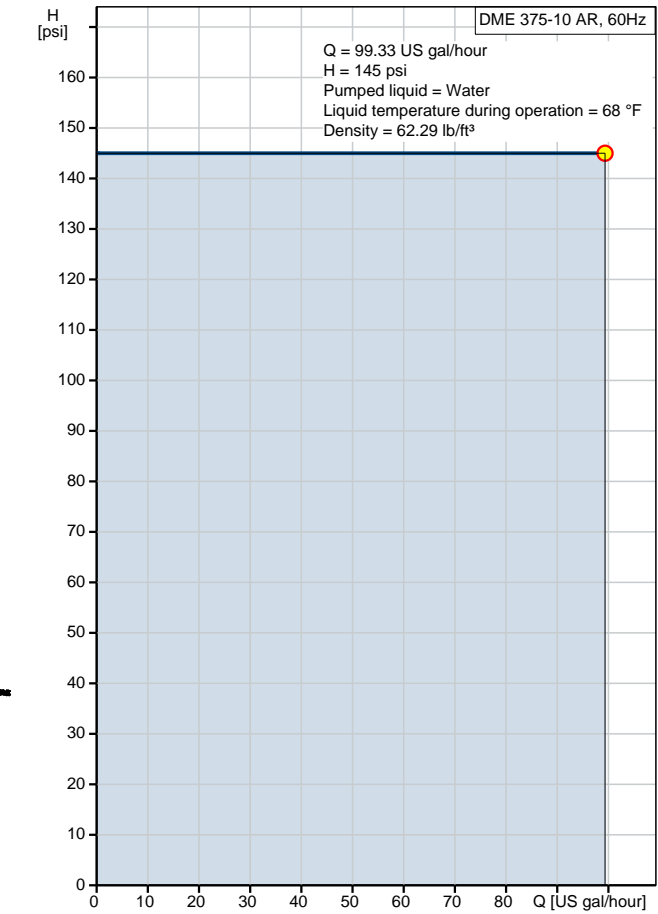
Date:

4/11/2019

## 96529120 DME 375-10 AR 60 Hz



Description	Value
<b>General information:</b>	
Product name:	DME 375-10 AR
Product No.:	96529120
EAN:	5700397157275
<b>Technical:</b>	
Max. capacity:	99.06 US gal/hour
Approvals on nameplate:	CSA, CE
Anti-cavitation:	function integrated
Venting valve:	No
Valve:	Standard
<b>Materials:</b>	
Pump housing:	Stainless steel 1.4401
Valve ball:	Stainless steel 1.4401
Gasket:	FKM
<b>Installation:</b>	
Maximum operating pressure:	145.04 psi
Pump inlet:	THREADED NPT 1 1/4"
Pump outlet:	THREADED NPT 1 1/4"
<b>Liquid:</b>	
Pumped liquid:	Water
Selected liquid temperature:	68 °F
Density:	62.29 lb/ft <sup>3</sup>
<b>Electrical data:</b>	
Main frequency:	60 Hz
Rated voltage:	1 x 120 V
Rated current:	2.4 A
Type of cable plug:	USA,CANADA
<b>Controls:</b>	
Control variant:	AR
Control panel:	front
Level control:	input for dual-level sensor or external start/stop integrated
Pulse control:	input for pulse control integrated
Batch (puls):	puls-based batch function integrated
4-20 mA control:	input for analog 4-20 mA control integrated
Capacity limit:	max. capacity limitation function integrated
Batch (timer):	timer-based batch function integrated
Other in/output:	ALARM RELAY
<b>Others:</b>	
Custom tariff no.:	8413.50.0050



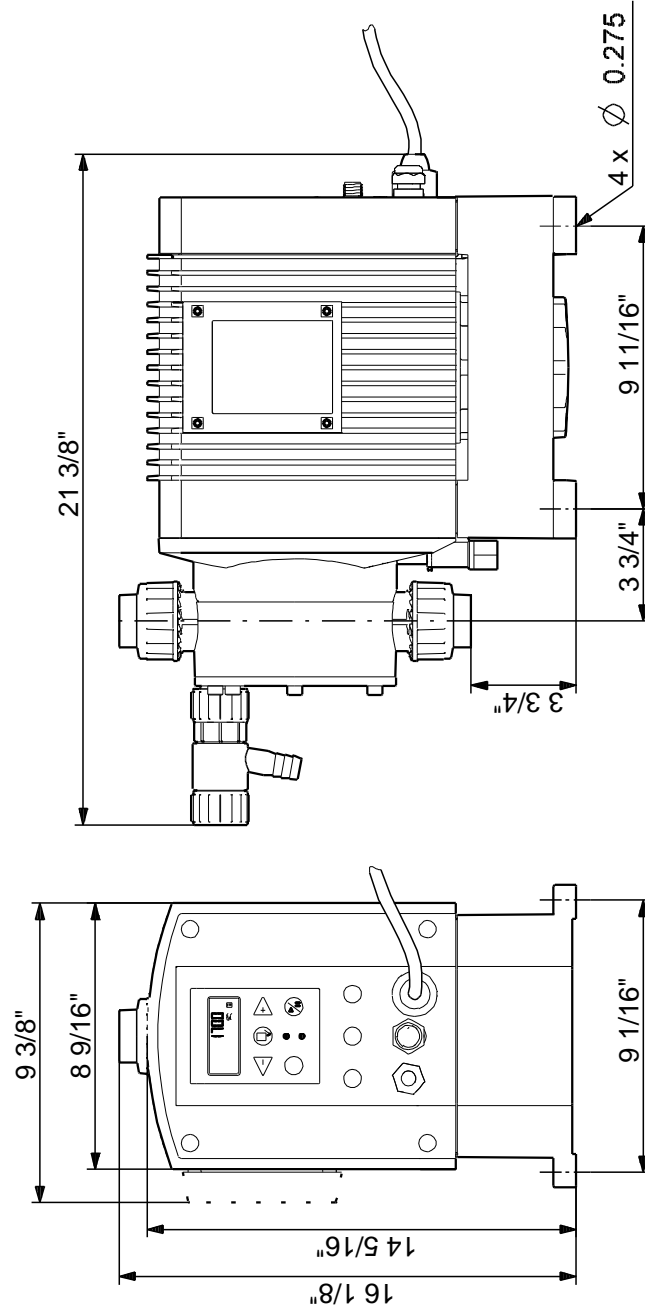
See Installation and Operating Instructions

Siehe Montage- und Betriebsanleitung

Voir Notice d'installation et d'entretien

Se monterings- og driftsinstruktion

## 96529120 DME 375-10 AR 60 Hz



Note! All units are in [in] unless otherwise stated.  
Disclaimer: This simplified dimensional drawing does not show all details.

**96529120 DME 375-10 AR 60 Hz**

**See Installation and Operating Instructions**

**Siehe Montage- und Betriebsanleitung**

**Voir Notice d'installation et d'entretien**

**Se monterings- og driftsinstruktion**

All units are [in] unless otherwise presented.



Company name:

Created by:

Phone:

Date:

4/11/2019

---

**Order Data:**

Product name: DME 375-10 AR

Amount: 1

Product No.: 96529120

Total: Price on request

---