


Count	Description																
1	<p data-bbox="225 338 392 367">DME 375-10 B</p> <div data-bbox="304 427 507 595">  </div> <p data-bbox="619 680 1070 707" style="text-align: center;">Product photo could vary from the actual product</p> <p data-bbox="225 712 491 741">Product No.: 96529125</p> <ul style="list-style-type: none"> <li data-bbox="225 770 1458 824">·Compact positive displacement diaphragm dosing pump, with integrated variable speed motor drive, in an IP 65 plastic enclosure. <li data-bbox="225 831 1390 884">·The pump is designed for optimum user-friendliness, accuracy and reliability, and is equipped with a logical control panel with one-touch buttons and a multi-language backlight display. <li data-bbox="225 891 1094 920">·The capacity to be dosed in each function is set directly in gal,l, or ml per hour. <li data-bbox="225 927 1434 981">·For enhanced accuracy, the pump can be calibrated to the actual installation by means of a simple calibration function. <li data-bbox="225 987 1437 1041">·The turndown ratio is 1 to 800 with the same accuracy and uniform dosage with reduced pulsation throughout the entire capacity range. <li data-bbox="225 1048 1442 1102">·The pump is also equipped with a maximum capacity function (100%) that allows it to work for a preset time at max capacity to facilitate priming or ordinary maintenace, without modifying the pump's settings. <p data-bbox="225 1153 564 1182">The liquid end is composed of:</p> <ul style="list-style-type: none"> <li data-bbox="225 1189 363 1218">·Pump head <li data-bbox="225 1225 507 1254">·PTFE-coated diaphragm <li data-bbox="225 1261 352 1290">·Ball valves <li data-bbox="225 1296 448 1326">·Manual bleed valve <p data-bbox="225 1332 520 1361">Possible operating modes:</p> <ul style="list-style-type: none"> <li data-bbox="225 1368 871 1397">·Manual dosing with direct setting in gph, ml/hour, or l/hour <p data-bbox="225 1426 392 1456">Other features:</p> <ul style="list-style-type: none"> <li data-bbox="225 1462 842 1491">·Electronic lock to prevent unauthorized setting changes <li data-bbox="225 1498 1078 1527">·Anti-cavitation function for high-viscosity, gassing liquids or long suction lines <li data-bbox="225 1534 544 1563">·Maximum capacity limitation <li data-bbox="225 1570 1075 1599">·Counters for numbers of pump strokes, hours of operation, and power on/off. <li data-bbox="225 1606 568 1635">·14 optional display languages. <li data-bbox="225 1641 448 1671">·Overload protection <p data-bbox="225 1677 336 1706">Controls:</p> <table data-bbox="225 1713 743 1749"> <tr> <td>Control variant:</td> <td>B</td> </tr> <tr> <td>Level control:</td> <td>not integrated</td> </tr> </table> <p data-bbox="225 1778 312 1807">Liquid:</p> <table data-bbox="225 1814 708 1895"> <tr> <td>Pumped liquid:</td> <td>Water</td> </tr> <tr> <td>Selected liquid temperature:</td> <td>68 °F</td> </tr> <tr> <td>Density:</td> <td>62.29 lb/ft³</td> </tr> </table> <p data-bbox="225 1924 352 1953">Technical:</p> <table data-bbox="225 1960 691 1995"> <tr> <td>Approvals on nameplate:</td> <td>CSA, CE</td> </tr> </table> <p data-bbox="225 2024 344 2054">Materials:</p> <table data-bbox="225 2060 748 2110"> <tr> <td>Pump housing:</td> <td>Polypropylene</td> </tr> <tr> <td>Valve ball:</td> <td>Glass</td> </tr> </table>	Control variant:	B	Level control:	not integrated	Pumped liquid:	Water	Selected liquid temperature:	68 °F	Density:	62.29 lb/ft³	Approvals on nameplate:	CSA, CE	Pump housing:	Polypropylene	Valve ball:	Glass
Control variant:	B																
Level control:	not integrated																
Pumped liquid:	Water																
Selected liquid temperature:	68 °F																
Density:	62.29 lb/ft³																
Approvals on nameplate:	CSA, CE																
Pump housing:	Polypropylene																
Valve ball:	Glass																



Company name:

Created by:

Phone:

Date:

4/11/2019

Count	Description
	<p>Gasket: FKM</p> <p>Installation: Maximum operating pressure: 145.04 psi Pump inlet: THREADED NPT 1 1/4" Pump outlet: THREADED NPT 1 1/4"</p> <p>Electrical data: Main frequency: 60 Hz Rated voltage: 1 x 120 V Rated current: 2.4 A Type of cable plug: USA,CANADA</p> <p>Others: Custom tariff no.: 8413.50.0050</p>



Company name:

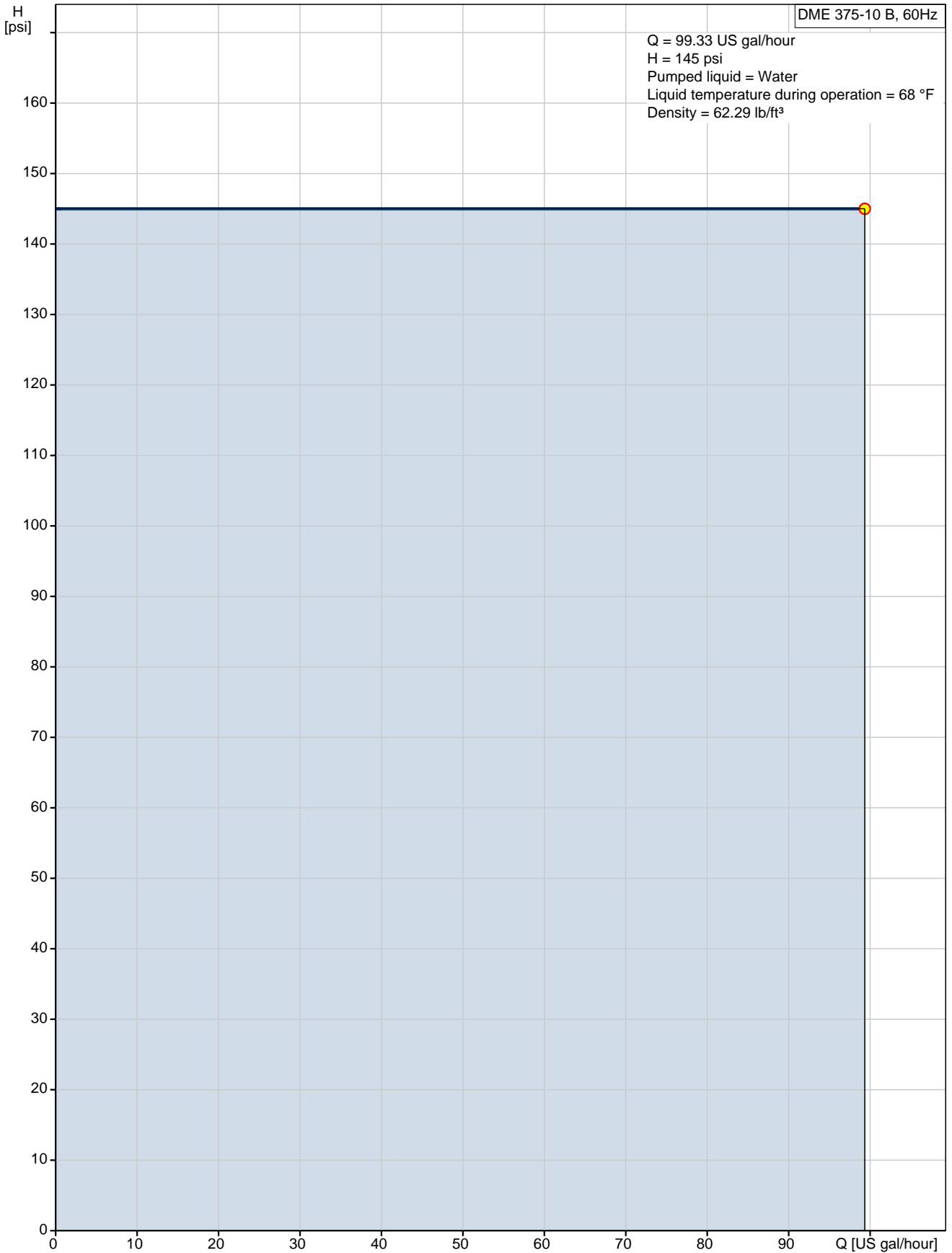
Created by:

Phone:

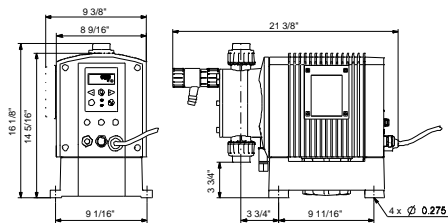
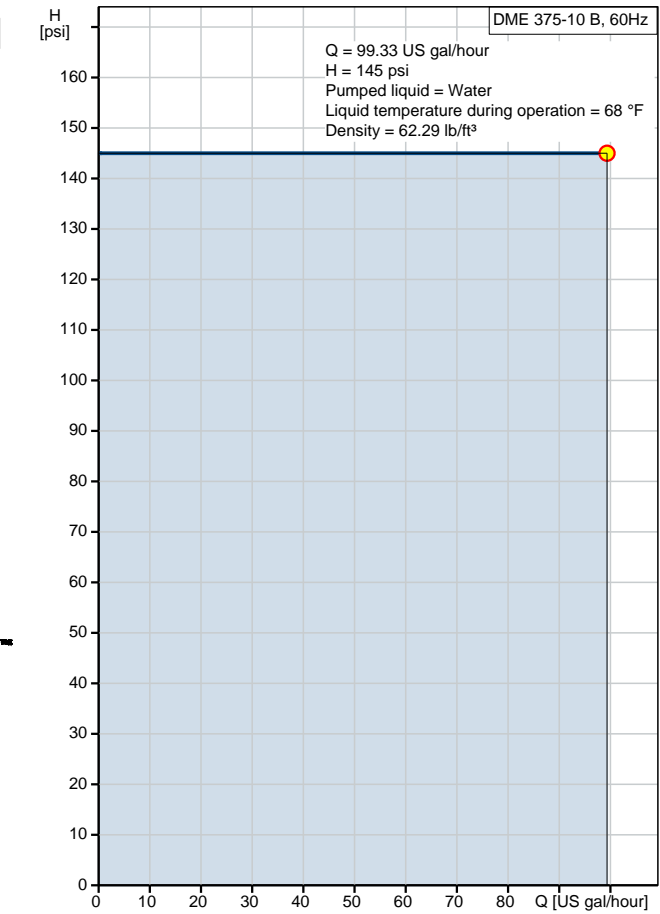
Date:

4/11/2019

96529125 DME 375-10 B 60 Hz



Description	Value
General information:	
Product name:	DME 375-10 B
Product No.:	96529125
EAN:	5700397157329
Technical:	
Max. capacity:	99.06 US gal/hour
Approvals on nameplate:	CSA, CE
Anti-cavitation:	function integrated
Venting valve:	integrated in pump housing
Valve:	Standard
Materials:	
Pump housing:	Polypropylene
Valve ball:	Glass
Gasket:	FKM
Installation:	
Maximum operating pressure:	145.04 psi
Pump inlet:	THREADED NPT 1 1/4"
Pump outlet:	THREADED NPT 1 1/4"
Liquid:	
Pumped liquid:	Water
Selected liquid temperature:	68 °F
Density:	62.29 lb/ft ³
Electrical data:	
Main frequency:	60 Hz
Rated voltage:	1 x 120 V
Rated current:	2.4 A
Type of cable plug:	USA,CANADA
Controls:	
Control variant:	B
Control panel:	front
Level control:	not integrated
Pulse control:	not integrated
Batch (puls):	not integrated
4-20 mA control:	not integrated
Capacity limit:	max. capacity limitation function integrated
Batch (timer):	not integrated
Other in/output:	no
Others:	
Custom tariff no.:	8413.50.0050



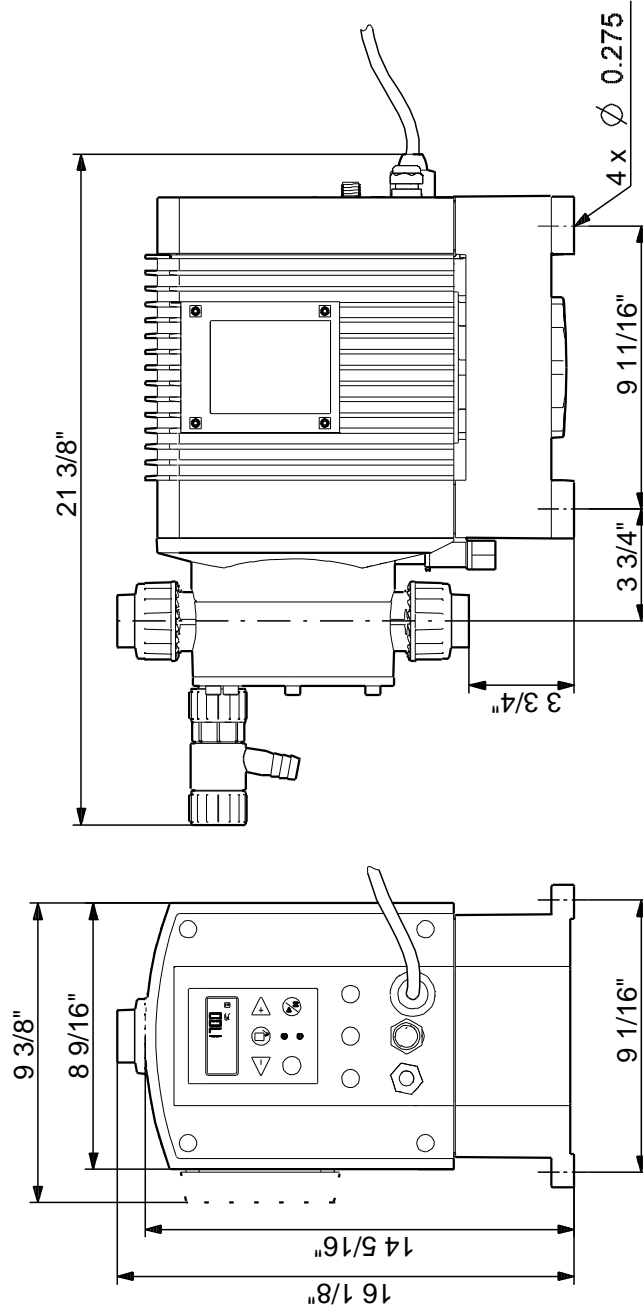
See Installation and Operating Instructions

Siehe Montage- und Betriebsanleitung

Voir Notice d'installation et d'entretien

Se monterings- og driftsinstruktion

96529125 DME 375-10 B 60 Hz



Note! All units are in [in] unless otherwise stated.
 Disclaimer: This simplified dimensional drawing does not show all details.

96529125 DME 375-10 B 60 Hz

See Installation and Operating Instructions

Siehe Montage- und Betriebsanleitung

Voir Notice d'installation et d'entretien

Se monterings- og driftsinstruktion

All units are [in] unless otherwise presented.



Company name:

Created by:

Phone:

Date:

4/11/2019

Order Data:

Product name: DME 375-10 B

Amount: 1

Product No.: 96529125

Total: Price on request
