

Count	Description																
1	<p data-bbox="225 338 391 365"><b>DME 375-10 B</b></p>  <p data-bbox="619 680 1070 707">Product photo could vary from the actual product</p> <p data-bbox="225 712 491 739">Product No.: <a href="#">96529126</a></p> <ul data-bbox="225 770 1460 1122" style="list-style-type: none"> <li>· Compact positive displacement diaphragm dosing pump, with integrated variable speed motor drive, in an IP 65 plastic enclosure.</li> <li>· The pump is designed for optimum user-friendliness, accuracy and reliability, and is equipped with a logical control panel with one-touch buttons and a multi-language backlight display.</li> <li>· The capacity to be dosed in each function is set directly in gal, l, or ml per hour.</li> <li>· For enhanced accuracy, the pump can be calibrated to the actual installation by means of a simple calibration function.</li> <li>· The turndown ratio is 1 to 800 with the same accuracy and uniform dosage with reduced pulsation throughout the entire capacity range.</li> <li>· The pump is also equipped with a maximum capacity function (100%) that allows it to work for a preset time at max capacity to facilitate priming or ordinary maintenance, without modifying the pump's settings.</li> </ul> <p data-bbox="225 1151 564 1178">The liquid end is composed of:</p> <ul data-bbox="225 1182 507 1301" style="list-style-type: none"> <li>· Pump head</li> <li>· PTFE-coated diaphragm</li> <li>· Ball valves</li> <li>· Manual bleed valve</li> </ul> <p data-bbox="225 1330 520 1357">Possible operating modes:</p> <ul data-bbox="225 1361 871 1388" style="list-style-type: none"> <li>· Manual dosing with direct setting in gph, ml/hour, or l/hour</li> </ul> <p data-bbox="225 1420 392 1447">Other features:</p> <ul data-bbox="225 1451 1078 1630" style="list-style-type: none"> <li>· Electronic lock to prevent unauthorized setting changes</li> <li>· Anti-cavitation function for high-viscosity, gassing liquids or long suction lines</li> <li>· Maximum capacity limitation</li> <li>· Counters for numbers of pump strokes, hours of operation, and power on/off.</li> <li>· 14 optional display languages.</li> <li>· Overload protection</li> </ul> <p data-bbox="225 1659 336 1686"><b>Controls:</b></p> <table data-bbox="225 1691 743 1749"> <tr> <td>Control variant:</td> <td>B</td> </tr> <tr> <td>Level control:</td> <td>not integrated</td> </tr> </table> <p data-bbox="225 1778 312 1805"><b>Liquid:</b></p> <table data-bbox="225 1809 708 1899"> <tr> <td>Pumped liquid:</td> <td>Water</td> </tr> <tr> <td>Selected liquid temperature:</td> <td>68 °F</td> </tr> <tr> <td>Density:</td> <td>62.29 lb/ft<sup>3</sup></td> </tr> </table> <p data-bbox="225 1928 352 1955"><b>Technical:</b></p> <table data-bbox="225 1960 692 1986"> <tr> <td>Approvals on nameplate:</td> <td>CSA, CE</td> </tr> </table> <p data-bbox="225 2016 344 2042"><b>Materials:</b></p> <table data-bbox="225 2047 748 2105"> <tr> <td>Pump housing:</td> <td>Polypropylene</td> </tr> <tr> <td>Valve ball:</td> <td>Glass</td> </tr> </table>	Control variant:	B	Level control:	not integrated	Pumped liquid:	Water	Selected liquid temperature:	68 °F	Density:	62.29 lb/ft <sup>3</sup>	Approvals on nameplate:	CSA, CE	Pump housing:	Polypropylene	Valve ball:	Glass
Control variant:	B																
Level control:	not integrated																
Pumped liquid:	Water																
Selected liquid temperature:	68 °F																
Density:	62.29 lb/ft <sup>3</sup>																
Approvals on nameplate:	CSA, CE																
Pump housing:	Polypropylene																
Valve ball:	Glass																



Company name:

Created by:

Phone:

Date:

4/11/2019

Count	Description
	<p>Gasket: FKM</p> <p><b>Installation:</b> Maximum operating pressure: 145.04 psi Pump inlet: THREADED NPT 1 1/4" Pump outlet: THREADED NPT 1 1/4"</p> <p><b>Electrical data:</b> Main frequency: 60 Hz Rated voltage: 1 x 120 V Rated current: 2.4 A Type of cable plug: USA,CANADA</p> <p><b>Others:</b> Custom tariff no.: 8413.50.0050</p>



Company name:

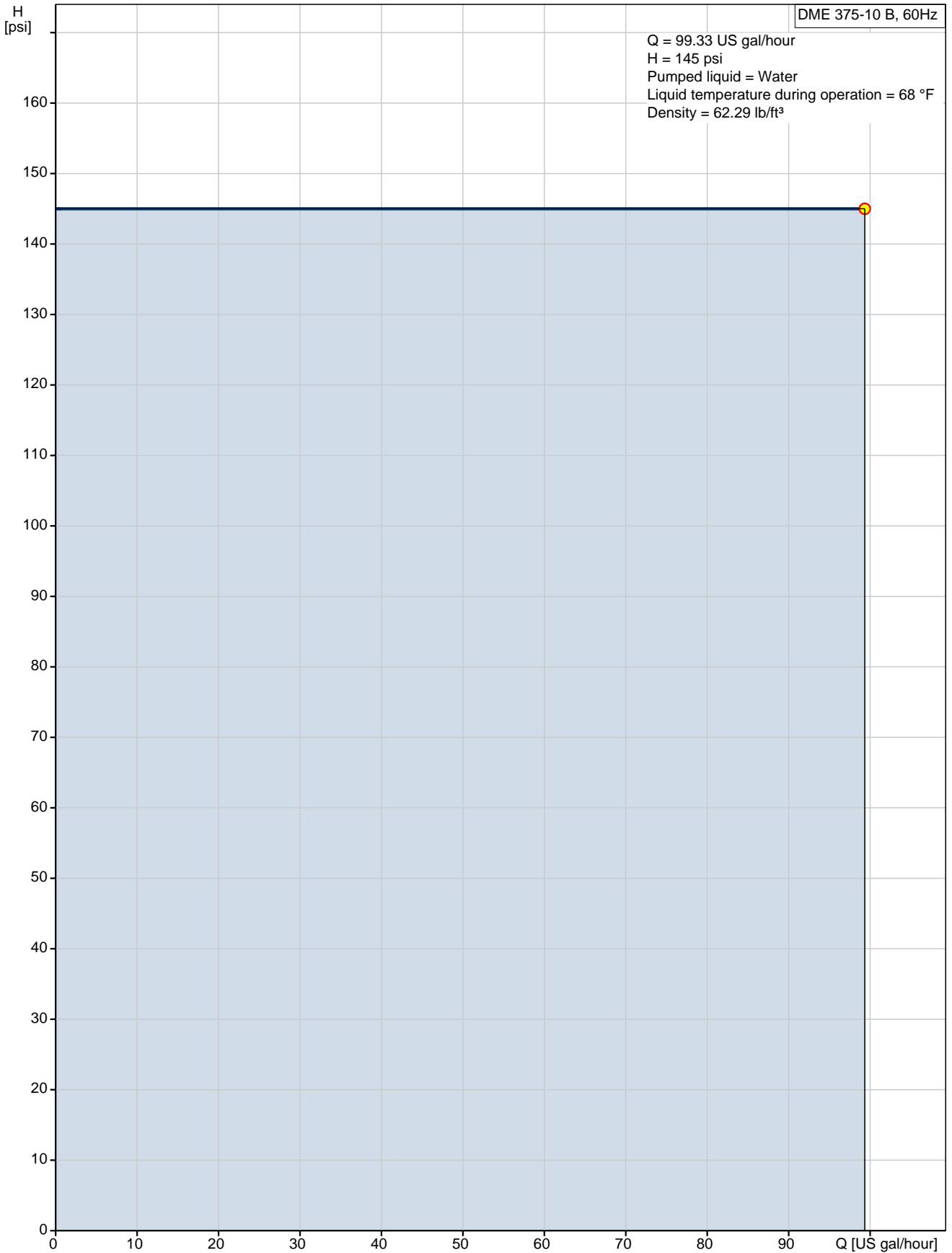
Created by:

Phone:

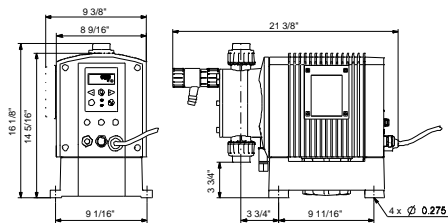
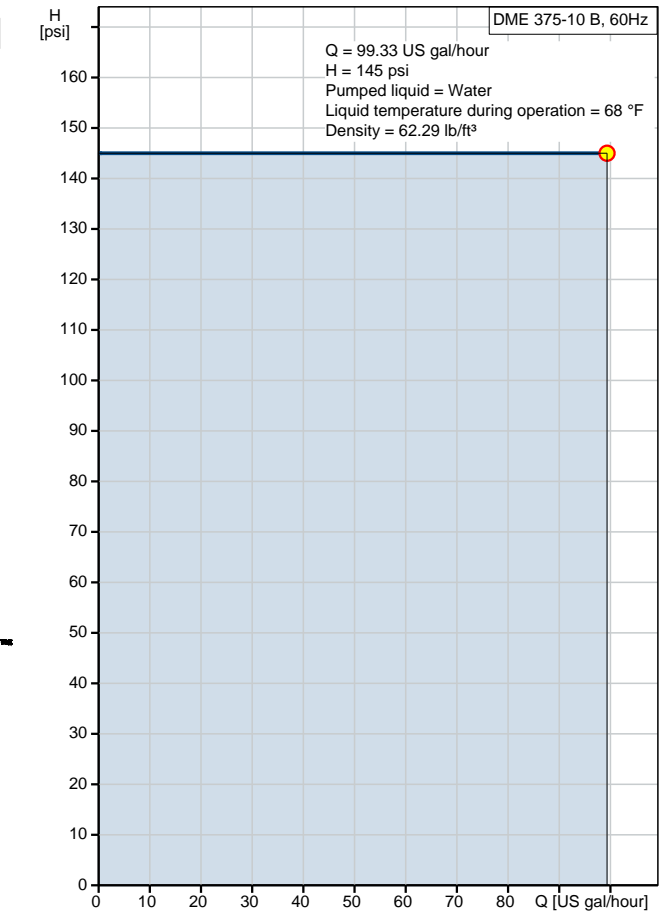
Date:

4/11/2019

## 96529126 DME 375-10 B 60 Hz



Description	Value
<b>General information:</b>	
Product name:	DME 375-10 B
Product No.:	96529126
EAN:	5700397157367
<b>Technical:</b>	
Max. capacity:	99.06 US gal/hour
Approvals on nameplate:	CSA, CE
Anti-cavitation:	function integrated
Venting valve:	integrated in pump housing
Valve:	Standard
<b>Materials:</b>	
Pump housing:	Polypropylene
Valve ball:	Glass
Gasket:	FKM
<b>Installation:</b>	
Maximum operating pressure:	145.04 psi
Pump inlet:	THREADED NPT 1 1/4"
Pump outlet:	THREADED NPT 1 1/4"
<b>Liquid:</b>	
Pumped liquid:	Water
Selected liquid temperature:	68 °F
Density:	62.29 lb/ft <sup>3</sup>
<b>Electrical data:</b>	
Main frequency:	60 Hz
Rated voltage:	1 x 120 V
Rated current:	2.4 A
Type of cable plug:	USA,CANADA
<b>Controls:</b>	
Control variant:	B
Control panel:	Side
Level control:	not integrated
Pulse control:	not integrated
Batch (puls):	not integrated
4-20 mA control:	not integrated
Capacity limit:	max. capacity limitation function integrated
Batch (timer):	not integrated
Other in/output:	no
<b>Others:</b>	
Custom tariff no.:	8413.50.0050



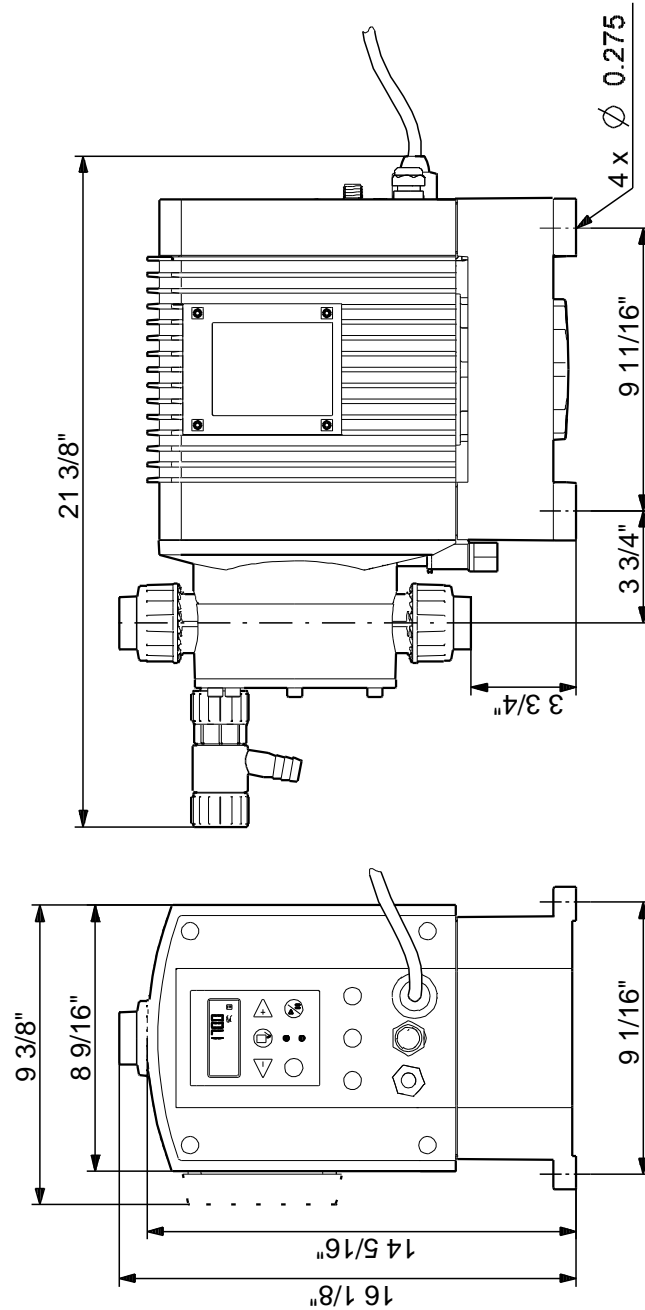
See Installation and Operating Instructions

Siehe Montage- und Betriebsanleitung

Voir Notice d'installation et d'entretien

Se monterings- og driftsinstruktion

## 96529126 DME 375-10 B 60 Hz



Note! All units are in [in] unless otherwise stated.  
 Disclaimer: This simplified dimensional drawing does not show all details.

**96529126 DME 375-10 B 60 Hz**

**See Installation and Operating Instructions**

**Siehe Montage- und Betriebsanleitung**

**Voir Notice d'installation et d'entretien**

**Se monterings- og driftsinstruktion**

All units are [in] unless otherwise presented.



Company name:

Created by:

Phone:

Date:

4/11/2019

---

**Order Data:**

Product name: DME 375-10 B

Amount: 1

Product No.: 96529126

Total: Price on request

---