


Count	Description																						
1	<p data-bbox="225 338 336 367">DDE 15-4</p> <div data-bbox="284 443 534 730" style="text-align: center;">  </div> <p data-bbox="619 723 1070 748" style="text-align: center;">Product photo could vary from the actual product</p> <p data-bbox="225 754 627 810">Product No.: 97721165 DDE 15-4 P-PVC/V/C-X-31U7U7BG</p> <p data-bbox="225 844 1449 969">The SMART Digital DDE is a compact positive displacement, diaphragm dosing pump with variable-speed drive (stepper motor) and intelligent control electronics with minimum energy consumption. The SMART Digital Dosing series operates at full stroke length to ensure optimum accuracy, priming and suction, even for degassing liquids. The duration of each discharge stroke varies according to the capacity set, resulting in optimum smooth and continuous discharge flow.</p> <p data-bbox="225 985 1417 1061">The click-stop mounting plate allows installation in three different positions without using any additional accessories. The dosing flow can be adjusted by means of an adjustment knob on a logarithmical scale from 0.1-100%.</p> <p data-bbox="225 1102 592 1128">The dosing head is composed of:</p> <ul data-bbox="264 1133 1050 1216" style="list-style-type: none"> - Long lifetime and universal chemical resistant Full-PTFE diaphragm. - Double ball valves for highest dosing accuracy. - Deaeration valve for easy start-up. <p data-bbox="225 1249 424 1276">Operation modes:</p> <ul data-bbox="264 1281 740 1337" style="list-style-type: none"> - Manual dosing from 0.1 to 100%. - Pulse control (divisor function included). <p data-bbox="225 1368 392 1395">Other features:</p> <ul data-bbox="264 1400 1024 1516" style="list-style-type: none"> - 100 % key (max. capacity), e.g. for deaeration. - Operation mode switch key between manual and pulse. - Status LEDs for pulse and manual. - Mechanical lock to protect the pump against unauthorised access. <p data-bbox="225 1547 472 1574">Signal- Inputs/outputs:</p> <ul data-bbox="264 1579 624 1635" style="list-style-type: none"> - Input for pulse, external stop. - Input for empty tank signal. <p data-bbox="225 1695 349 1722">Technical:</p> <table data-bbox="225 1727 991 2022" style="width: 100%; border: none;"> <tr> <td>Type key:</td> <td>DDE 15-4 P-PVC/V/C-X-31U7U7BG</td> </tr> <tr> <td>Max. Flow:</td> <td>3.963 US gal/hour</td> </tr> <tr> <td>Min flow:</td> <td>15.0 ml/h</td> </tr> <tr> <td>Turn-down ratio:</td> <td>1:1000</td> </tr> <tr> <td>Approvals on nameplate:</td> <td>CE,CSA-US,NSF61,RCM</td> </tr> <tr> <td>Valve type:</td> <td>Standard</td> </tr> <tr> <td>Maximum viscosity at 100 %:</td> <td>50 mPas</td> </tr> <tr> <td>Maximum viscosity in slow mode 50 %:</td> <td>N/A mPas</td> </tr> <tr> <td>Maximum viscosity in slow mode 25 %:</td> <td>N/A mPas</td> </tr> <tr> <td>Accuracy of repeatability:</td> <td>5 %</td> </tr> </table> <p data-bbox="225 2051 344 2078">Materials:</p> <table data-bbox="225 2083 855 2110" style="width: 100%; border: none;"> <tr> <td>Dosing head:</td> <td>PVC (Polyvinyl chloride)</td> </tr> </table>	Type key:	DDE 15-4 P-PVC/V/C-X-31U7U7BG	Max. Flow:	3.963 US gal/hour	Min flow:	15.0 ml/h	Turn-down ratio:	1:1000	Approvals on nameplate:	CE,CSA-US,NSF61,RCM	Valve type:	Standard	Maximum viscosity at 100 %:	50 mPas	Maximum viscosity in slow mode 50 %:	N/A mPas	Maximum viscosity in slow mode 25 %:	N/A mPas	Accuracy of repeatability:	5 %	Dosing head:	PVC (Polyvinyl chloride)
Type key:	DDE 15-4 P-PVC/V/C-X-31U7U7BG																						
Max. Flow:	3.963 US gal/hour																						
Min flow:	15.0 ml/h																						
Turn-down ratio:	1:1000																						
Approvals on nameplate:	CE,CSA-US,NSF61,RCM																						
Valve type:	Standard																						
Maximum viscosity at 100 %:	50 mPas																						
Maximum viscosity in slow mode 50 %:	N/A mPas																						
Maximum viscosity in slow mode 25 %:	N/A mPas																						
Accuracy of repeatability:	5 %																						
Dosing head:	PVC (Polyvinyl chloride)																						

Count	Description
	Valve ball: Ceramic Gasket: FKM Installation: Range of ambient temperature: 32 .. 113 °F Maximum operating pressure: 58.02 psi Installation set: NO Installation type: No installation set Pump inlet: 0.17x 1/4, 1/4x3/8, 3/8x1/2" Pump outlet: 0.17x 1/4, 1/4x3/8, 3/8x1/2" Max. Suction lift during operation: 19.7 ft Max. Suction lift during priming: 9.84 ft Liquid: Pumped liquid: Water Liquid temperature range: 14 .. 113 °F Selected liquid temperature: 68 °F Density: 62.29 lb/ft³ Electrical data: Maximum power input - P1: 19 W Main frequency: 60 Hz Rated voltage: 1 x 100-240 V Enclosure class (IEC 34-5): IP65 / NEMA 4X Length of cable: 4.92 ft Type of cable plug: USA, Canada Inrush current: 25A at 230V for 2ms Controls: Control variant: P Level control: YES Pulse control: YES Ext. Stop input: YES Output relays: YES Others: Net weight: 4.41 lb Gross weight: 6.62 lb Custom tariff no.: 8413.50.0050



Company name:

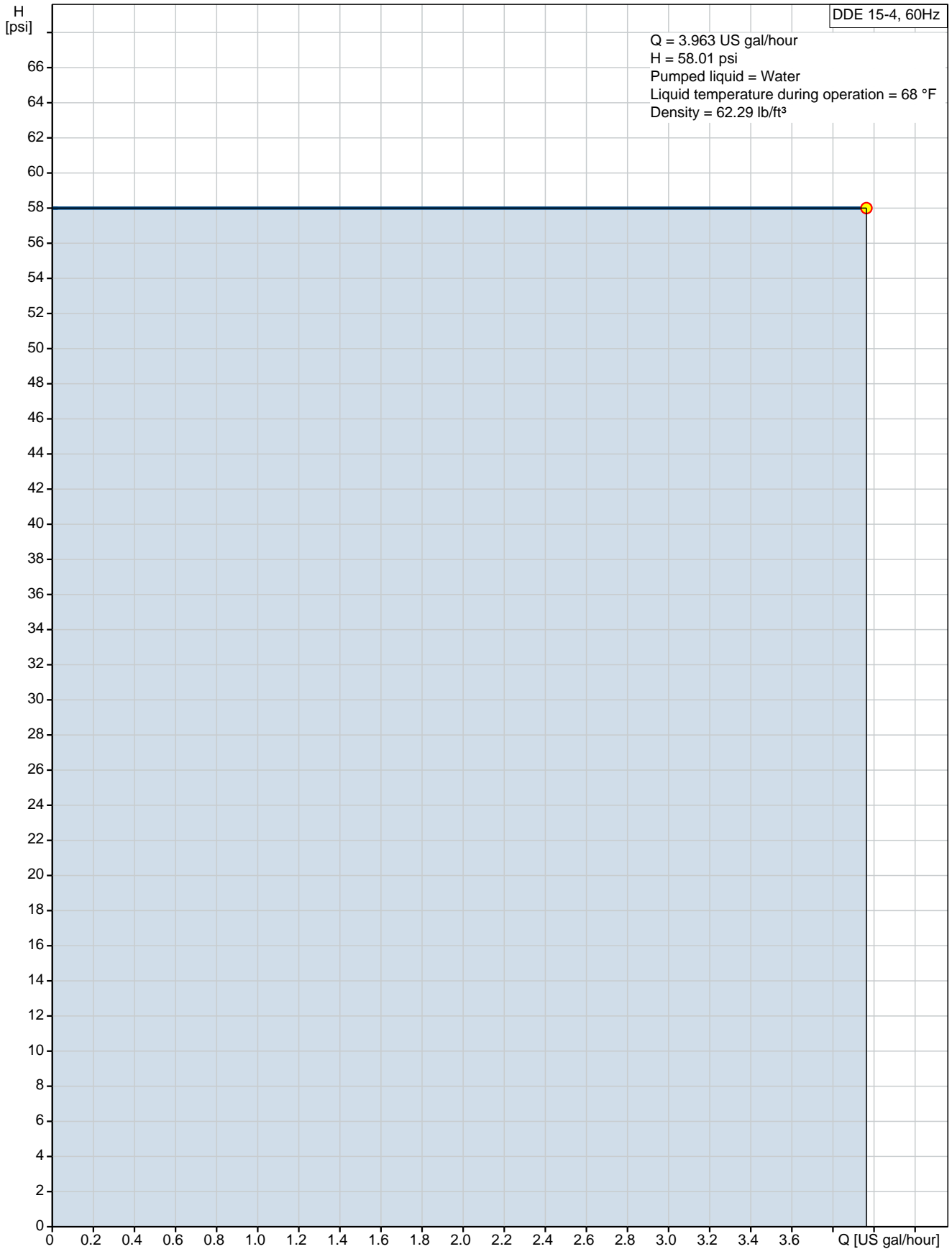
Created by:

Phone:

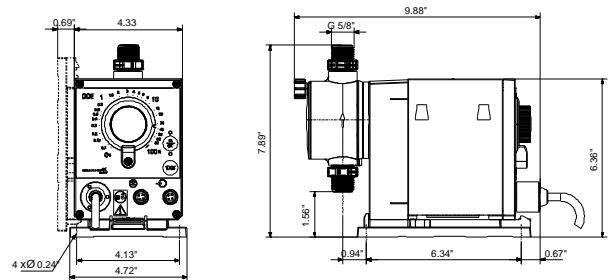
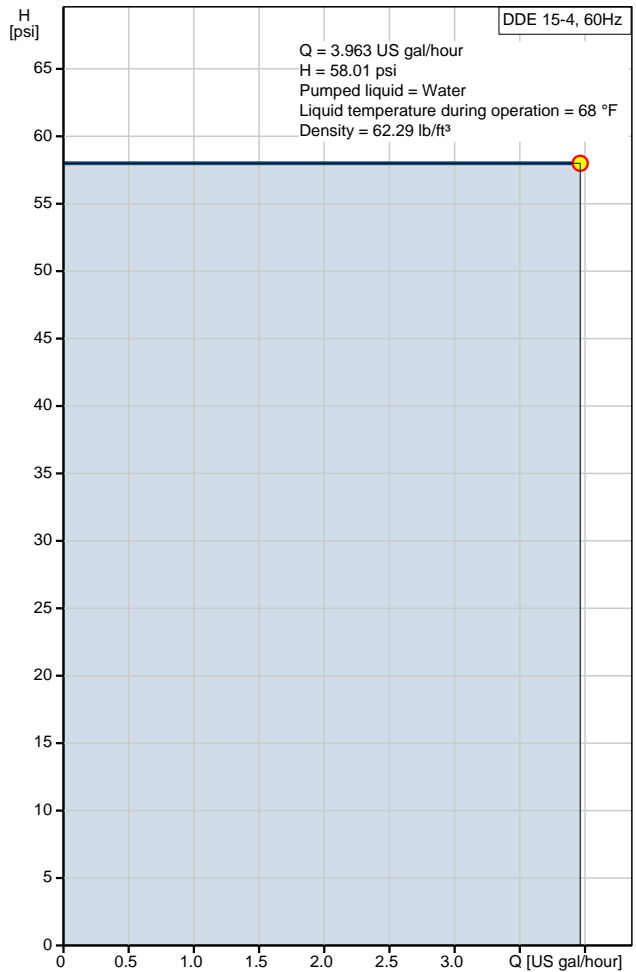
Date:

4/11/2019

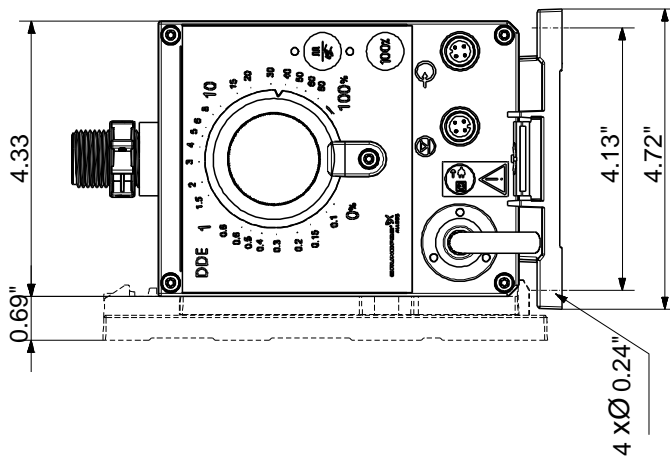
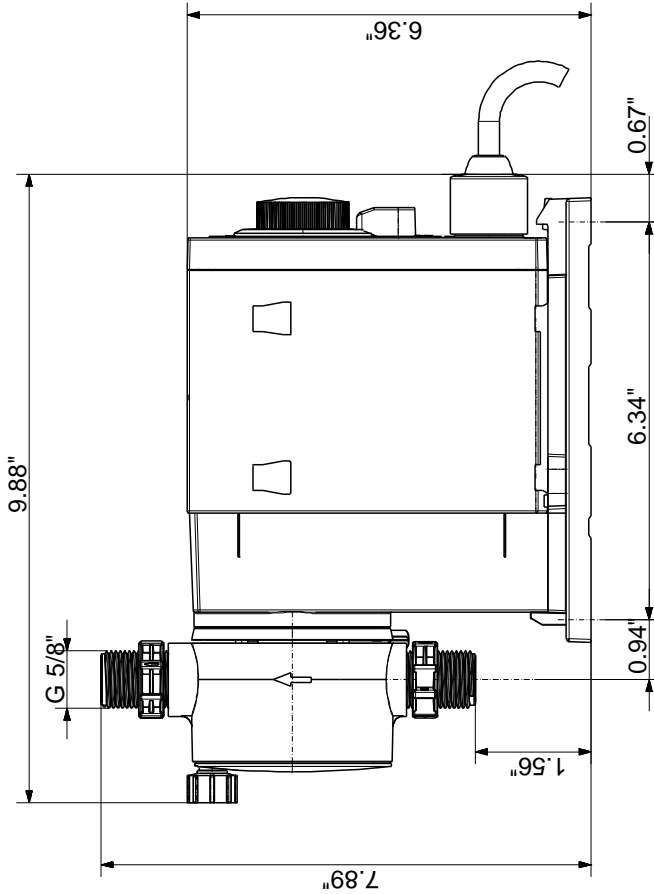
97721165 DDE 15-4 60 Hz



Description	Value
General information:	
Product name:	DDE 15-4
Product No.:	97721165
EAN:	5710622713053
Technical:	
Type key:	DDE 15-4 P-PVC/N/C-X-31U7U7BG
Max. Flow:	3.963 US gal/hour
Min flow:	15.0 ml/h
Turn-down ratio:	1:1000
Approvals on nameplate:	CE, CSA-US, NSF61, RCM
Valve type:	Standard
Maximum viscosity at 100 %:	50 mPas
Maximum viscosity in slow mode 50 %:	N/A mPas
Maximum viscosity in slow mode 25 %:	N/A mPas
Accuracy of repeatability:	5 %
Materials:	
Dosing head:	PVC (Polyvinyl chloride)
Valve ball:	Ceramic
Gasket:	FKM
Installation:	
Range of ambient temperature:	32 .. 113 °F
Maximum operating pressure:	58.02 psi
Installation set:	NO
Installation type:	No installation set
Pump inlet:	0.17x 1/4, 1/4x3/8, 3/8x1/2"
Pump outlet:	0.17x 1/4, 1/4x3/8, 3/8x1/2"
Max. Suction lift during operation:	19.7 ft
Max. Suction lift during priming:	9.84 ft
Liquid:	
Pumped liquid:	Water
Liquid temperature range:	14 .. 113 °F
Selected liquid temperature:	68 °F
Density:	62.29 lb/ft ³
Electrical data:	
Maximum power input - P1:	19 W
Main frequency:	60 Hz
Rated voltage:	1 x 100-240 V
Enclosure class (IEC 34-5):	IP65 / NEMA 4X
Length of cable:	4.92 ft
Type of cable plug:	USA, Canada
Inrush current:	25A at 230V for 2ms
Controls:	
Control variant:	P
Level control:	YES
Pulse control:	YES
Ext. Stop input:	YES
Output relays:	YES
Others:	
Net weight:	4.41 lb
Gross weight:	6.62 lb
Custom tariff no.:	8413.50.0050



97721165 DDE 15-4 60 Hz



Note! All units are in [in] unless otherwise stated.
 Disclaimer: This simplified dimensional drawing does not show all details.



Company name:

Created by:

Phone:

Date: 4/11/2019

Order Data:

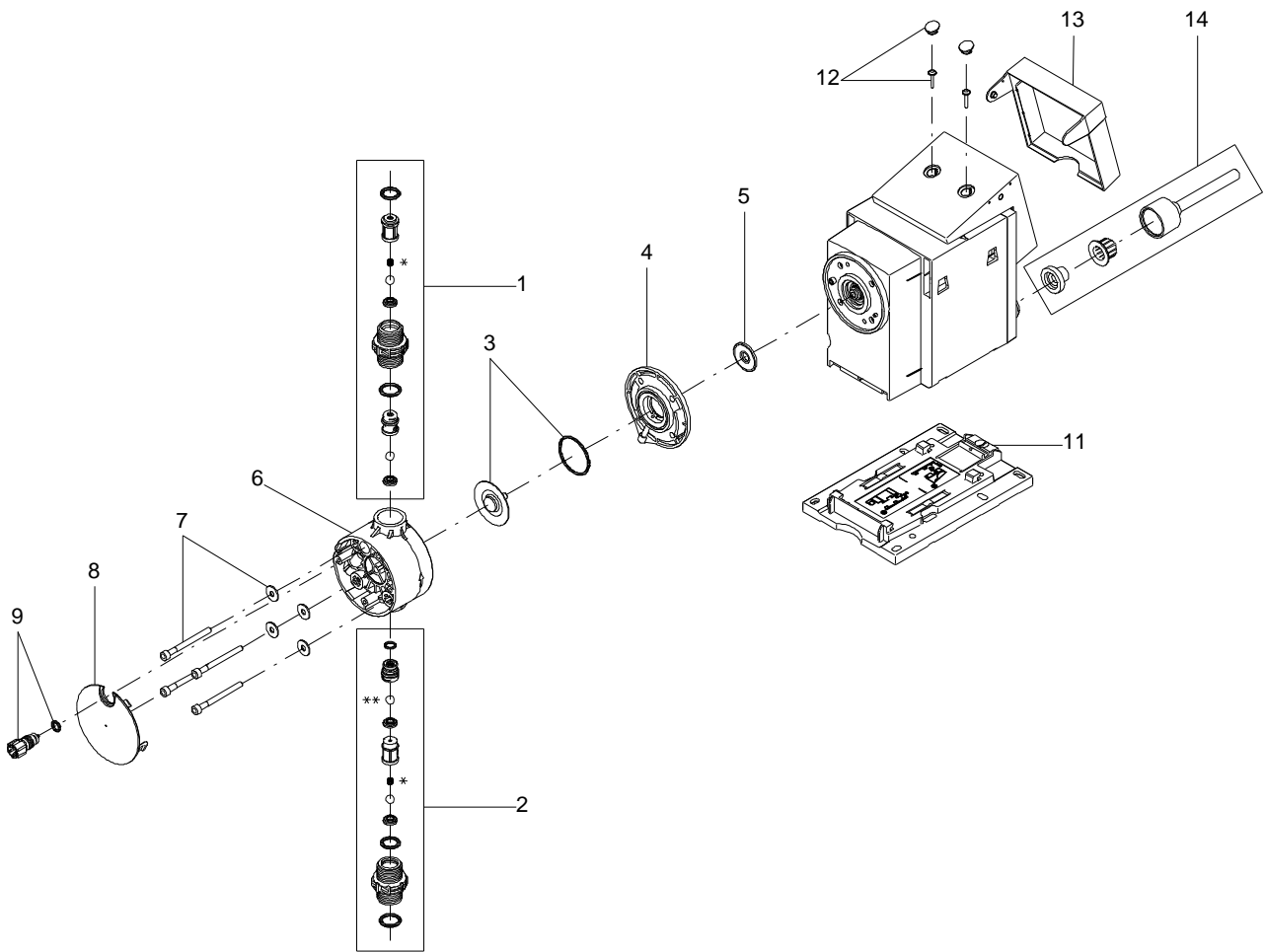
Product name: DDE 15-4

Amount: 1

Product No.: 97721165

Total: Price on request

Exploded view



166x112

Parts list DDE 15-4, Prod number 97721165

Produced After 1132 (production year and week number)

Position	Description	Annotation	Classification data	Part No.	Count	Unit
- 1	Discharge valve cpl.				1	pcs
	O-ring				1	
	O-ring				1	
	Valve seat				1	
	Ball				2	
	Valve housing				1	
	Ball cage				1	
	Ball cage				1	
- 2	Suction valve cpl.				1	pcs
	O-ring				1	
	O-ring				1	
	O-ring				1	
	Valve seat				2	
	Ball				2	
	Valve housing				1	
	Ball cage				1	
	Ball cage				1	
3	O-ring				1	pcs
3	Diaphragm				1	pcs
4	Pump head flange				1	pcs
5	Diaphragm				1	pcs
6	Dosing Head				1	pcs
7	Washer				4	pcs
7	Hex socket head cap screw				4	pcs
8	Pump head cover				1	pcs
- 9	Venting valve				1	pcs
	O-ring				1	
	Spindle				1	
11	Base plate				1	pcs
14	Power cable				1	pcs