



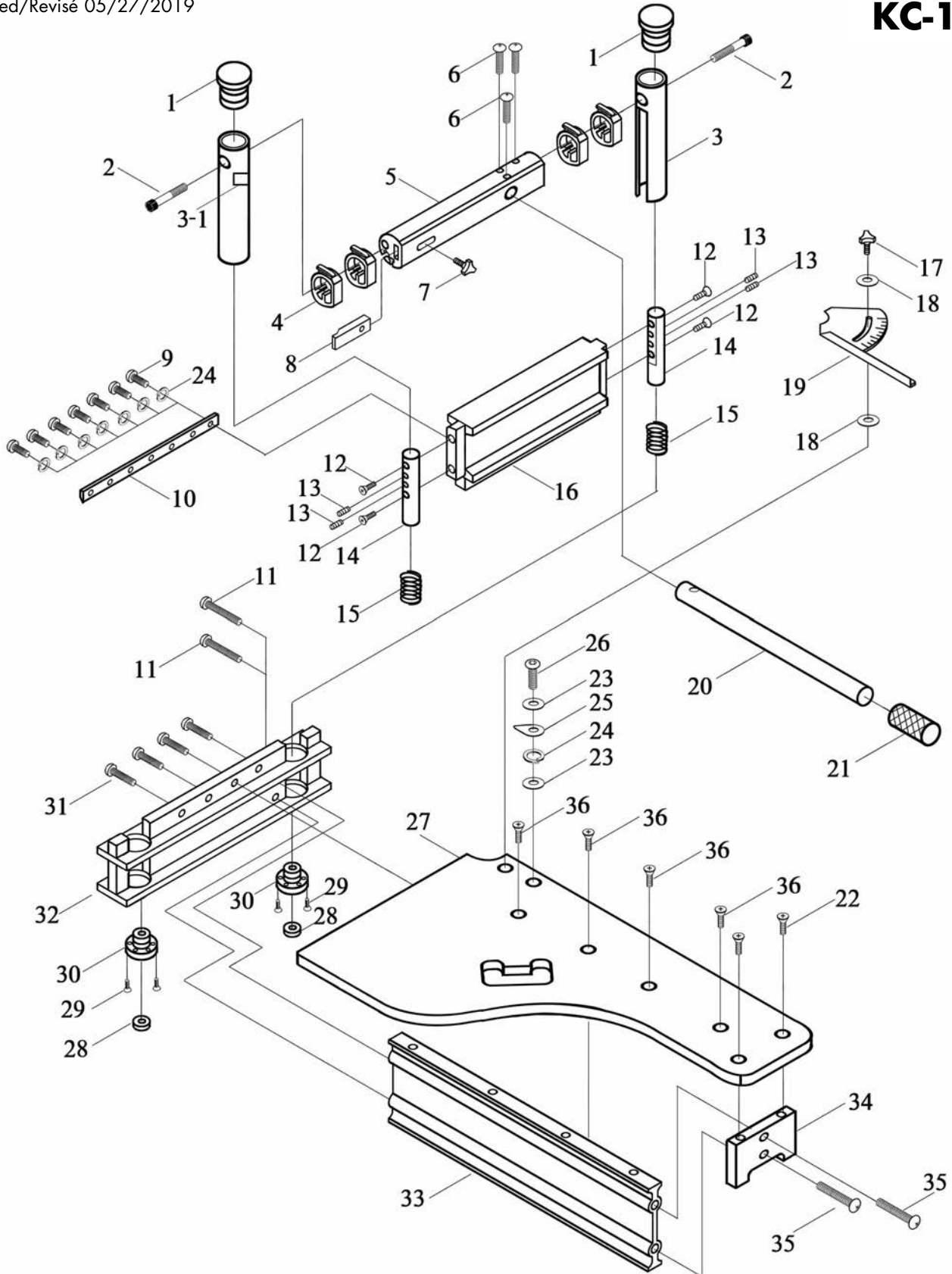
Service Manual / Manuel de Service

13" Professional Laminate Flooring Cutter Coupe de Sol Stratifié Professionnel de 13"



Revised/Revisé 05/27/2019

KC-13LCT





Parts Pricing List / Liste de Prix des Pièces

KC-13LCT

Diag.	Order # Com.	English Description	Description Française	Qty./Qté.	Price/Prix
1	36-00130010	PLASTIC END CAP	CAPUCHON EN PLASTIQUE	2	\$4.75
2	36-00130020	CAP SCREW	BOULON A TETE CYLINDRIQUE	2	\$3.14
3	36-00130030	GUIDE SLEEVE	MANCHON DE GUIDE	1	\$9.58
3-1	36-00130031	GUIDE SLEEVE WITH NOTCH	MANCHON DU GUIDE AVEC ENCOCHE	1	\$9.58
4	36-00130040	CAM	CAME	4	\$5.78
5	36-00130050	CAMSHAFT	ARBRE A CAME	1	\$28.91
6	36-00130060	ROUND HD "ALLEN" SCREW	VIS A TETE RONDE "ALLEN"	3	\$3.78
7	36-00130070	STOP KNOB	BOUTON D'ARRET	1	\$4.75
8	36-00130080	STOP BLOCK	BLOC D'ARRET	1	\$7.97
9	36-00130090	ROUND HD "ALLEN" SCREW	VIS A TETE RONDE "ALLEN"	7	\$3.46
10	KW-133	13" HSS KNIFE	COUTEAU AHV DE 13"	1	-
11	36-00130110	PAN HD SCREW	VIS A TETE BOMBEE	2	\$4.93
12	36-00130120	COUNTERSUNK SCREW	VIS A TETE FRAISEE	4	\$3.16
13	36-00130130	SET SCREW	VIS SANS TETE	4	\$1.92
14	36-00130140	GUIDING ROD	TIGE DE GUIDE	2	\$6.36
15	36-00130150	SPRING	RESSORT	2	\$5.78
16	36-00130160	UPPER BODY	CORPS SUPERIEUR	1	\$29.94
17	36-00130170	KNOB	BOUTON	1	\$4.75
18	36-00130180	WASHER	RONDELLE	2	\$1.56
19	36-00130190	ANGLE GAUGE	JAUGE D'ANGLE	1	\$6.36
20	36-00130200	HANDLE	MANCHE	1	\$13.29
21	36-00130210	HANDLE GRIP	POIGNEE DU MANCHE	1	\$7.39
22	36-00130220	COUNTERSUNK HD SCREW	VIS A TETE FRAISEE	2	\$3.43
23	36-00130230	WASHER	RONDELLE	2	\$1.56
24	36-00130240	SPRING WASHER	RONDELLE A RESSORT	8	\$2.50
25	36-00130250	ANGLE POINTER	INDICATEUR D'ANGLE	1	\$3.14
26	36-00130260	ROUND HD "ALLEN" SCREW	VIS A TETE RONDE "ALLEN"	1	\$3.98
27	36-00130270	WORK TABLE	TABLE DE TRAVAIL	1	\$41.79
28	36-00130280	RUBBER FOOT	PIED EN CAOUTCHOUC	2	\$3.14
29	36-00130290	COUNTERSUNK HD SCREW	VIS A TETE FRAISEE	4	\$1.92
30	36-00130300	ADJUST PLATE	PLAQUE D'AJUSTEMENT	2	\$7.39
31	36-00130310	PAN HD SCREW	VIS A TETE BOMBEE	4	\$3.24
32	36-00130320	LOWER BODY	CORPS INFERIEUR	1	\$32.69
33	36-00130330	WORK TABLE SUPPORT	SUPPORT DE LA TABLE DE TRAVAIL	1	\$32.69
34	36-00130340	WORK TABLE FOOT	PIED DE LA TABLE DE TRAVAIL	1	\$3.53
35	36-00130350	ROUND HD PHILLIPS SCREW	VIS A TETE RONDE "PHILLIPS"	2	\$2.56
36	36-00130360	COUNTERSUNK HD SCREW	VIS A TETE FRAISEE	4	\$2.69
	36-0013MBIL	BILINGUAL MANUAL KC-13LCT	MANUEL BILINGUE KC-13LCT	1	\$24.17