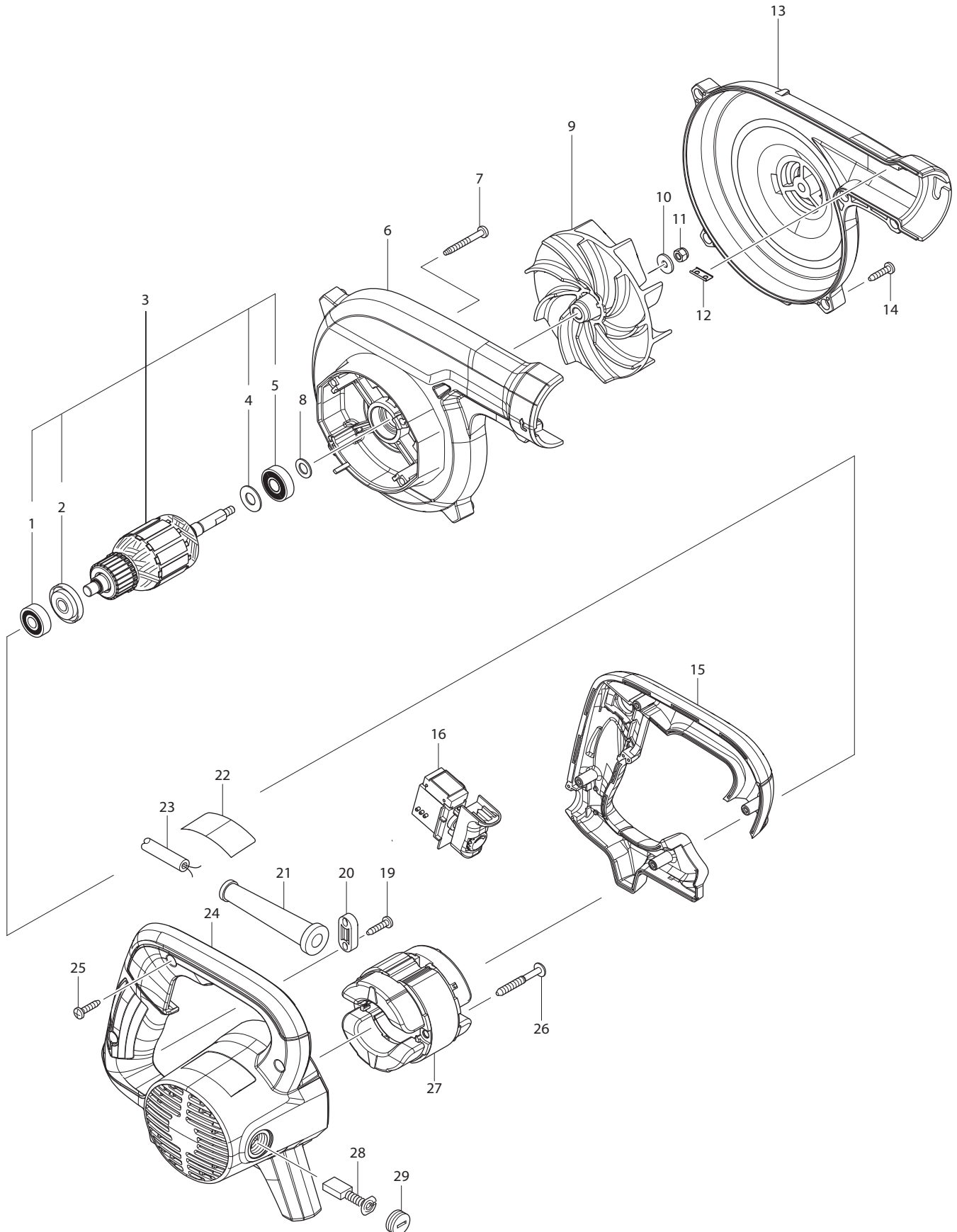




12 - 2013

UB1103

BLOWER 6.8A VARIABLE SPEED



Item No	Type	Part No	Description	Qty	Unit
1		210044-4	BALL BEARING 608DDW	1	PC.
2		681644-1	INSULATION WASHER	1	PC.
3		513901-8	ARMATURE ASS'Y 115V	1	PC.
	INC.		Item. 1,2,4,5		
4		267237-4	FLAT WASHER 9	1	PC.
5		211491-2	BALL BEARING 609DDW	1	PC.
6		142292-6	FAN HOUSING COMPLETE	1	PC.
7		266351-3	TAPPING SCREW 4X35	4	PC.
8		267240-5	FLAT WASHER 8	1	PC.
9		240148-8	FAN 110	1	PC.
10		267294-2	FLAT WASHER 5	1	PC.
11		252103-8	HEX. LOCK NUT M5-8	1	PC.
12		345998-7	SET PLATE	1	PC.
13		454702-4	FAN COVER	1	PC.
14		266326-2	TAPPING SCREW 4X18	5	PC.
15		454700-8	HANDLE COVER	1	PC.
16		651298-8	SWITCH TG813AB-1	1	PC.
19		266326-2	TAPPING SCREW 4X18	2	PC.
20		687123-7	STRAIN RELIEF	1	PC.
21		682569-2	CORD GUARD 8-85	1	PC.
22		815D55-4	NAME PLATE F/UB1103	1	PC.
23		664891-9	POWER SUPPLY CORD W/PLUG 2P-18-2.5M,SJ	1	PC.
24		142291-8	MOTOR HOUSING COMPLETE	1	PC.
	INC.	643708-9	BRUSH HOLDER 5-11	2	PC.
25		266326-2	TAPPING SCREW 4X18	4	PC.
26		266211-9	TAPPING SCREW 5X40	2	PC.
27		594631-0	FIELD ASS'Y 115V	1	PC.
	INC.	654020-2	RING TERMINAL	2	PC.
	INC.	654501-6	CONNECTOR P-1.25	2	PC.
28		194996-6	CARBON BRUSH CB-303 2/SET	1	SET
29		643755-0	HOLDER CAP	2	PC.
C01		875441-7	CARTON F/UB1103	1	PC.
E01		802H91-3	CAUTION LABEL	1	PC.
<u>ACCESSORIES</u>		- See Catalogue or visit www.makita.ca for more accessories -			
A01		123245-4	NOZZLE ASS'Y	1	PC.
	INC.	454703-2	JOINT	1	PC.
A02		123241-2	DUST BAG ASSEMBLY	1	PC.
	INC.	410602-8	FASTENER	1	PC.
A03		192236-6	ANCHOR NOZZLE	1	PC.
A04		196729-5	BENDING LONG NOZZLE SET	1	PC.