



U.S. Tsubaki Power Transmission, LLC

301 E. Marquardt Dr.

Wheeling, IL 60090

Phone: 847.459.9500 or 800.323.7790

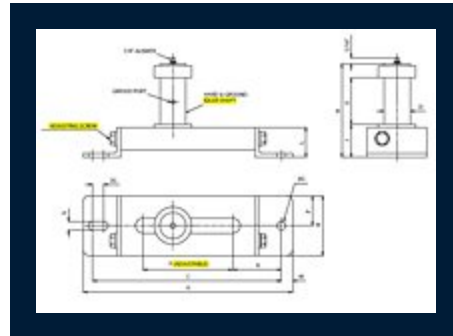
Fax: 847.459.9515

Email: sales@ustsubaki.com

Website: www.ustsubaki.com

ITEM # #1-B, CHAIN TENSIONERS

All dimensions are nominal values and for reference only



Specifications

A	9.000 in
B	2.000 in
C	8.125 in
D	0.875 in
E	1.750 in
F	4.500 in
G	0.344 in
2G	0.500 in
H	4.000 in

J	1.625 in
K	1.750 in
L	1.500 in
M	0.500 in
P	1.000 in
Weight	2.500 lb
Suggested Chain¹	#40,50,60

¹ Single-strand chain. For multiple-strand chain, use larger tensioner.