



U.S. Tsubaki Power Transmission, LLC
 301 E. Marquardt Dr.
 Wheeling, IL 60090

Phone: 847.459.9500 or 800.323.7790

Fax: 847.459.9515

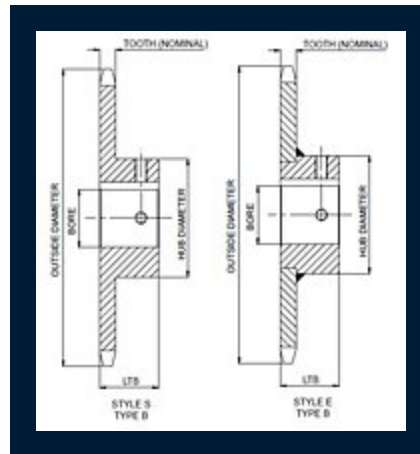
Email: sales@ustsubaki.com

Website: www.ustsubaki.com

ITEM # 40B13FP, NO. 40 - 1/2" PITCH - FINISHED BORE SPROCKETS

No. 40, B Style, .875" Finished Bore

All dimensions are nominal values and for reference only



[Specifications](#) | [Chain Technical Data](#) | [Sprocket Diameters](#)

Specifications

Hub Diameter	1.563 in
LTB	0.875 in
Style	B
No. Teeth	13
Finished Bore Diameter	0.875 in
Max. Bore	1.063 in
Weight	0.450 lb

Tooth Nominal Width	0.284 in
----------------------------	----------

Hardened Teeth	Yes
-----------------------	-----

Chain Technical Data

Pitch	0.500 in
--------------	----------

Chain Size	40
-------------------	----

Sprocket Diameters

Outside Diameter	2.330 in
-------------------------	----------

Pitch Diameter	2.089 in
-----------------------	----------

Caliper Diameter	1.761 in
-------------------------	----------