



U.S. Tsubaki Power Transmission, LLC
 301 E. Marquardt Dr.
 Wheeling, IL 60090

Phone: 847.459.9500 or 800.323.7790

Fax: 847.459.9515

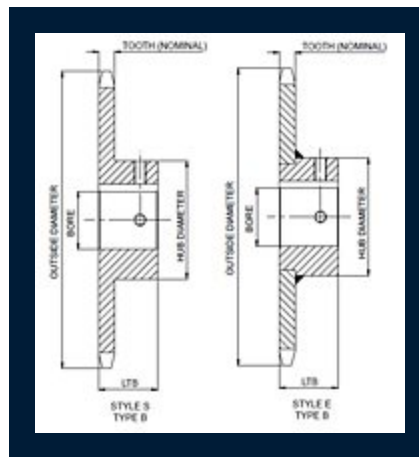
Email: sales@ustsubaki.com

Website: www.ustsubaki.com

ITEM # 50B15F-1C, NO. 50 - 5/8" PITCH - FINISHED BORE SPROCKETS

No. 50, B Style, 1.188" Finished Bore

All dimensions are nominal values and for reference only



[Specifications](#) | [Chain Technical Data](#) | [Sprocket Diameters](#)

Specifications

Hub Diameter	2.375 in
LTB	1.000 in
Style	B
No. Teeth	15
Finished Bore Diameter	1.188 in
Max. Bore	1.500 in

Weight	1.200 lb
---------------	----------

Tooth Nominal Width	0.343 in
----------------------------	----------

Hardened Teeth	Yes
-----------------------	-----

Chain Technical Data

Pitch	0.625 in
--------------	----------

Chain Size	50
-------------------	----

Sprocket Diameters

Outside Diameter	3.320 in
-------------------------	----------

Pitch Sprocket Diameter	3.006 in
--------------------------------	----------

Caliper Diameter	2.590 in
-------------------------	----------