



**U.S. Tsubaki Power Transmission, LLC**  
 301 E. Marquardt Dr.  
 Wheeling, IL 60090

**Phone:** 847.459.9500 or 800.323.7790

**Fax:** 847.459.9515

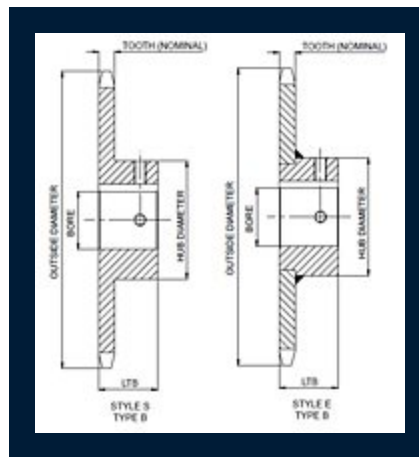
**Email:** [sales@ustsubaki.com](mailto:sales@ustsubaki.com)

**Website:** [www.ustsubaki.com](http://www.ustsubaki.com)

## ITEM # 50B35F-1D, NO. 50 - 5/8" PITCH - FINISHED BORE SPROCKETS

No. 50, B Style, 1.250" Finished Bore

**All dimensions are nominal values and for reference only**



[Specifications](#) | [Chain Technical Data](#) | [Sprocket Diameters](#)

### Specifications

<b>Hub Diameter</b>	3.250 in
<b>LTB</b>	1.250 in
<b>Style</b>	B
<b>No. Teeth</b>	35
<b>Finished Bore Diameter</b>	1.250 in
<b>Max. Bore</b>	2.250 in

<b>Weight</b>	5.300 lb
---------------	----------

<b>Tooth Nominal Width</b>	0.343 in
----------------------------	----------

<b>Hardened Teeth</b>	Yes
-----------------------	-----

### Chain Technical Data

<b>Pitch</b>	0.625 in
--------------	----------

<b>Chain Size</b>	50
-------------------	----

### Sprocket Diameters

<b>Outside Diameter</b>	7.320 in
-------------------------	----------

<b>Pitch Sprocket Diameter</b>	6.973 in
--------------------------------	----------

<b>Caliper Diameter</b>	6.565 in
-------------------------	----------