



U.S. Tsubaki Power Transmission, LLC
 301 E. Marquardt Dr.
 Wheeling, IL 60090

Phone: 847.459.9500 or 800.323.7790

Fax: 847.459.9515

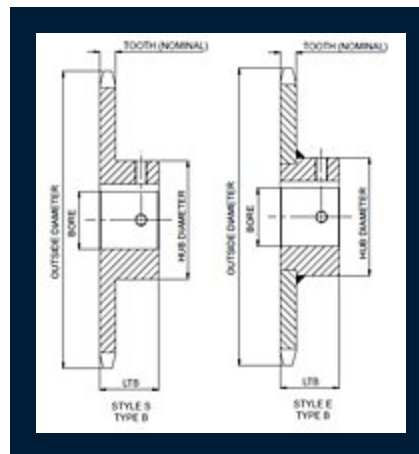
Email: sales@ustsubaki.com

Website: www.ustsubaki.com

ITEM # 60B16F-1L, NO. 60 - 3/4" PITCH - FINISHED BORE SPROCKETS

No. 60, B Style, 1.750" Finished Bore

All dimensions are nominal values and for reference only



[Specifications](#) | [Chain Technical Data](#) | [Sprocket Diameters](#)

Specifications

Hub Diameter	3.063 in
LTB	1.250 in
Style	B
No. Teeth	16
Finished Bore Diameter	1.750 in
Max. Bore	2.000 in
Weight	2.100 lb

Tooth Nominal Width	0.459 in
----------------------------	----------

Hardened Teeth	Yes
-----------------------	-----

Chain Technical Data

Pitch	0.750 in
--------------	----------

Chain Size	60
-------------------	----

Sprocket Diameters

Outside Diameter	4.220 in
-------------------------	----------

Pitch Diameter	3.845 in
-----------------------	----------

Caliper Diameter	3.375 in
-------------------------	----------